



MST

MAX SPEED TECHNOLOGY



ASSEMBLY KIT

RMAX 2.0 S

1/10 SCALE RC RWD HIGH PERFORMANCE DRIFT CAR

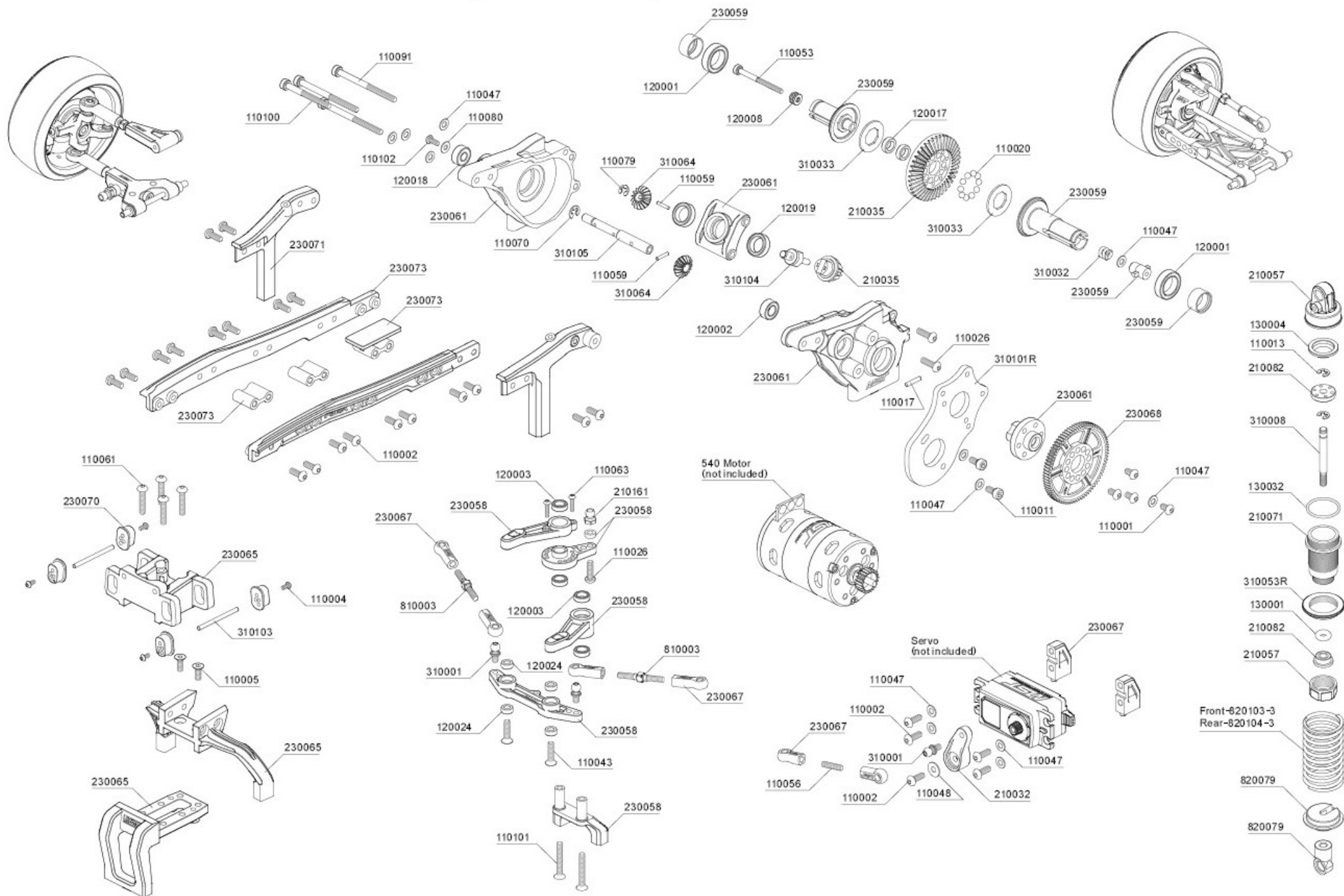
INSTRUCTION MANUAL

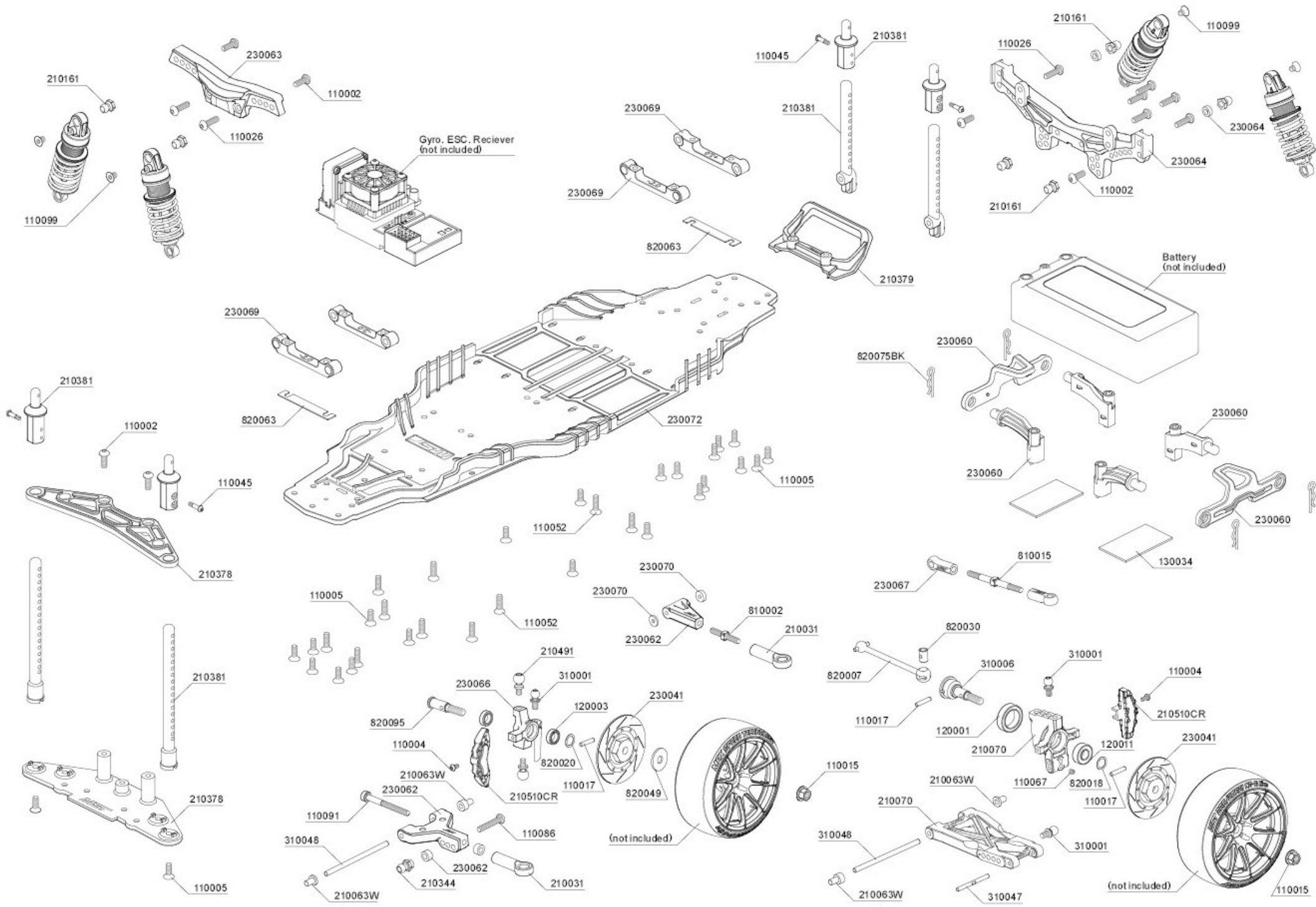
ON ROAD USE ONLY

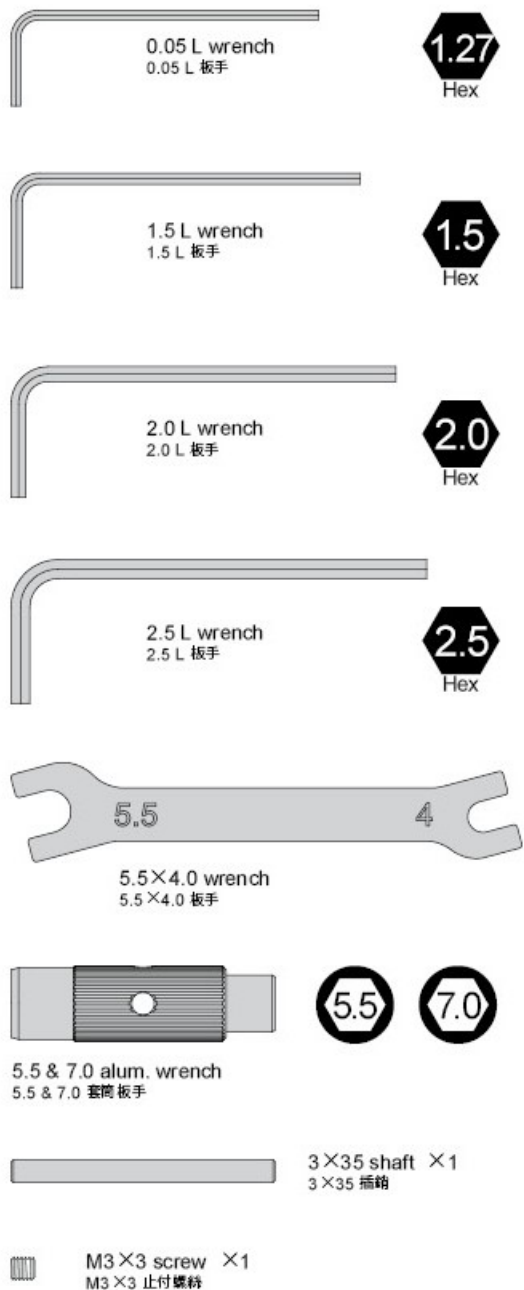
SPECIFICATION: 1:10 Drift Car
WHEELBASE: 257mm
WIDTH: 190mm
DRIVE MODE: RWD
CASTER: Adjustable 6/8/10/12 degrees
CAMBER: Adjustable 0 to -12 degrees
FULL BALL BEARING
HYDRAULIC DAMPER SET

www.rc-mst.com

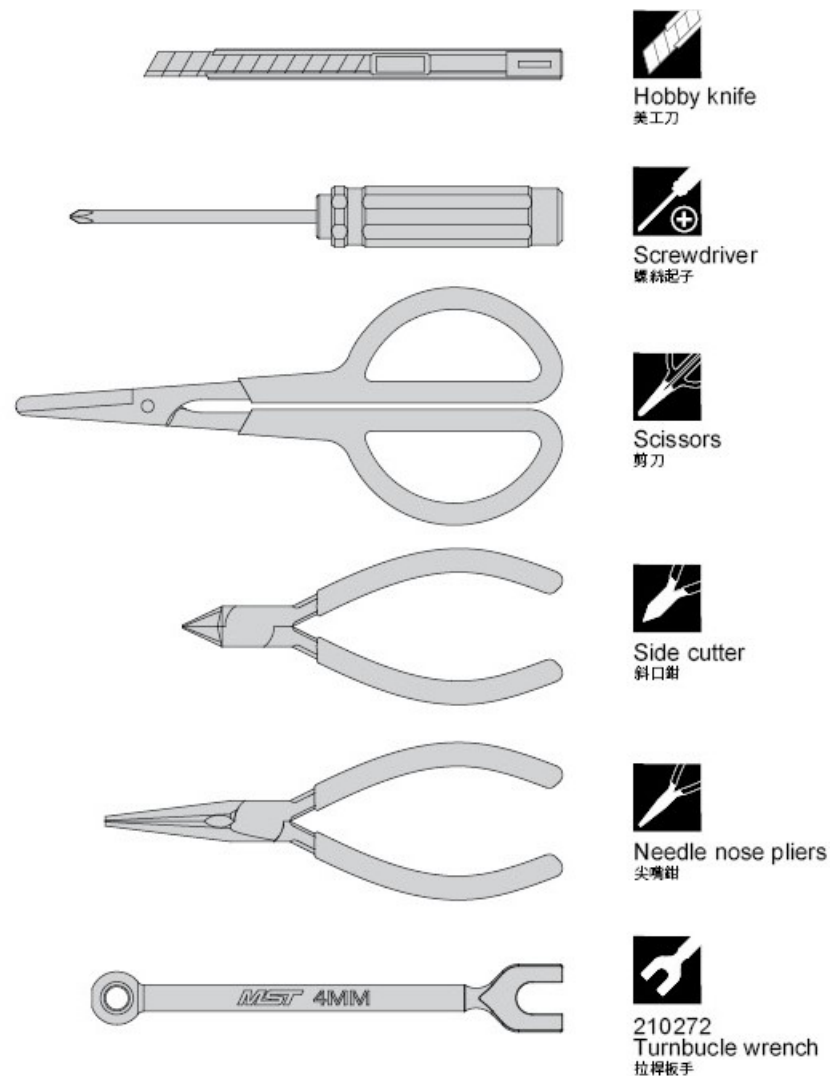
*SPECIFICATION ARE SUBJECT TO CHANGE WITHOUT NOTICE





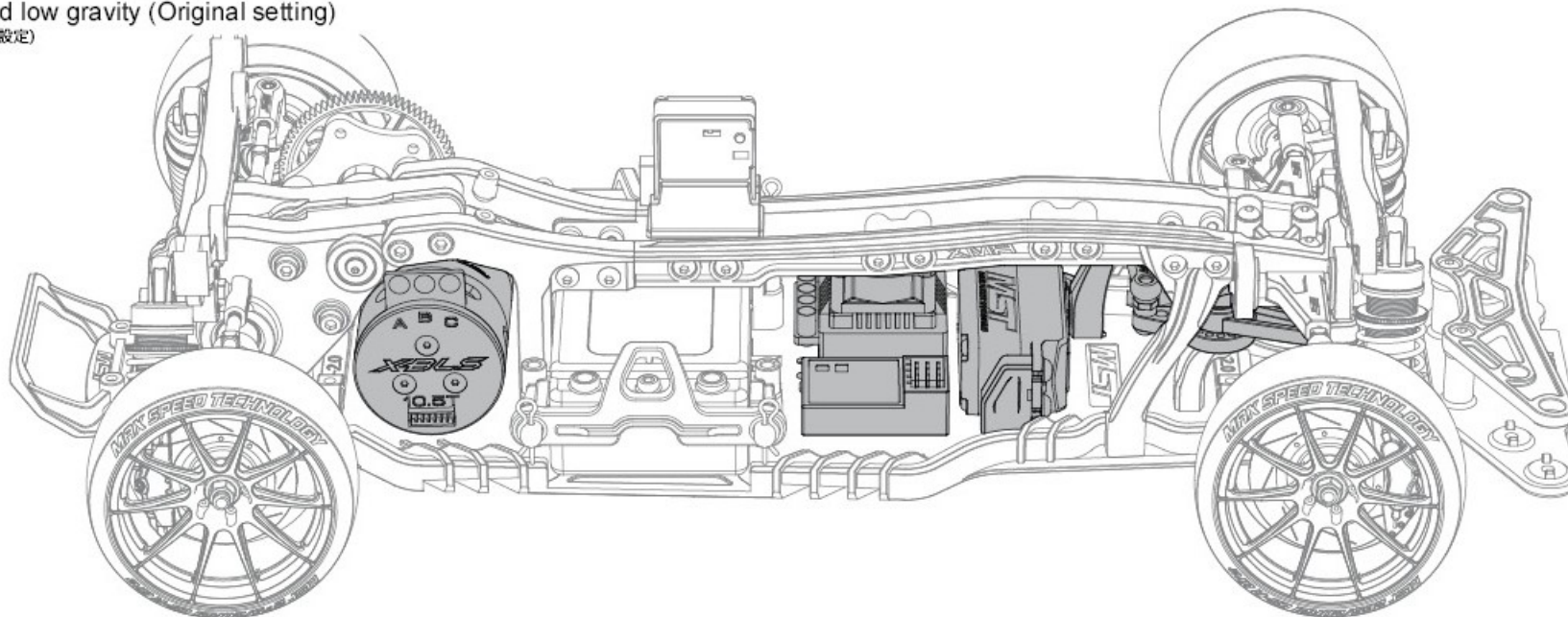


NECESSARY TOOLS FOR ASSEMBLY 工具需求 (NOT INCLUDED IN KIT) [另購]

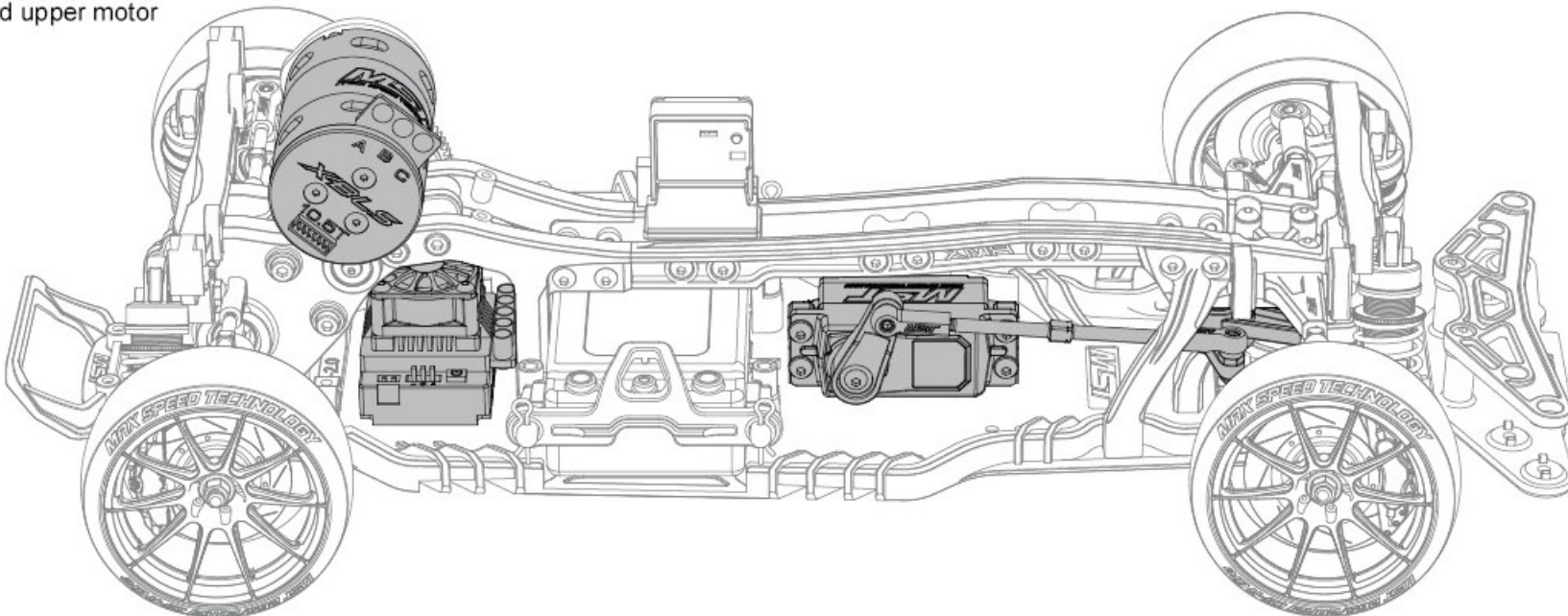


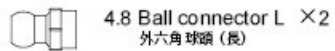
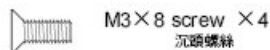
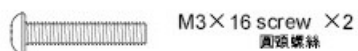
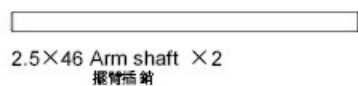
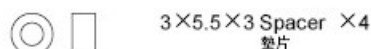
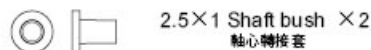
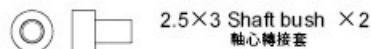
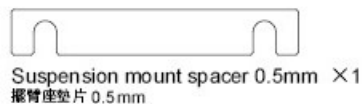
Please follow the assembling figures and instructions closely
 for your [RMX 2.0S] best performance!
 請依照說明書圖示步驟安裝以發揮 [RMX 2.0S] 最好效能!

TYPE A Centered low gravity (Original setting)
低重心 (原廠設定)

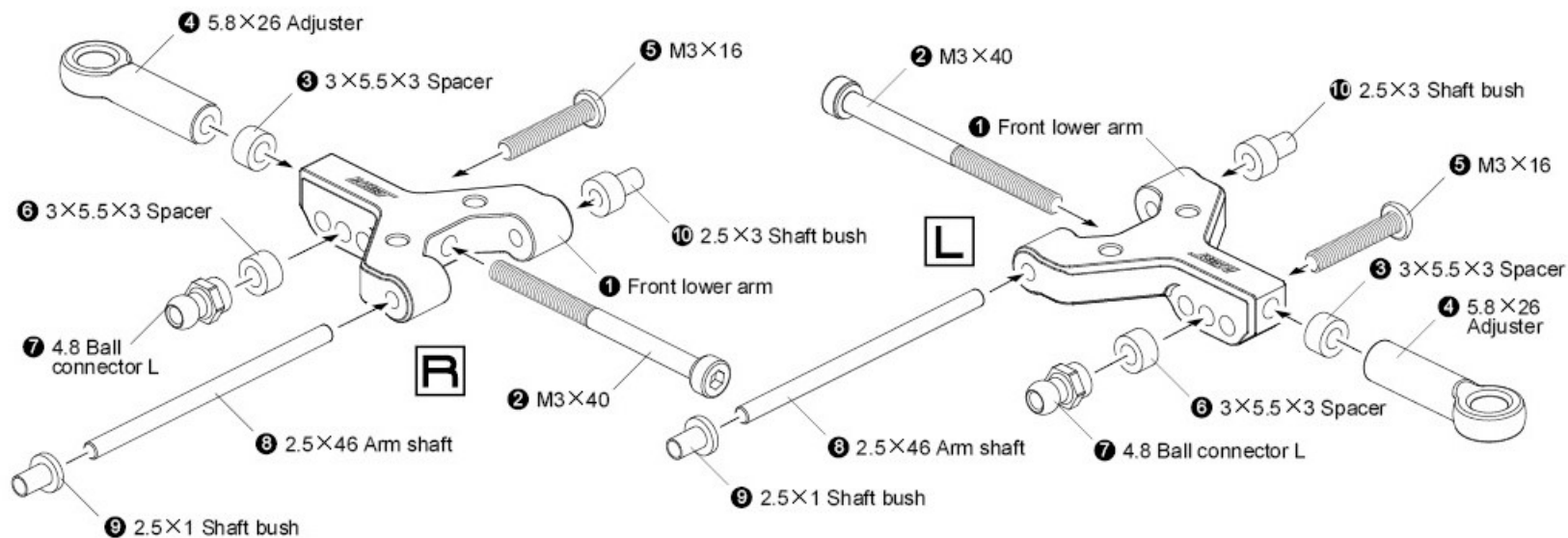


TYPE B Centered upper motor
高重心

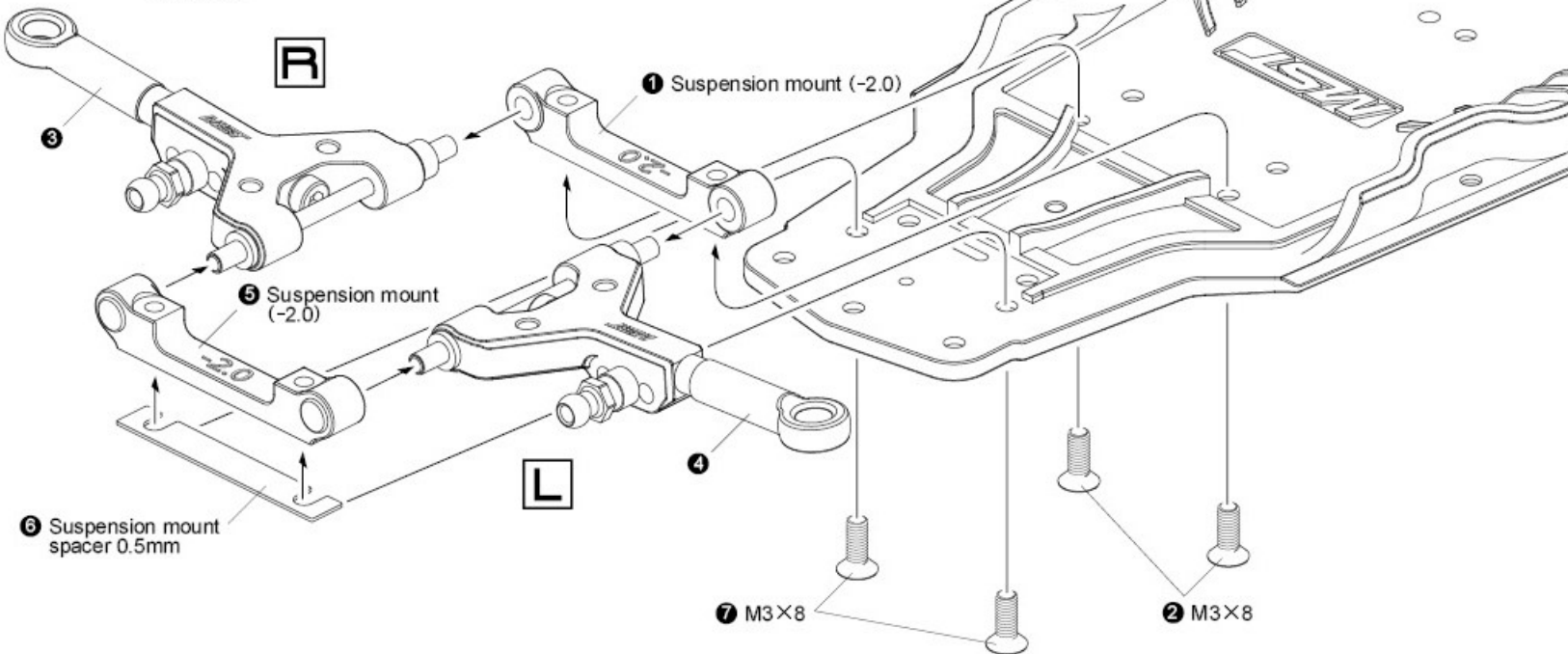


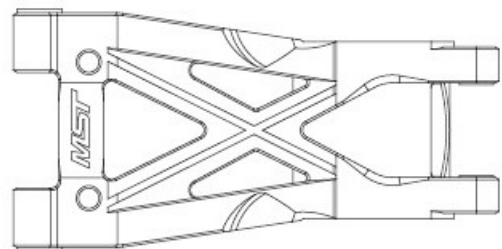


STEP 1 Front lower arm assembly
前下擺臂組裝



STEP 2 Attaching front lower arm
安裝前下擺臂

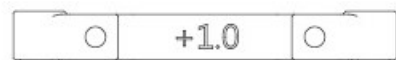




Rear lower arm ×2
後下擺臂



Suspension mount (-2.0) ×1
下擺臂座 (-2.0)



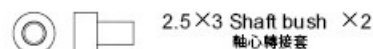
Suspension mount (+1.0) ×1
下擺臂座 (+1.0)



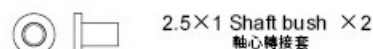
Suspension mount spacer 0.5mm ×1
擺臂座墊片 0.5mm



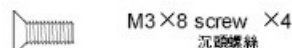
2.5×46 Arm shaft ×2
擺臂插銷



2.5×3 Shaft bush ×2
軸心轉接套



2.5×1 Shaft bush ×2
軸心轉接套

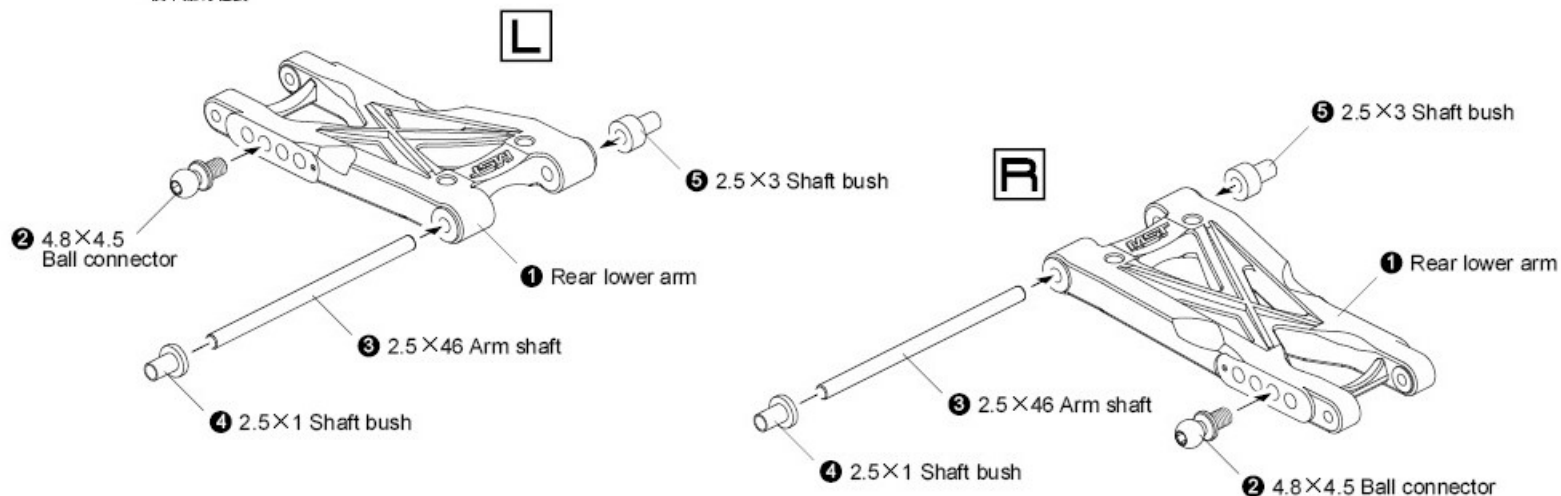


M3×8 screw ×4
沉頭螺絲

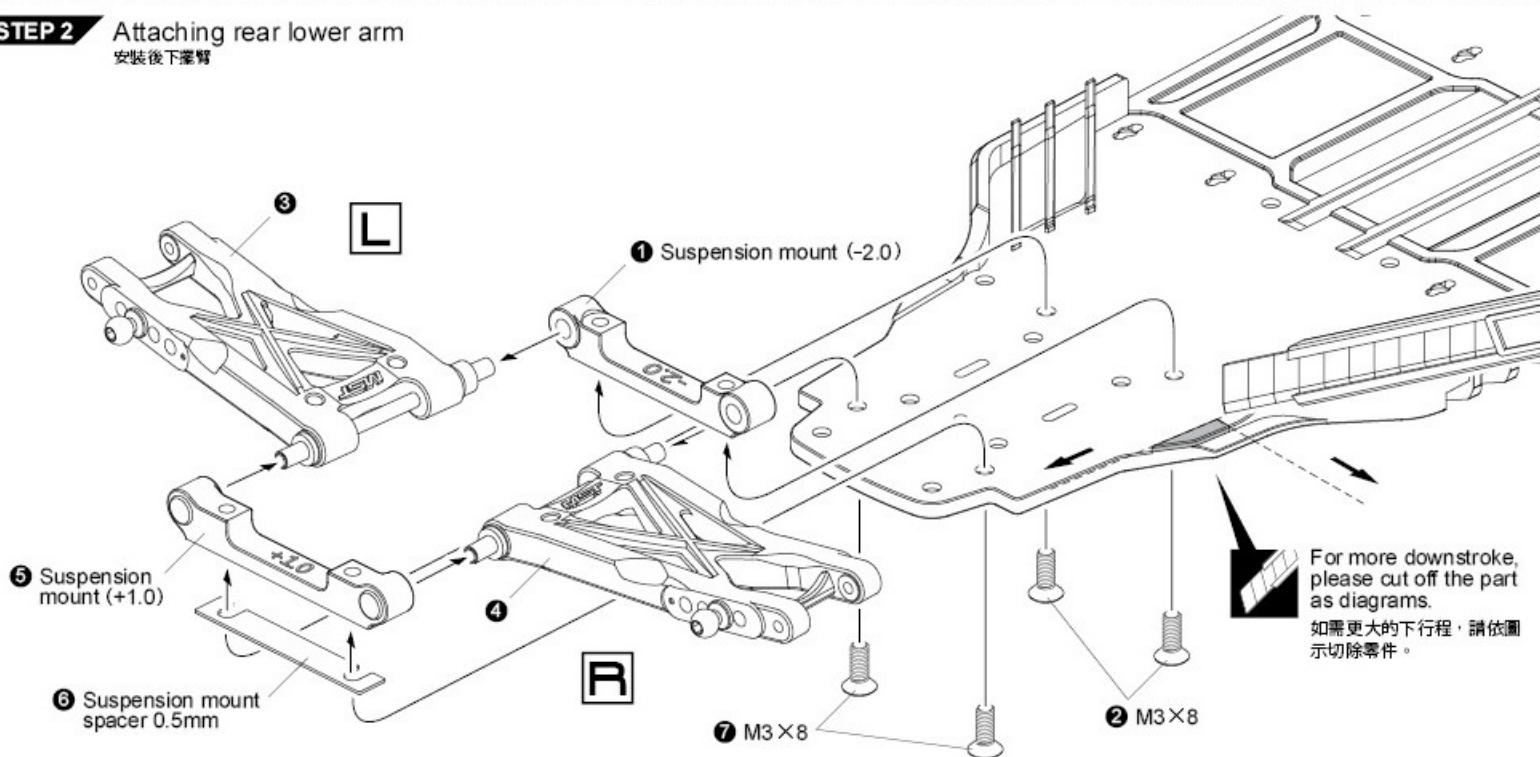


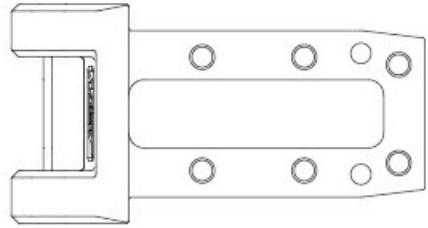
4.8×4.5 Ball connector ×2
球頭螺絲

STEP 1 Rear lower arm assembly
後下擺臂組裝

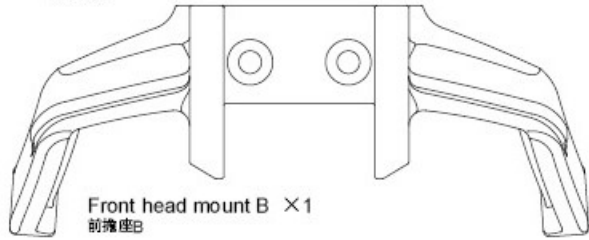


STEP 2 Attaching rear lower arm
安裝後下擺臂

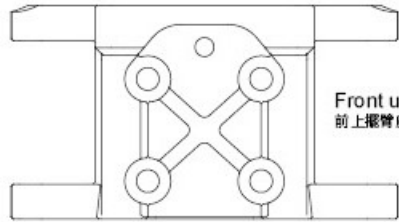




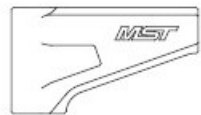
Front head mount A ×1
前搖座A



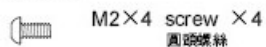
Front head mount B ×1
前搖座B



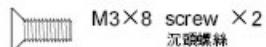
Front upper arm mount ×1
前上擺臂座



Front upper arm ×2
前上擺臂 (Bag 1)



M2×4 screw ×4
圓頭螺絲



M3×8 screw ×2
沉頭螺絲



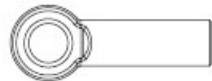
M3×14 screw ×4
圓頭螺絲



M3×20 steel turnbuckle ×2
鋼製可調拉桿



2×28 shaft ×2
插銷



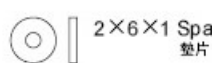
5.8×26 Adjuster ×2
拉桿頭



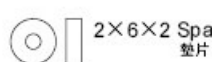
Arm shaft bush A ×2
擺臂襯套 A



Arm shaft bush B ×2
擺臂襯套 B

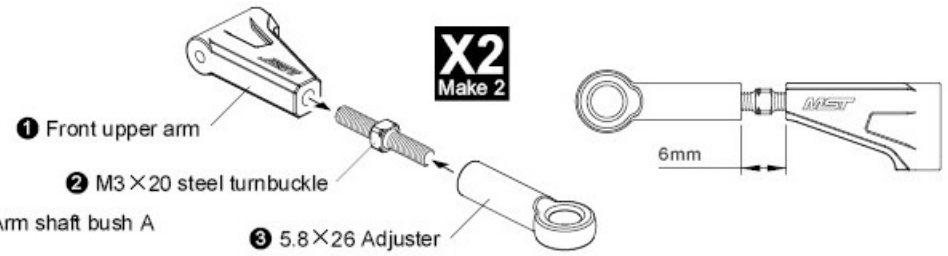
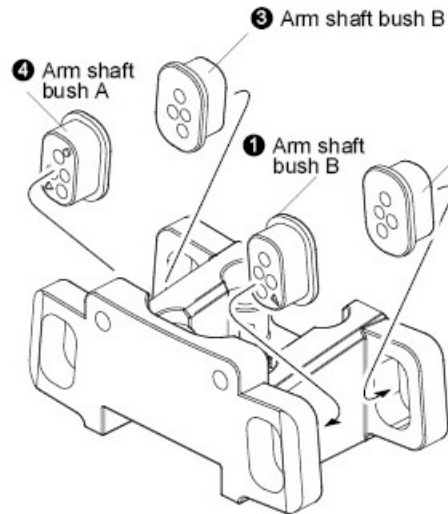


2×6×1 Spacer ×2
墊片



2×6×2 Spacer ×2
墊片

STEP 1 Front upper arm assembly
前上擺臂組裝



1 Front upper arm

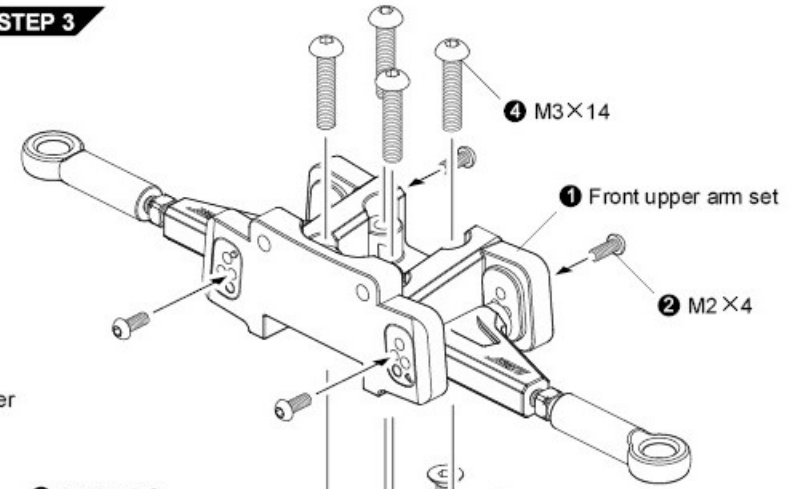
2 M3×20 steel turnbuckle

3 5.8×26 Adjuster

X2
Make 2

6mm

STEP 3

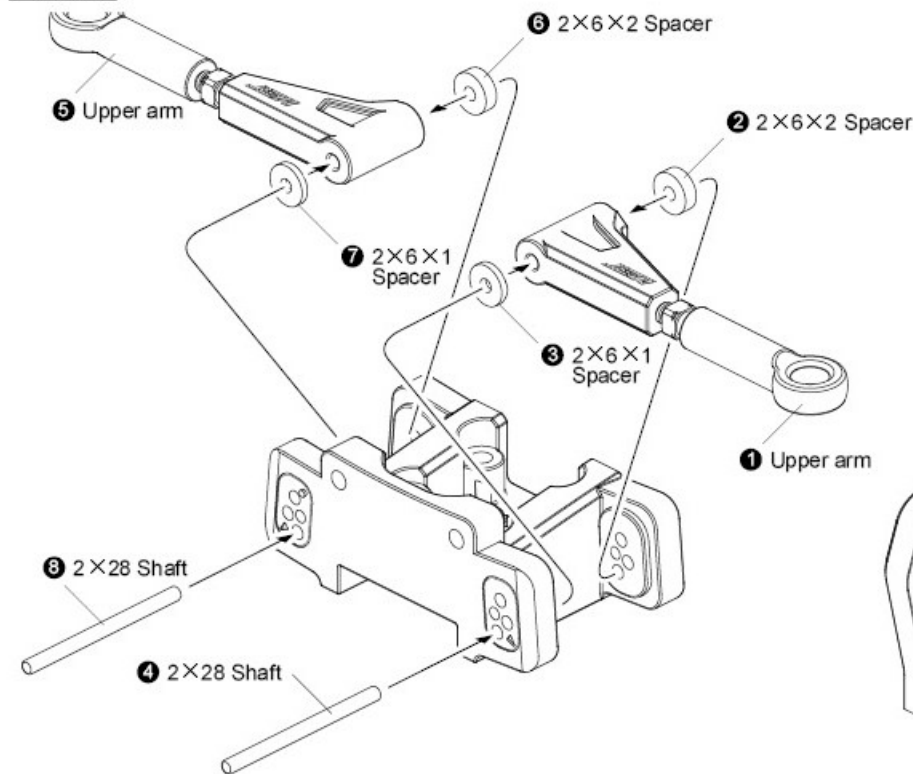


4 M3×14

1 Front upper arm set

2 M2×4

STEP 2



5 Upper arm

6 2×6×2 Spacer

2 2×6×2 Spacer

7 2×6×1 Spacer

3 2×6×1 Spacer

1 Upper arm

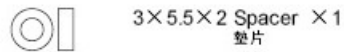
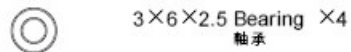
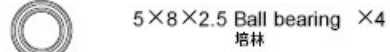
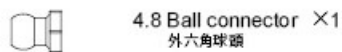
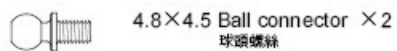
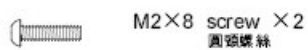
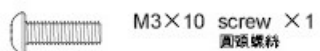
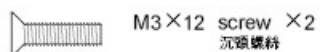
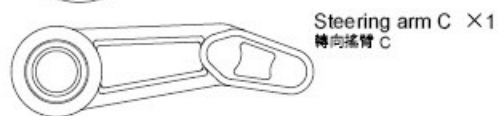
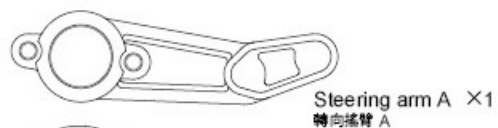
8 2×28 Shaft

4 2×28 Shaft

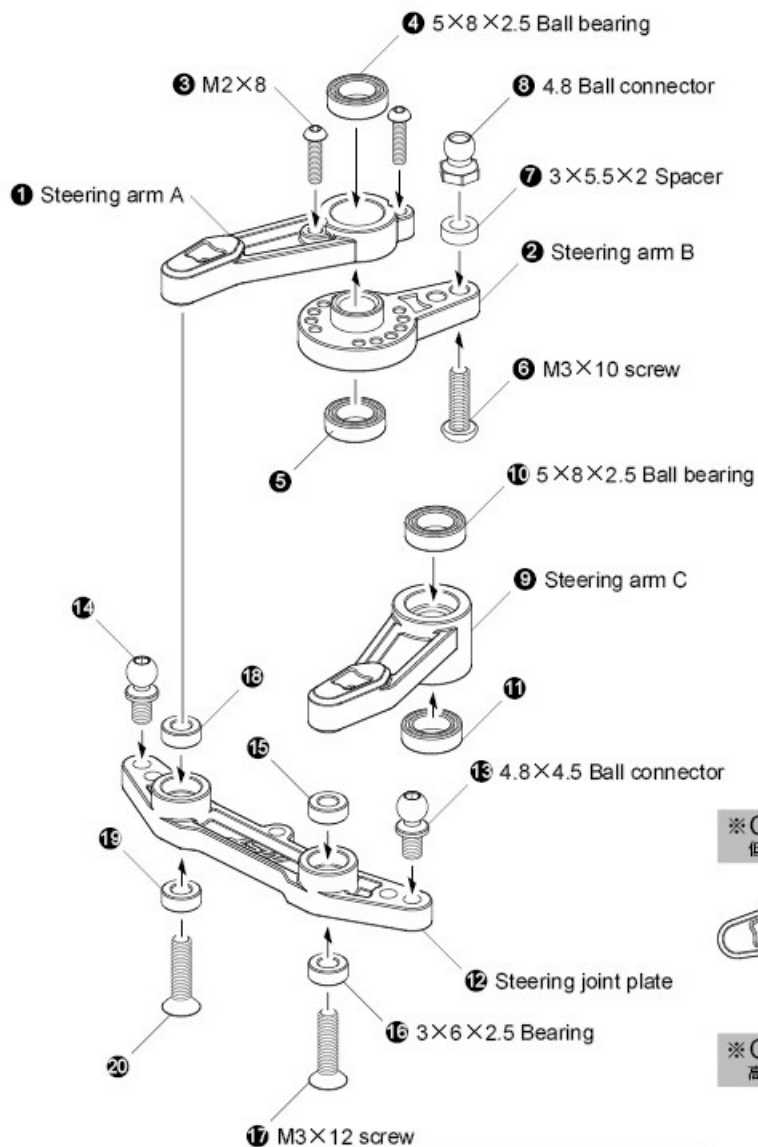
6 M3×8

5 Front upper arm set

3 Front upper arm set

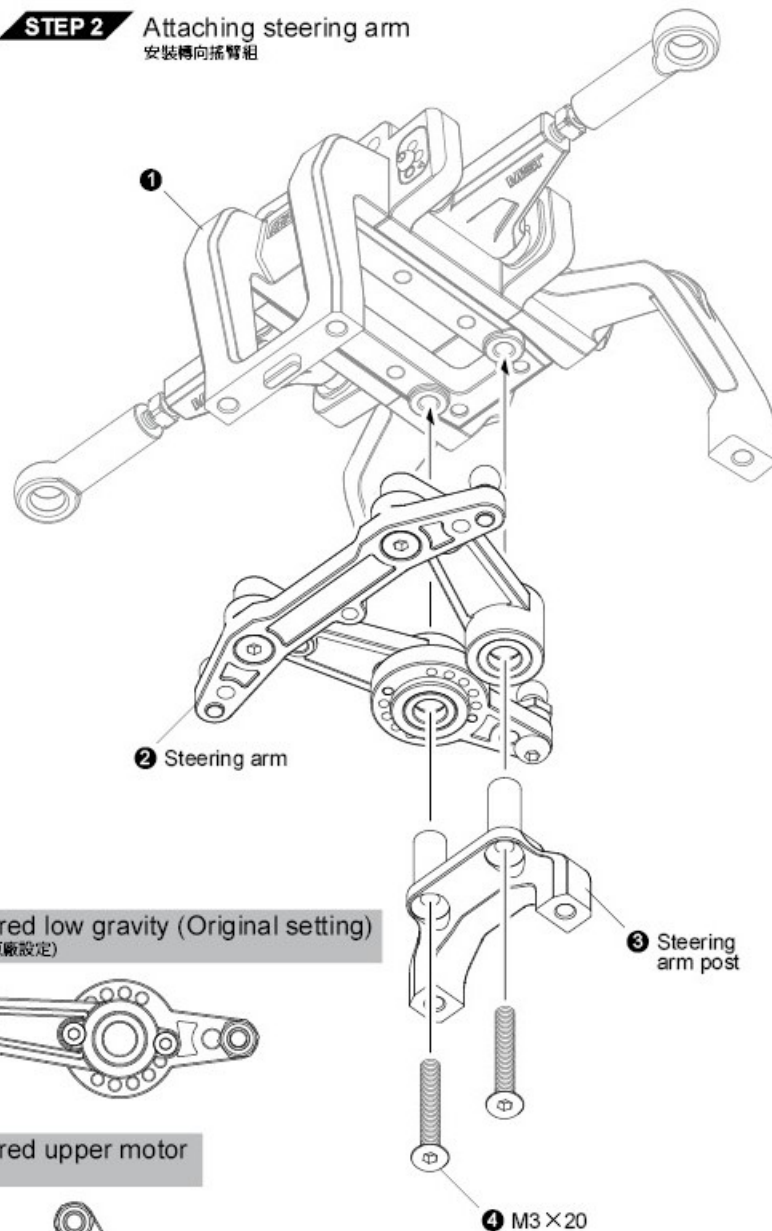


STEP 1 Steering arm assembly
轉向搖臂組裝

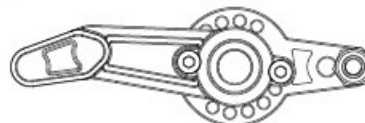


⚠ Tighten M3×12 screw first, and then loose it till the steering joint plate turning freely.
先稍微旋緊M3×12螺絲再放鬆至轉向連接板可自由轉動無阻力。

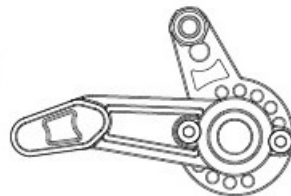
STEP 2 Attaching steering arm
安裝轉向搖臂組

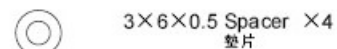
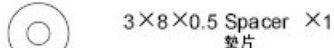
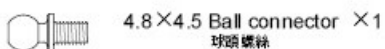
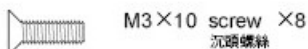
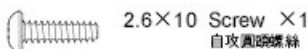
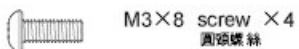
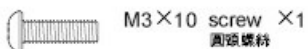
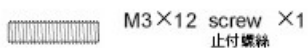
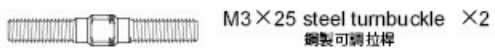
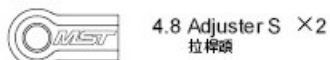


※ Centered low gravity (Original setting)
低重心 (原廠設定)

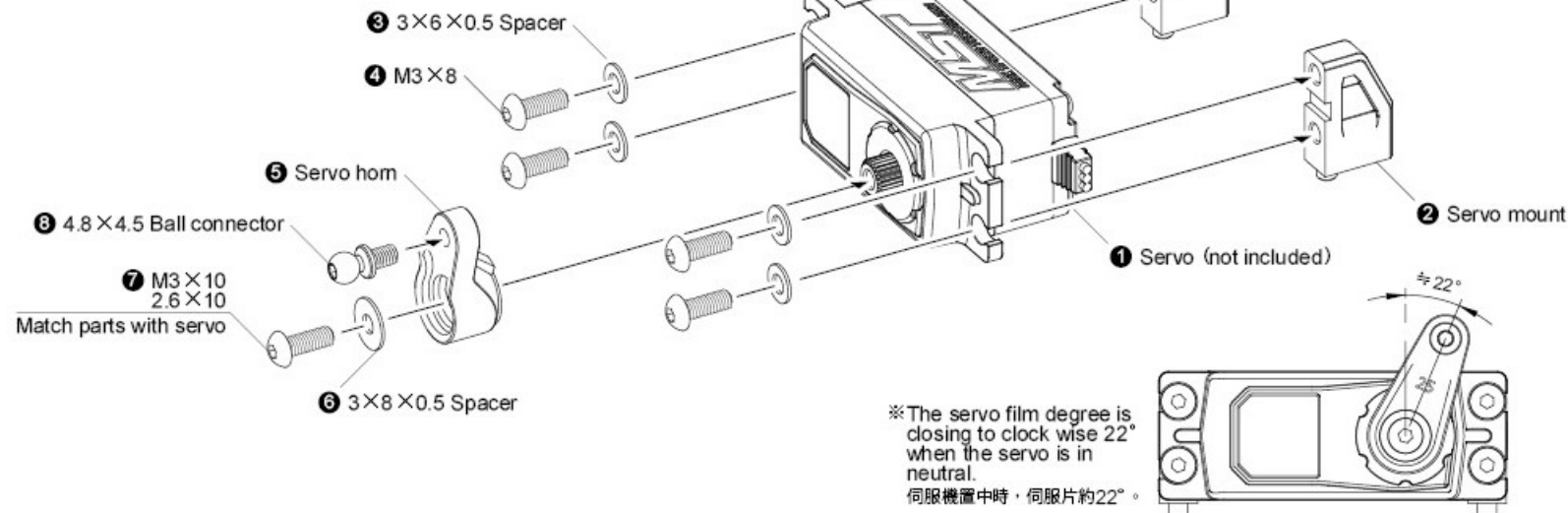


※ Centered upper motor
高重心



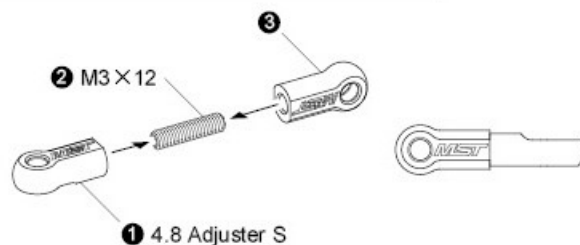


STEP 1 Steering servo assembly
轉向伺服機組裝

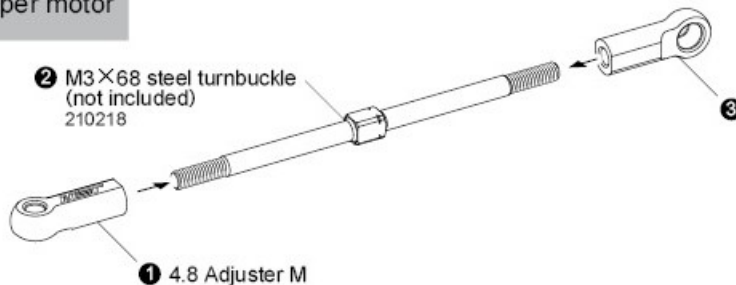


STEP 2 Servo saver turnbuckle assembly
伺服拉桿組裝

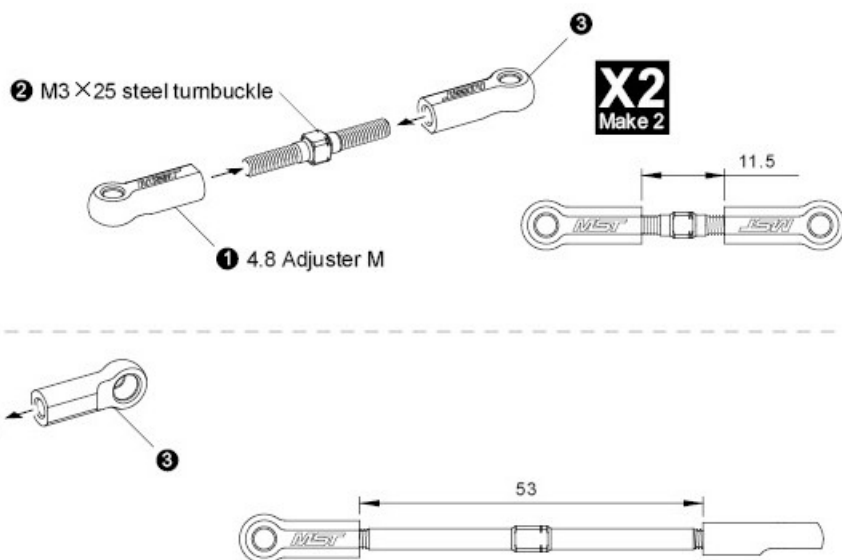
※ Centered low gravity (Original setting)
低重心 (原廠設定)



※ Centered upper motor
高重心

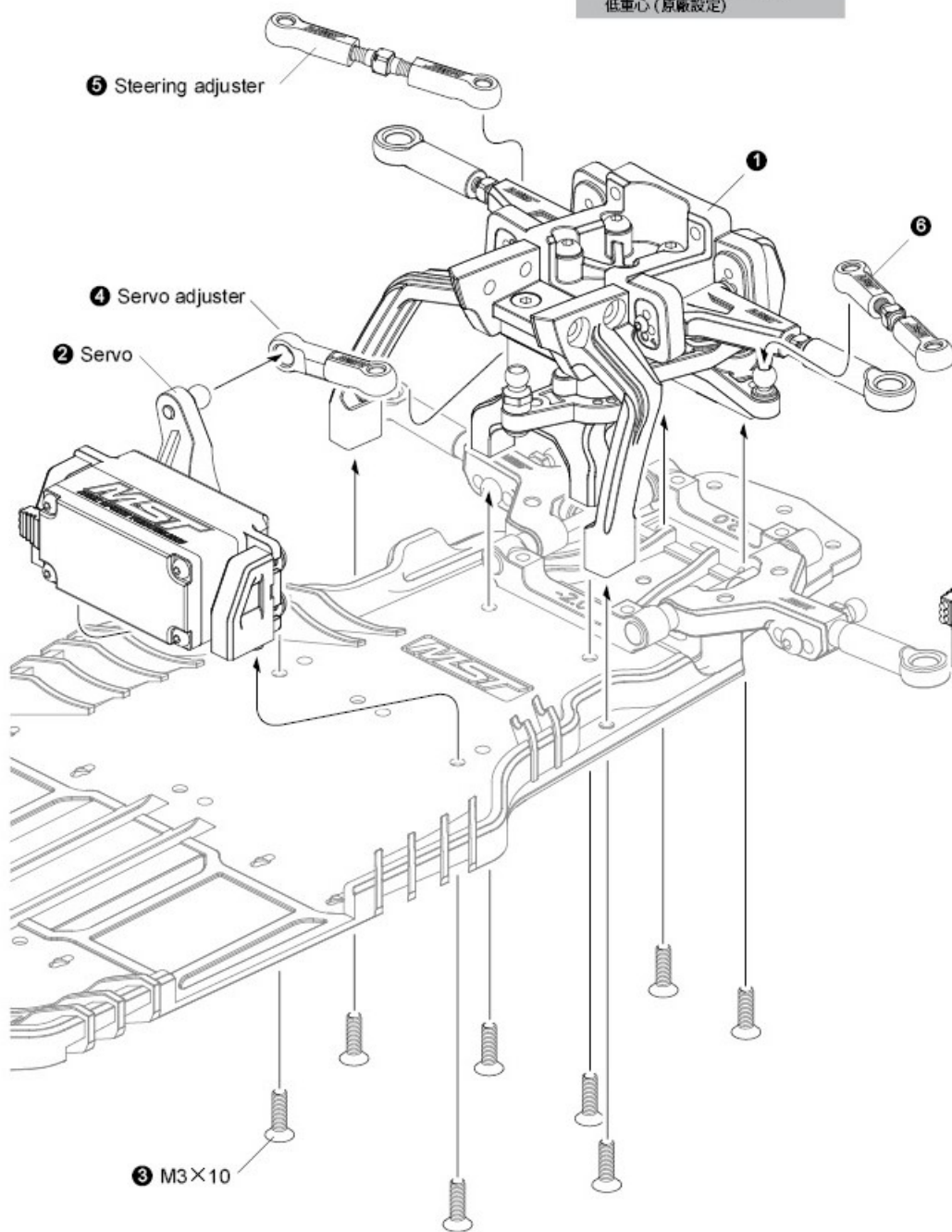


STEP 3 Steering adjuster assembly
轉向拉桿組裝

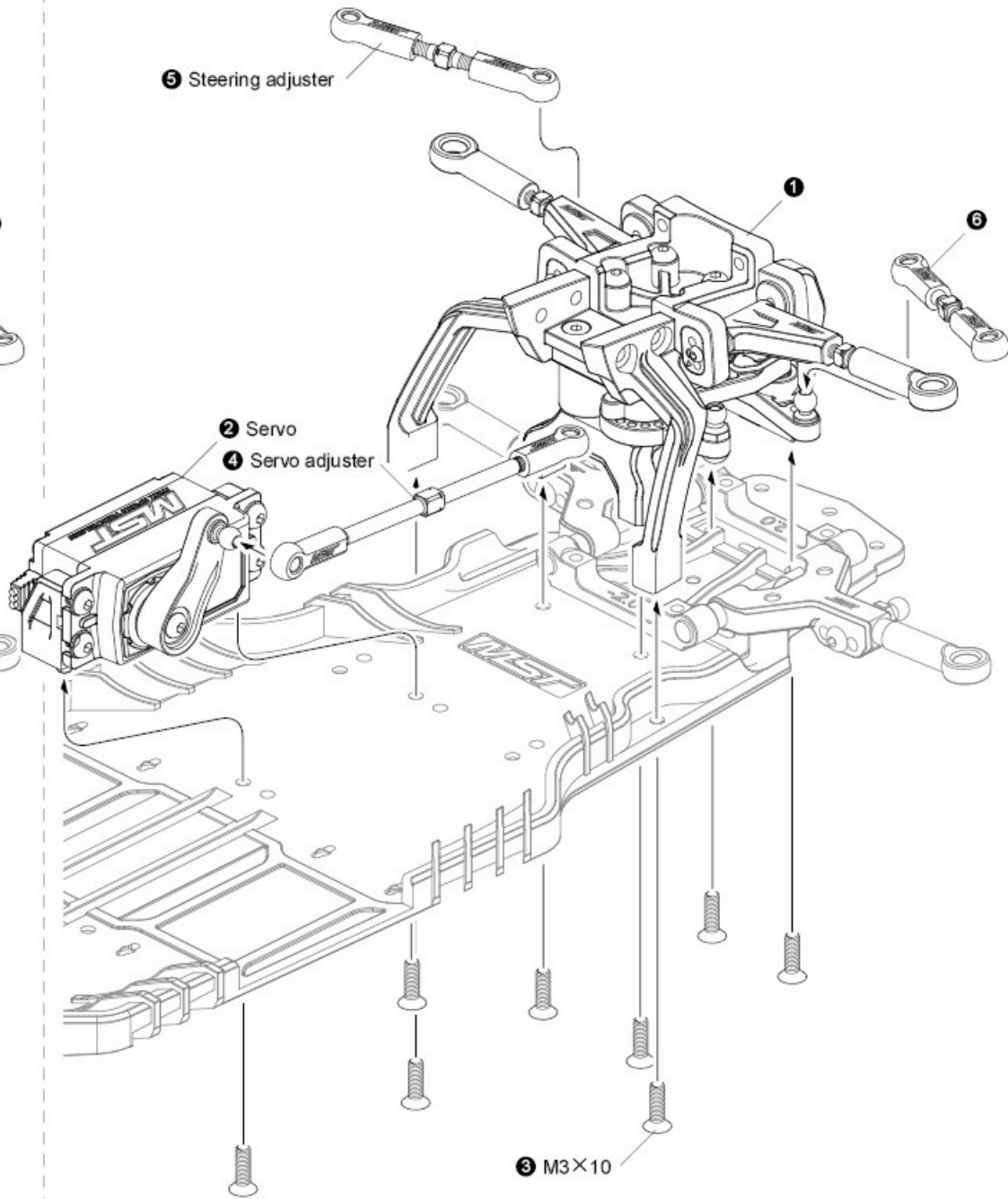


STEP 1 Attaching front steering-suspension
安裝前擋組

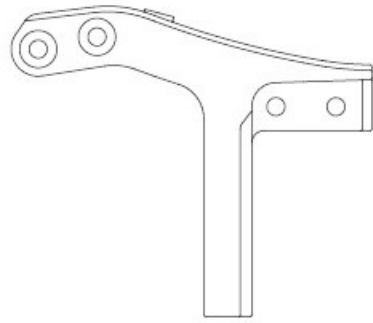
※ Centered low gravity
(Original setting)
低重心 (原廠設定)



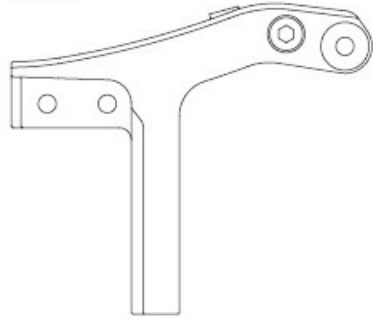
※ Centered upper motor
高重心



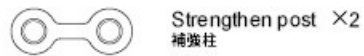
STEP 1 Attaching upper deck
安裝二樓板



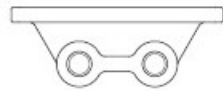
Gear box connector A ×1
連結架 A



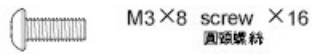
Gear box connector B ×1
連結架 B



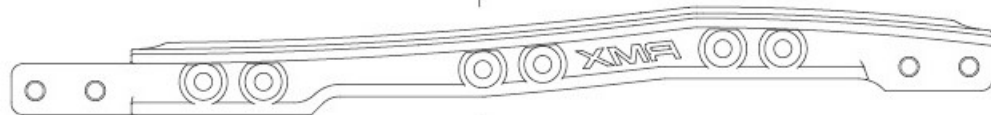
Strengthen post ×2
補強柱



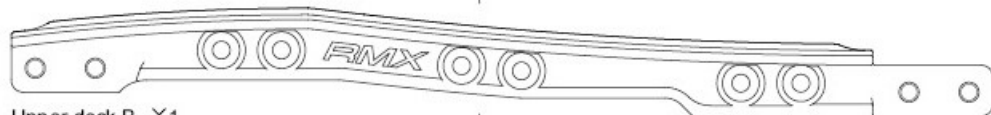
Gyro mount ×1
陀螺儀座



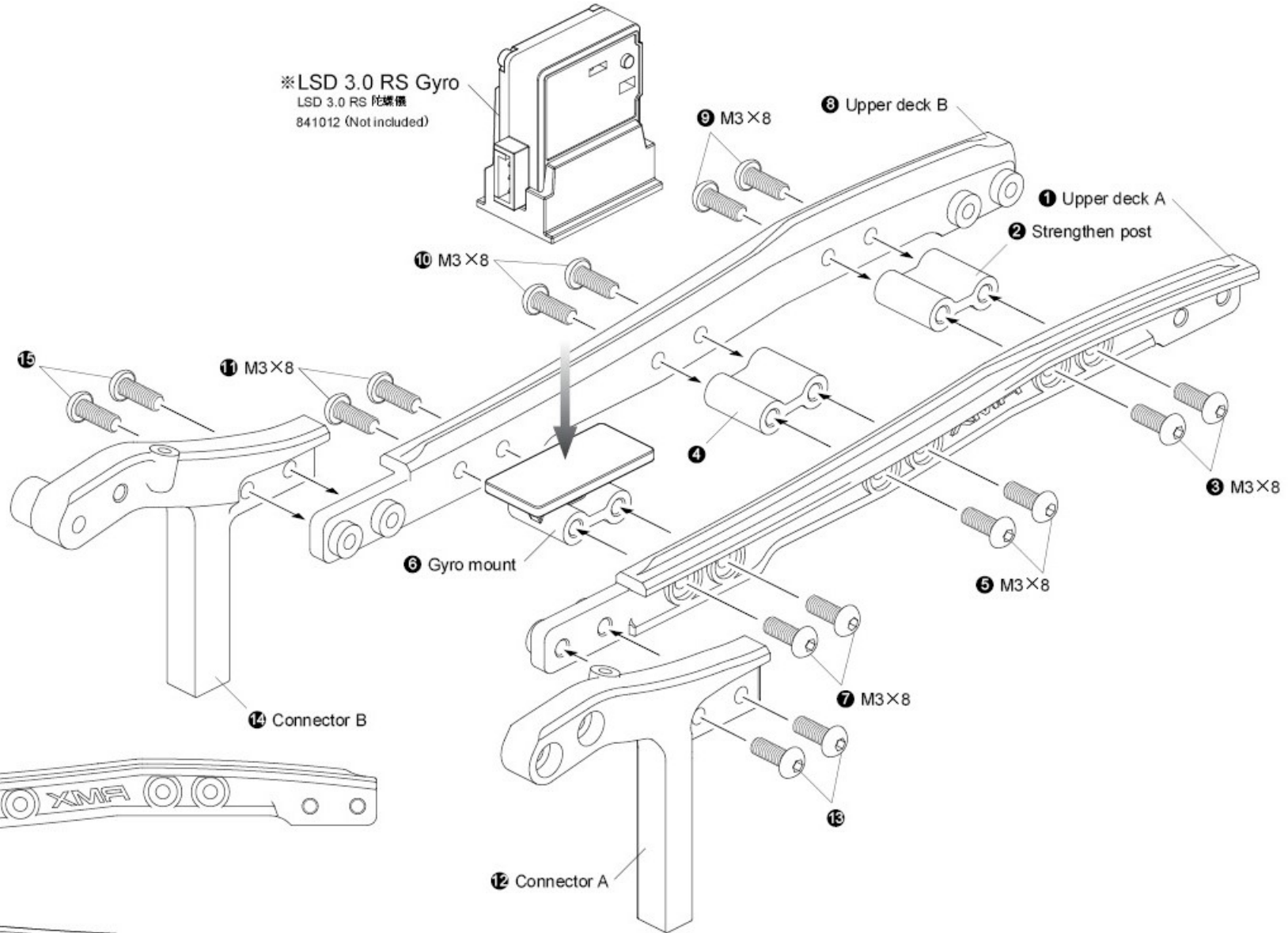
M3×8 screw ×16
圓頭螺絲

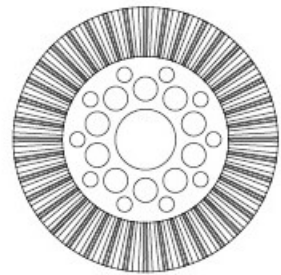


Upper deck A ×1
二樓板 A



Upper deck B ×1
二樓板 B





Bevel Gear 40T × 1
傘齒 40T



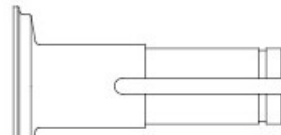
5×8 Bearing × 2
軸承



2.5×6 Spacer × 2
鋼板



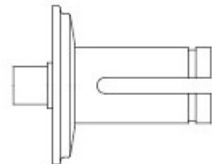
3×6×0.5 Spacer × 1
墊片



Long joint × 1
長接杆



Diff. Spring × 1
滾差彈簧



Short joint × 1
短接杆



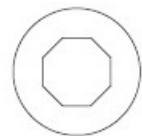
Steel ball 3.0 × 10
鋼珠 3.0



Steel ball 1.5 × 8
鋼珠 1.5



M2.5×30 screw × 1
有磷螺絲(半牙)



Diff. plate × 2
滾差壓板



10×15 Ball bearing × 2
培林

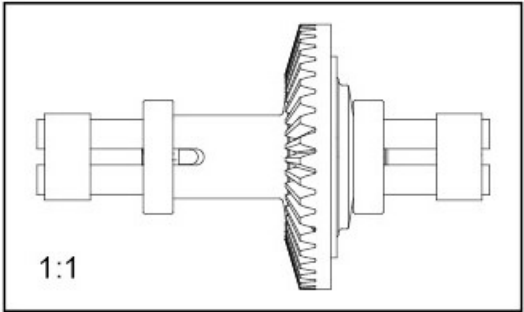
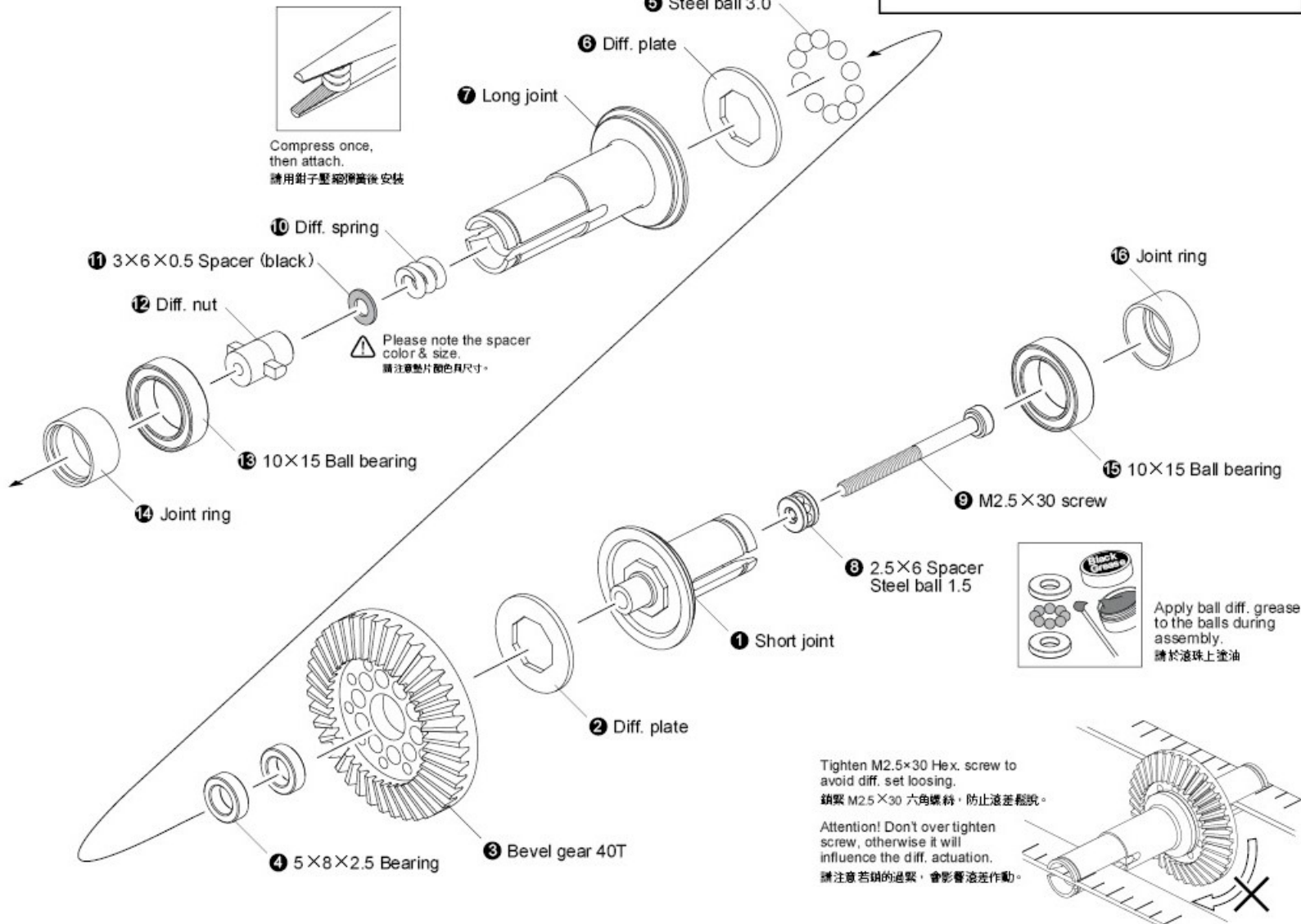


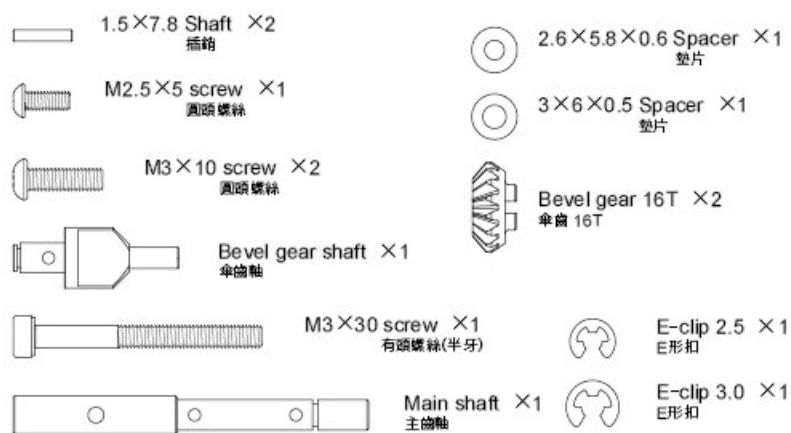
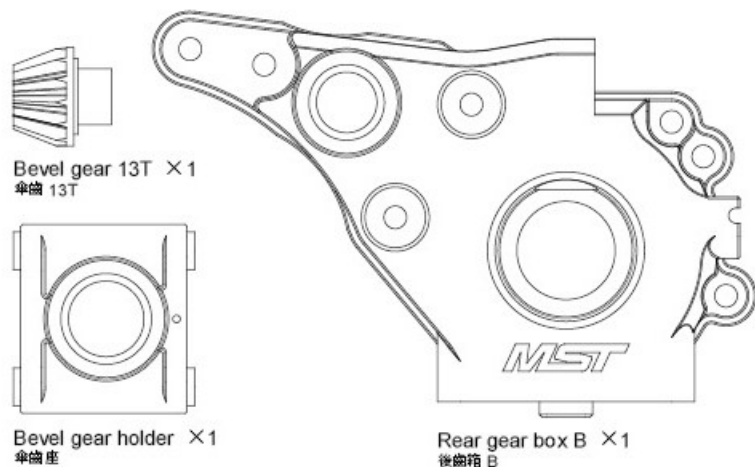
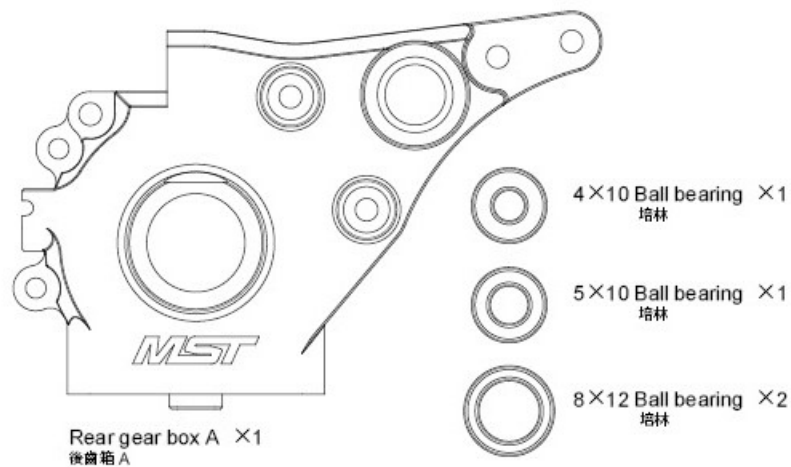
Diff. nut × 1
滾差螺帽



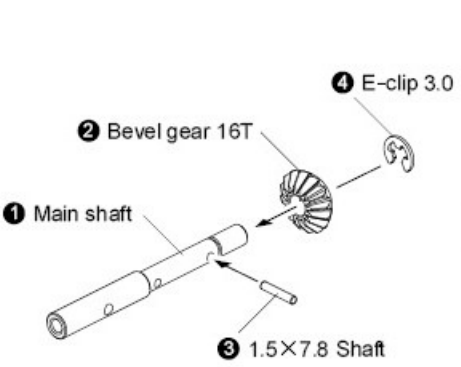
Joint ring × 2
接杯環

STEP 1 Rear diff. set assembly
後差組裝

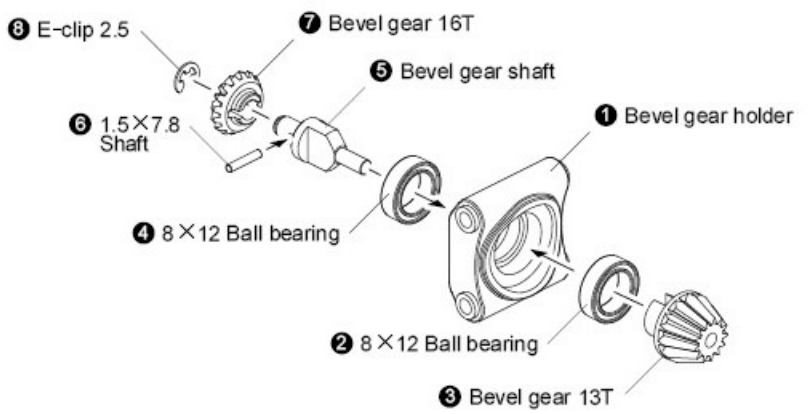




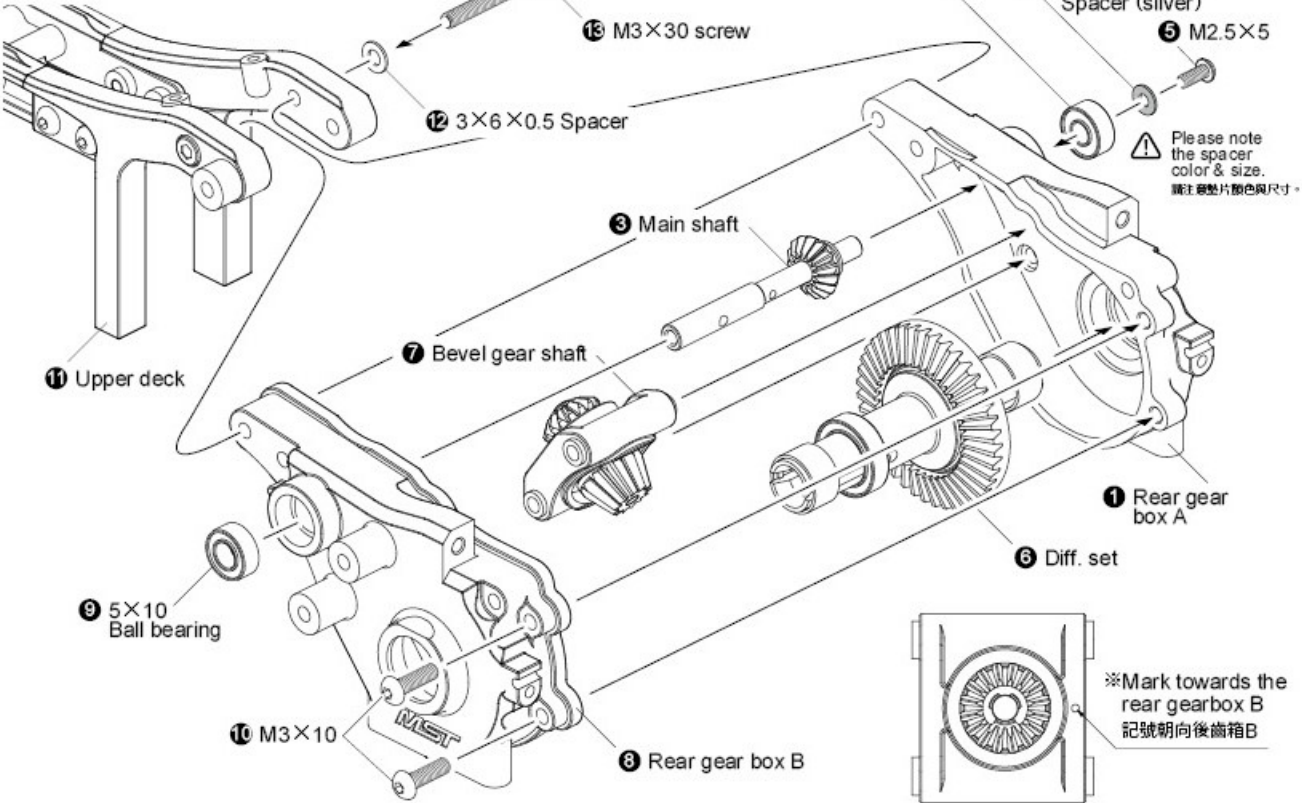
STEP 1 Main shaft assembly
主齒軸組裝

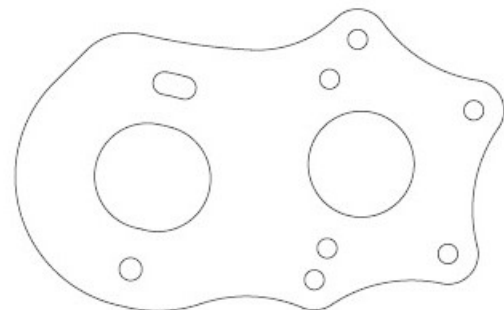


STEP 2 Bevel gear shaft assembly
傘齒軸組裝

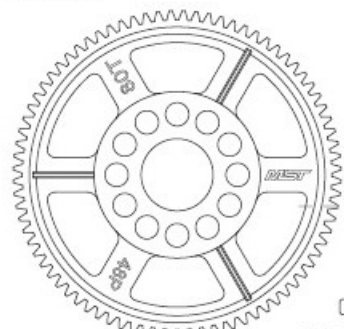


STEP 3 Rear gear box assembly
後齒箱組裝

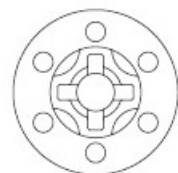




Alum. motor mount ×1
鋁合金馬達座



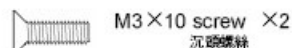
Spur gear 48P 80T ×1
大直齒



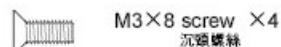
Spur gear holder ×1
大齒盤座



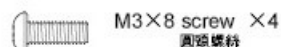
M3×40 screw ×3
有頭螺絲(半牙)



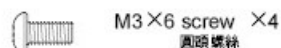
M3×10 screw ×2
沉頭螺絲



M3×8 screw ×4
沉頭螺絲



M3×8 screw ×4
圓頭螺絲



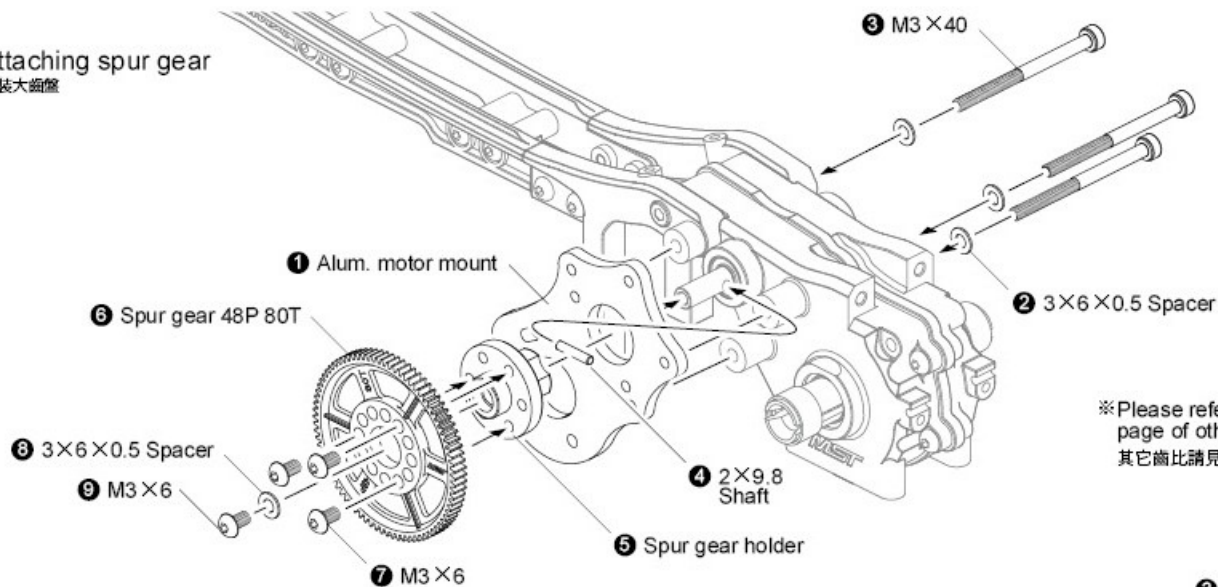
M3×6 screw ×4
圓頭螺絲

2×9.8 Shaft ×1
插銷

3×6×0.5 Spacer ×6
墊片

M3×6 screw ×2
有頭螺絲(半牙)

STEP 1 Attaching spur gear
安裝大齒盤

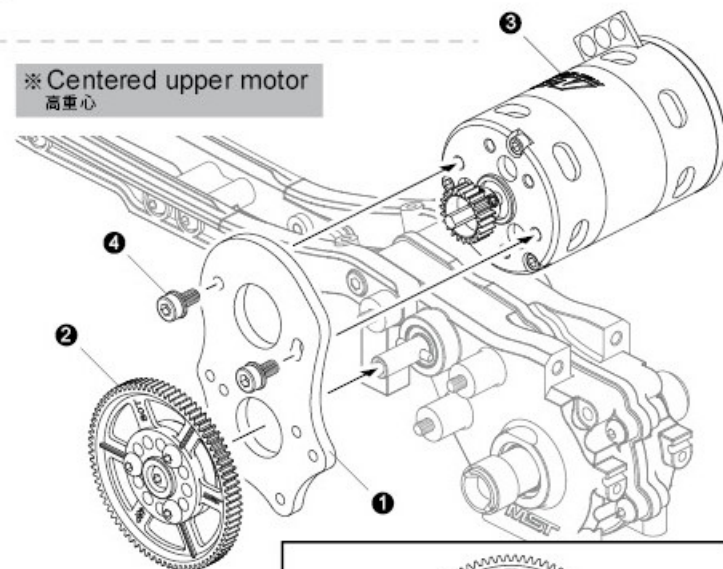
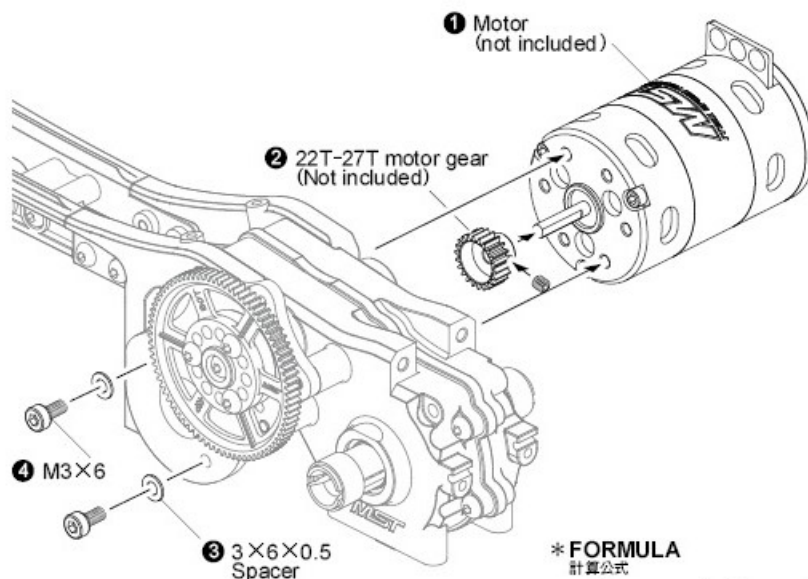


※Please refer to the next page of other ratios.
其它齒比請見下一頁。

STEP 2 Attaching motor
安裝馬達

※ Centered low gravity (Original setting)
低重心(原廠設定)

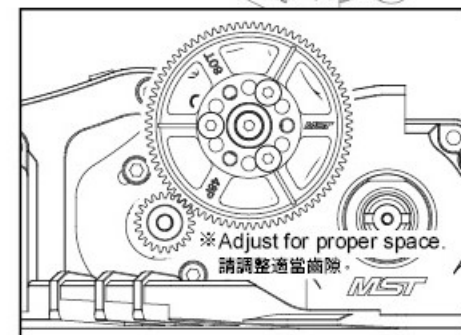
※ Centered upper motor
高重心



※ FORMULA
計算公式

$$\left(\frac{\text{Spur gear teeth}}{\text{Pinion gear teeth}} \times \frac{\text{Diff. ring gear}}{\text{Diff. pinion gear}} \right) = \text{Gear ratio}$$

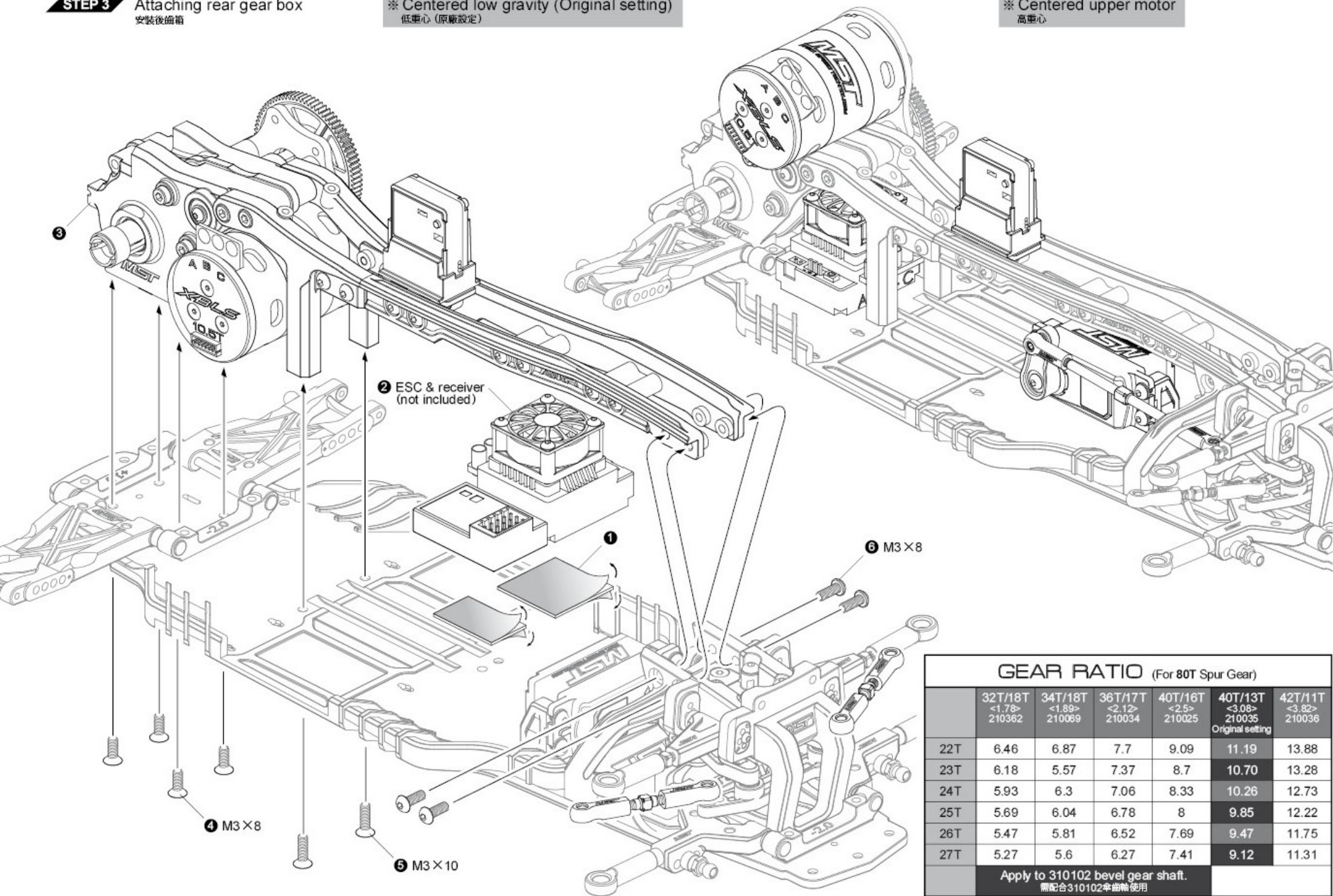
大直齒 小直齒 大傘齒 小傘齒 終傳比



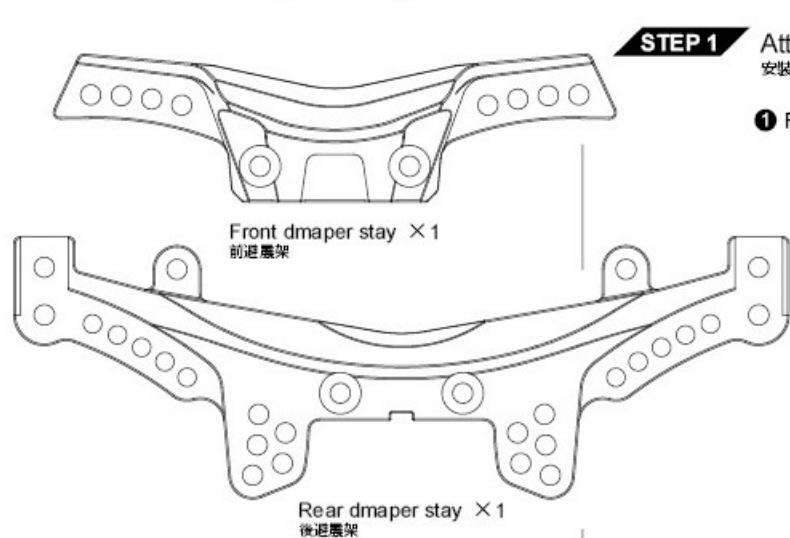
STEP 3 Attaching rear gear box
安裝後齒箱

※ Centered low gravity (Original setting)
低重心 (原廠設定)

※ Centered upper motor
高重心



GEAR RATIO (For 80T Spur Gear)						
	32T/18T <1.78> 210362	34T/18T <1.89> 210069	36T/17T <2.12> 210034	40T/16T <2.5> 210025	40T/13T <3.08> 210035 Original setting	42T/11T <3.82> 210036
22T	6.46	6.87	7.7	9.09	11.19	13.88
23T	6.18	5.57	7.37	8.7	10.70	13.28
24T	5.93	6.3	7.06	8.33	10.26	12.73
25T	5.69	6.04	6.78	8	9.85	12.22
26T	5.47	5.81	6.52	7.69	9.47	11.75
27T	5.27	5.6	6.27	7.41	9.12	11.31
Apply to 310102 bevel gear shaft. 需配合310102傘齒輪使用						



M3×8 screw ×4
圓頭螺絲

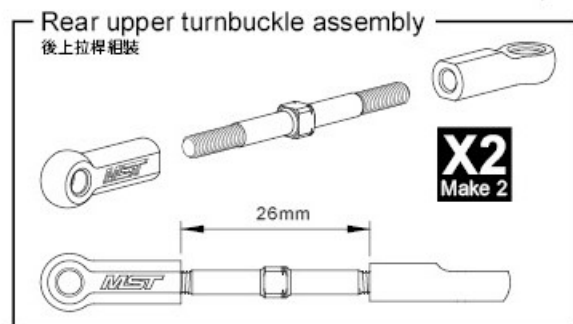
M3×10 screw ×6
圓頭螺絲

4.8 Ball connector ×6
外六角球頭

3×5.5×2 Spacer ×2
墊片

4.8 adjuster M ×4
拉桿頭

M3×40 steel turnbuckle ×2
鋼製可調拉桿



STEP 1 Attaching front damper stay
安裝前避震架

1 Front dmaper stay

2 M3×8

4 M3×10

3 4.8 Ball connector

STEP 2 Attaching rear damper stay
安裝後避震架

8 M3×10

4 4.8 Ball connector

3 3×5.5×2 Spacer

5 M3×10

1 Rear dmaper stay

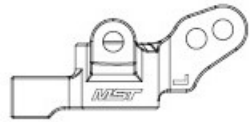
2 M3×8

6 4.8 Ball connector

7 Rear upper turnbuckle



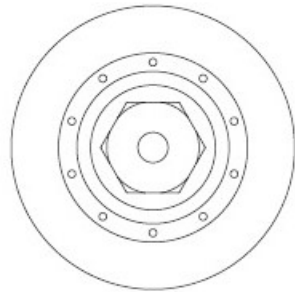
Front upright R × 1
前輪座 R



Front upright L × 1
前輪座 L



Brake calipers × 2
制車卡鉗



Wheel hubs (large)
(brake disc shaped) × 2
六角輪座(大)(制車碟型)



2WD Axle × 2
二驅輪軸



5.8×4 Ball connector L × 4
球頭螺絲(長)



4.8×4.5 Ball connector × 2
球頭螺絲



M2×4 screw × 2
圓頭螺絲



2×9.8 Shaft × 2
插銷

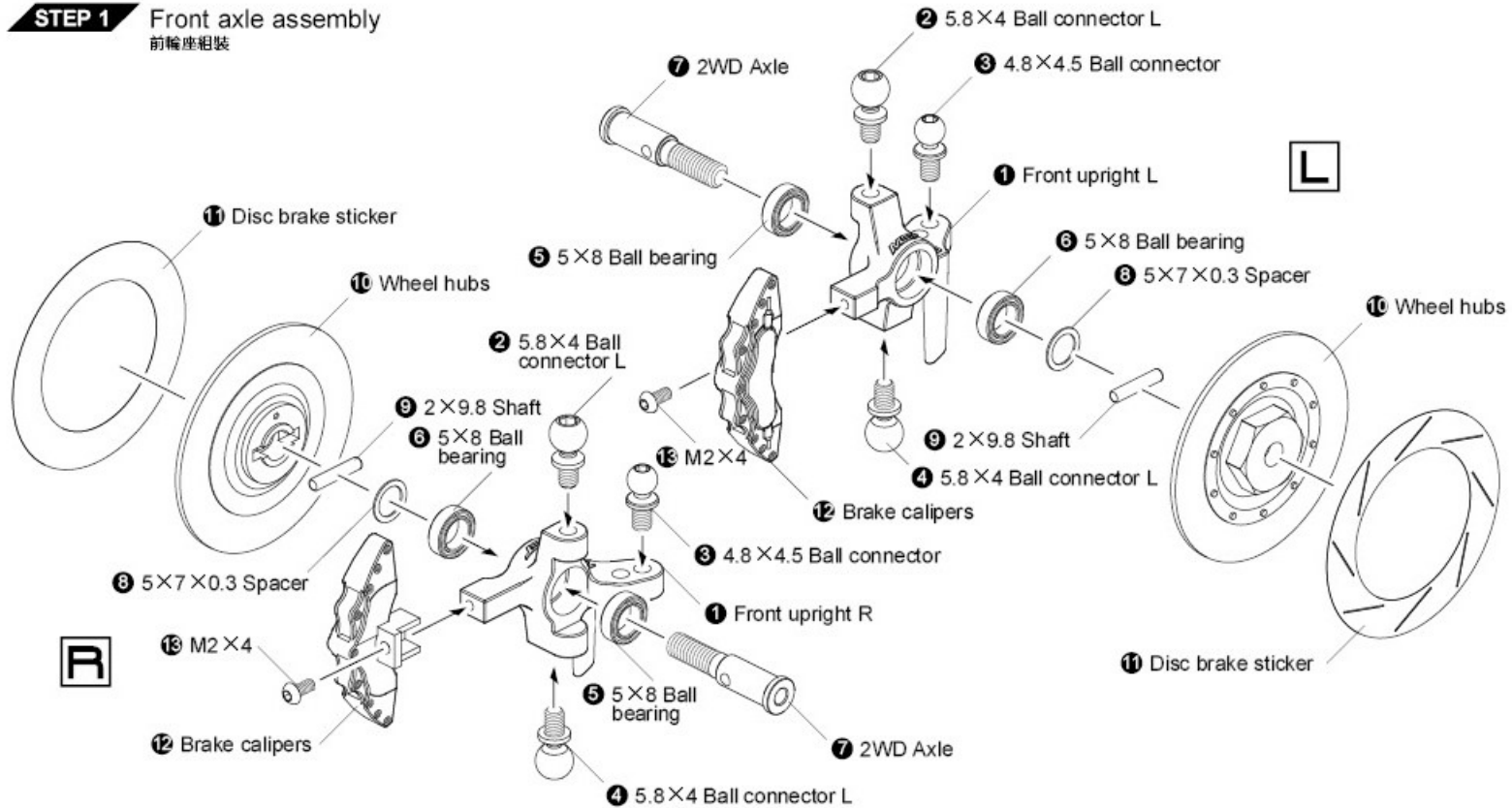


5×8 Ball bearing × 4
培林

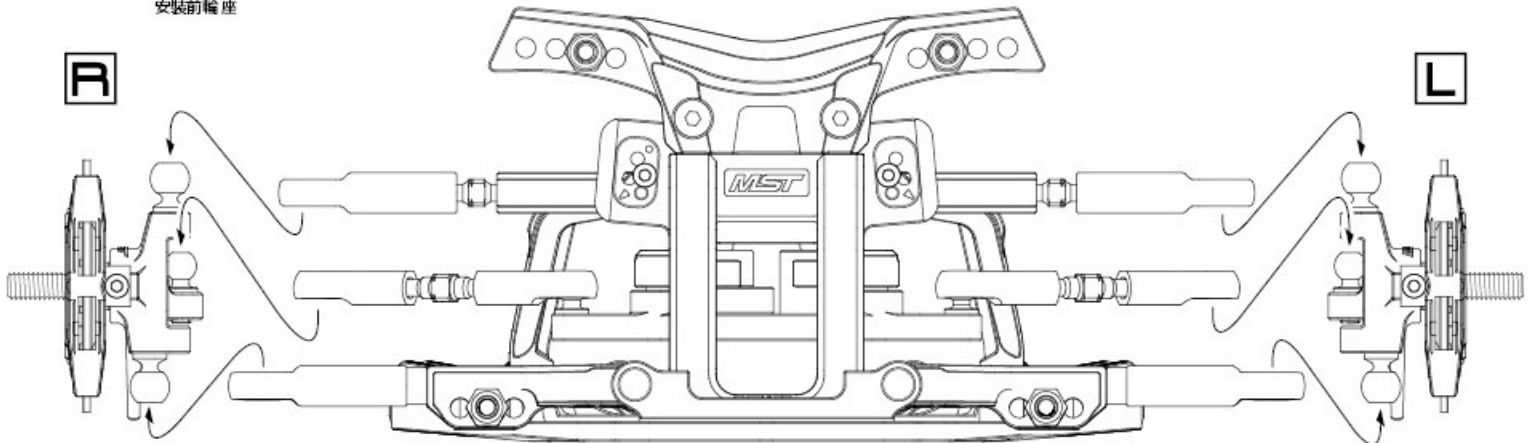


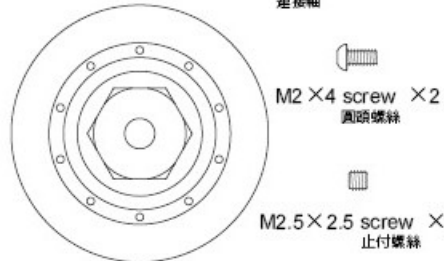
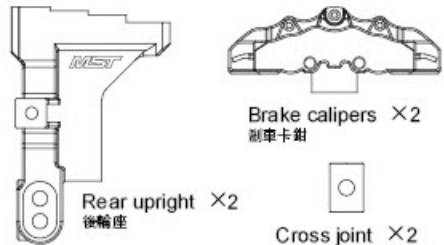
5×7×0.3 Spacer × 2
墊片

STEP 1 Front axle assembly
前輪座組裝



STEP 2 Attaching front axle
安裝前輪座





Wheel hubs (small) (制車碟型) (六角輪座(小)(制車碟型)) x2

5 x 11 Ball bearing x2
培林

10 x 15 Ball bearing x2
培林

5 x 7 x 0.1 Spacer x2
墊片

2 x 22 Shaft x2
插銷

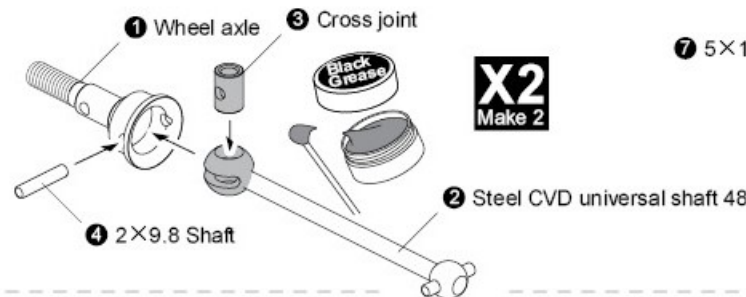
2 x 9.8 Shaft x4
插銷

4.8 x 4.5 Ball connector x2
球頭螺絲

Wheel axle x2
萬向接杆

Steel CVD universal shaft 48 x2
鋼製CVD傳動軸 48

STEP 1 Rear axle assembly
後輪座組裝



X2
Make 2

8 4.8 x 4.5 Ball connector

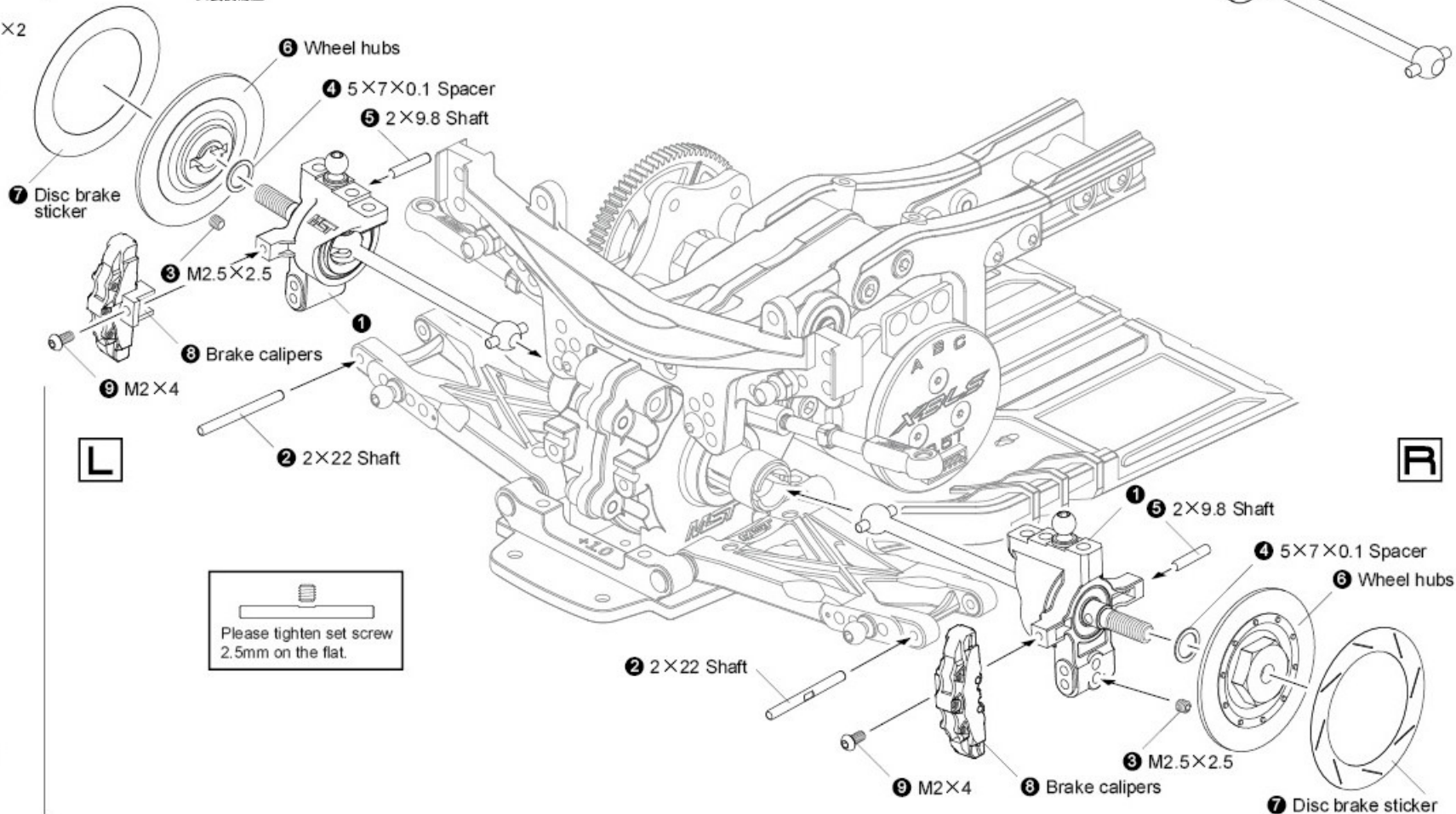
7 5 x 11 Ball bearing

5 Rear upright

6 10 x 15 Ball bearing

X2
Make 2

STEP 2 Attaching rear axle
安裝後輪座



L

R

Please tighten set screw
2.5mm on the flat.

2 2 x 22 Shaft

5 2 x 9.8 Shaft

4 5 x 7 x 0.1 Spacer

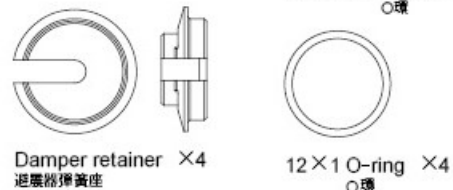
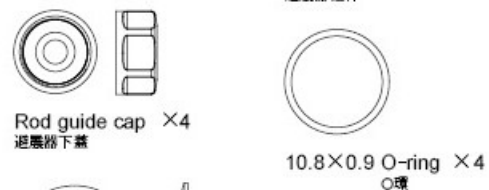
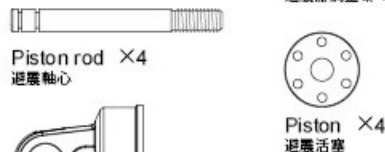
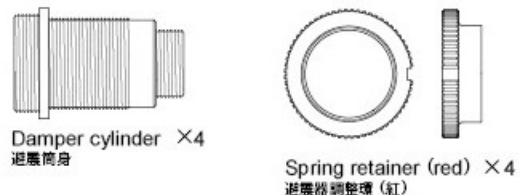
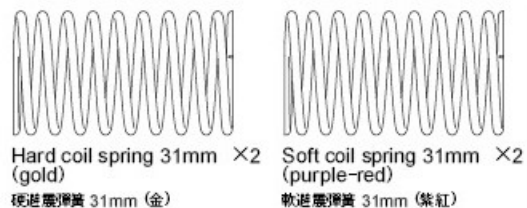
6 Wheel hubs

9 M2 x 4

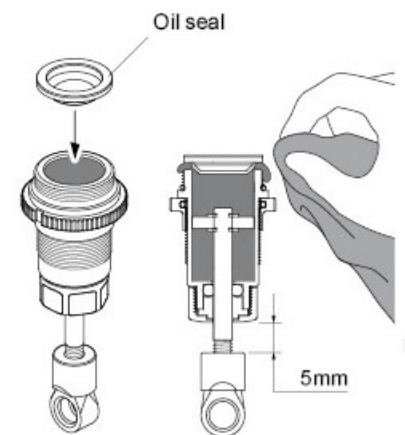
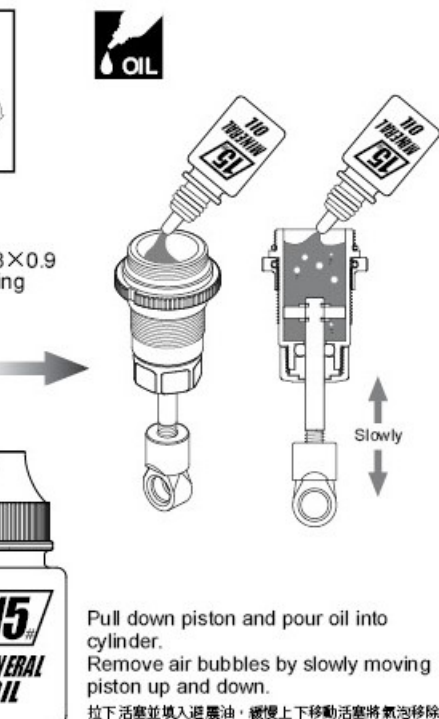
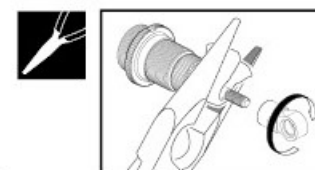
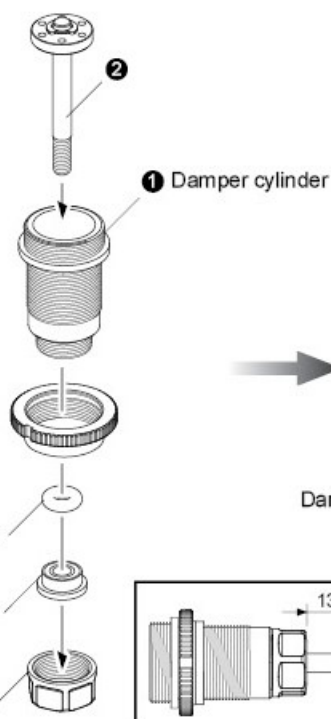
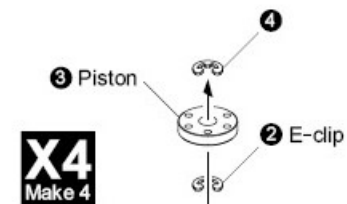
8 Brake calipers

3 M2.5 x 2.5

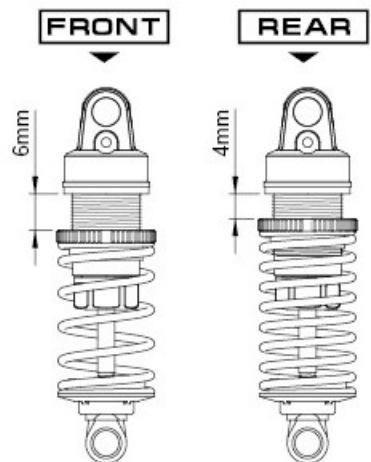
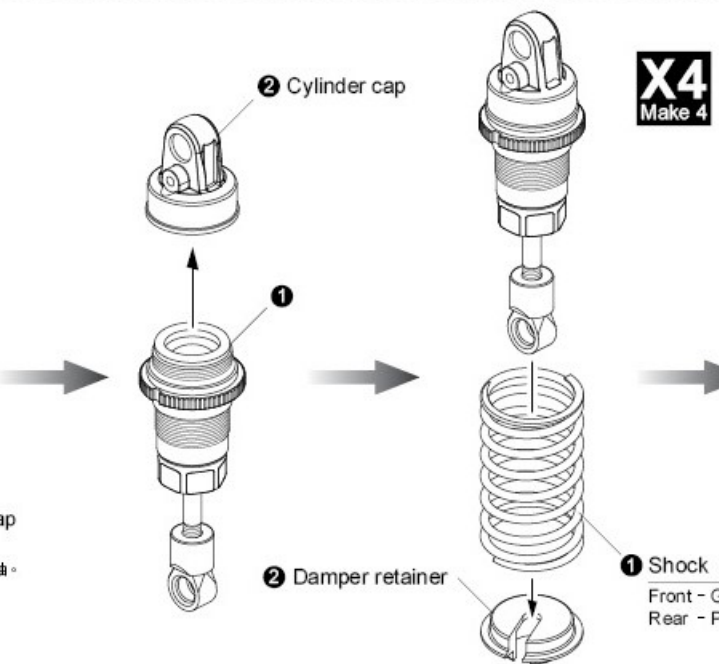
7 Disc brake sticker



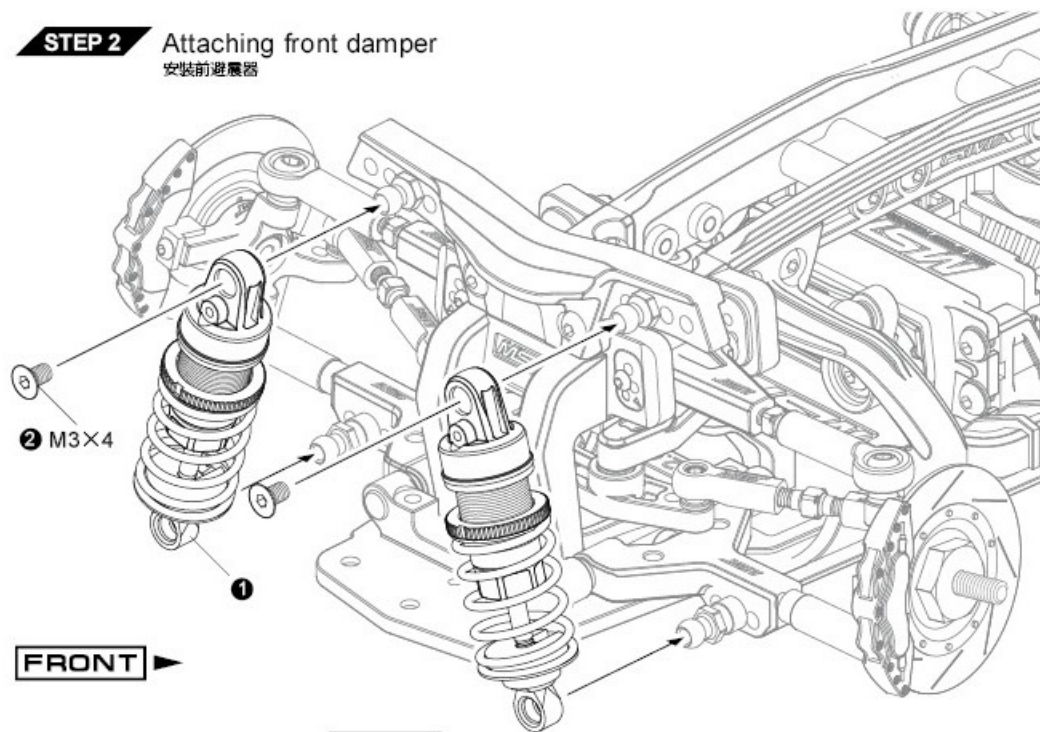
STEP 1 Damper assembly
避震器組裝



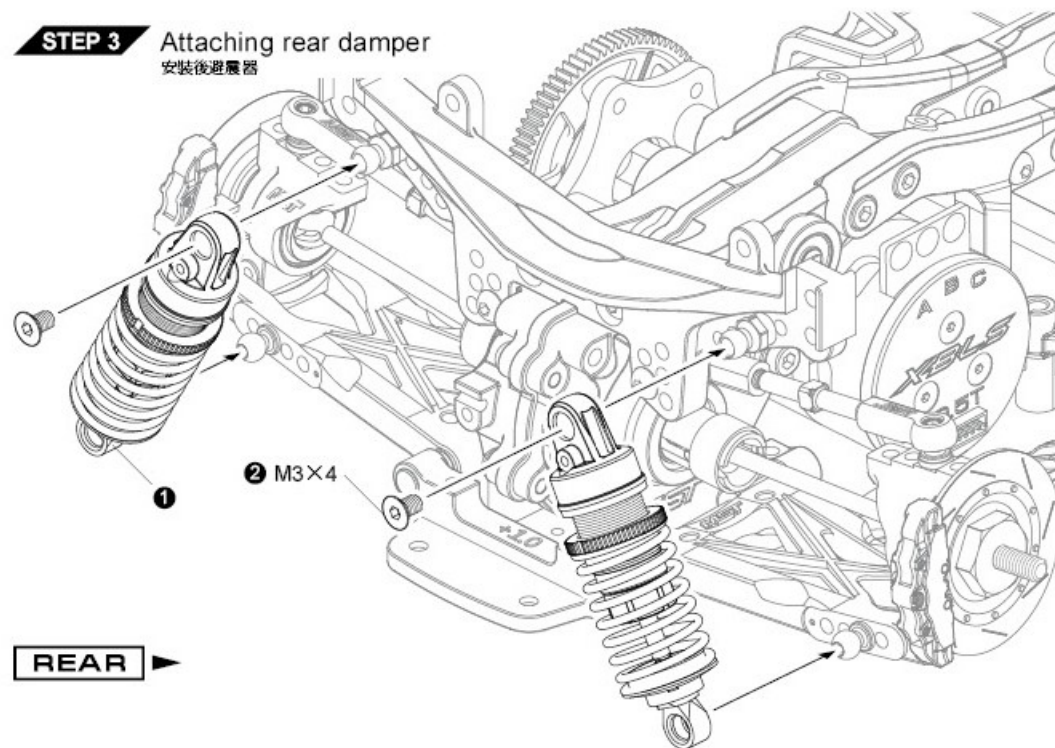
Pull down piston rod 5mm, attach cylinder cap and absorb oil overflow with tissue paper.
將軸心下拉5mm後，蓋上避震器上蓋並以面紙拭去溢出的油。



STEP 2 Attaching front damper
安裝前避震器



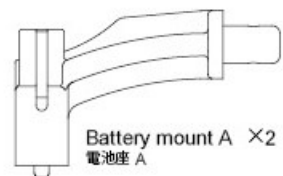
STEP 3 Attaching rear damper
安裝後避震器



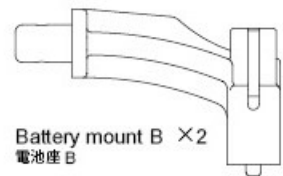
PARTS BAG

9

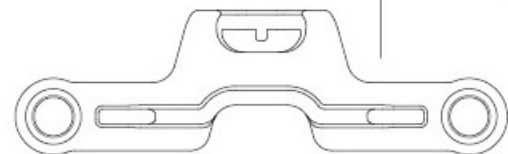
BATTERY MOUNT
電池座



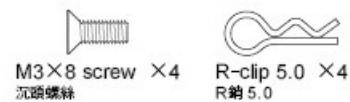
Battery mount A ×2
電池座 A



Battery mount B ×2
電池座 B



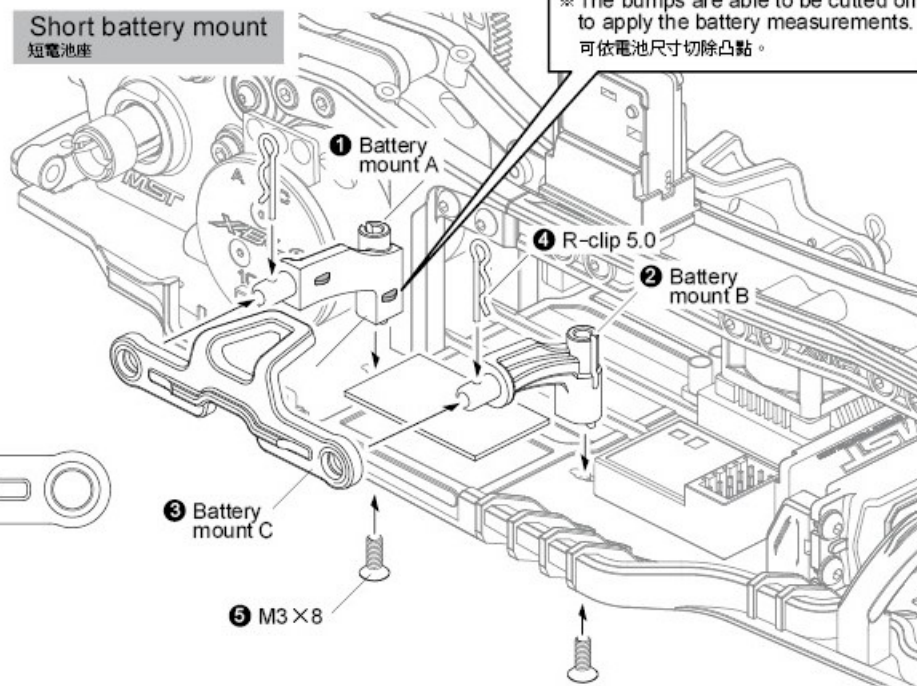
Battery mount C ×2
電池座 C



M3×8 screw ×4
沉頭螺絲

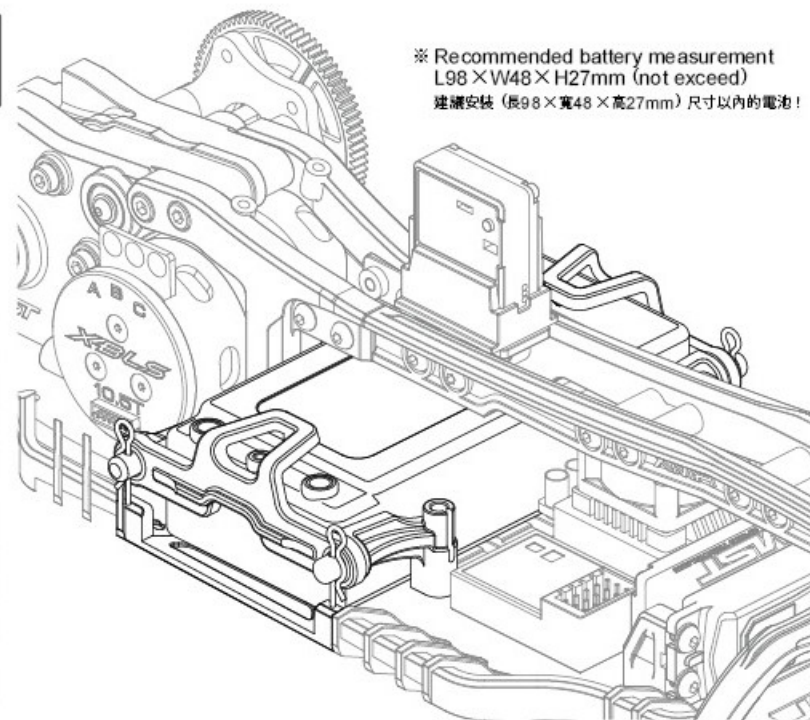
R-clip 5.0 ×4
R銷 5.0

Short battery mount
短電池座

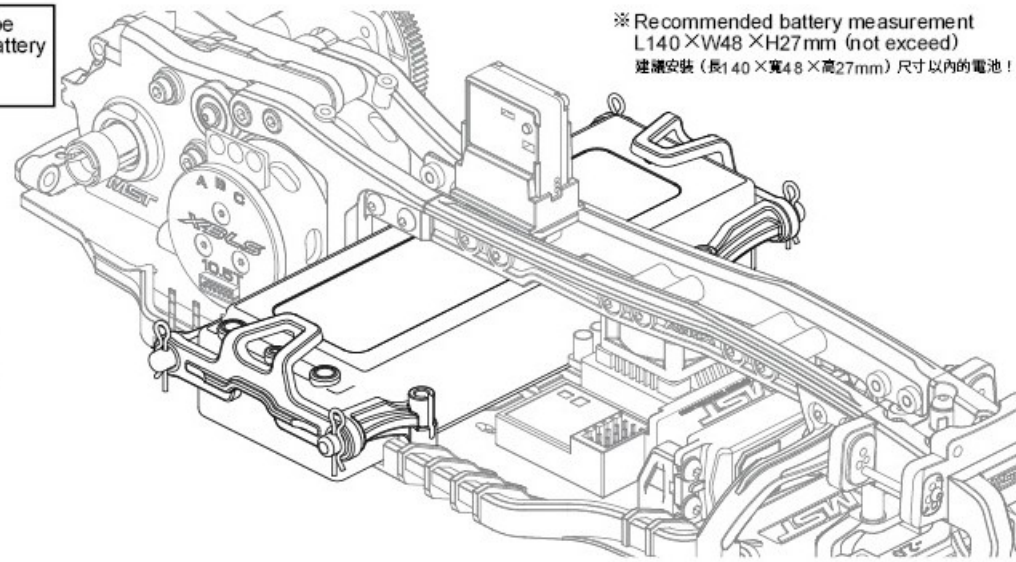
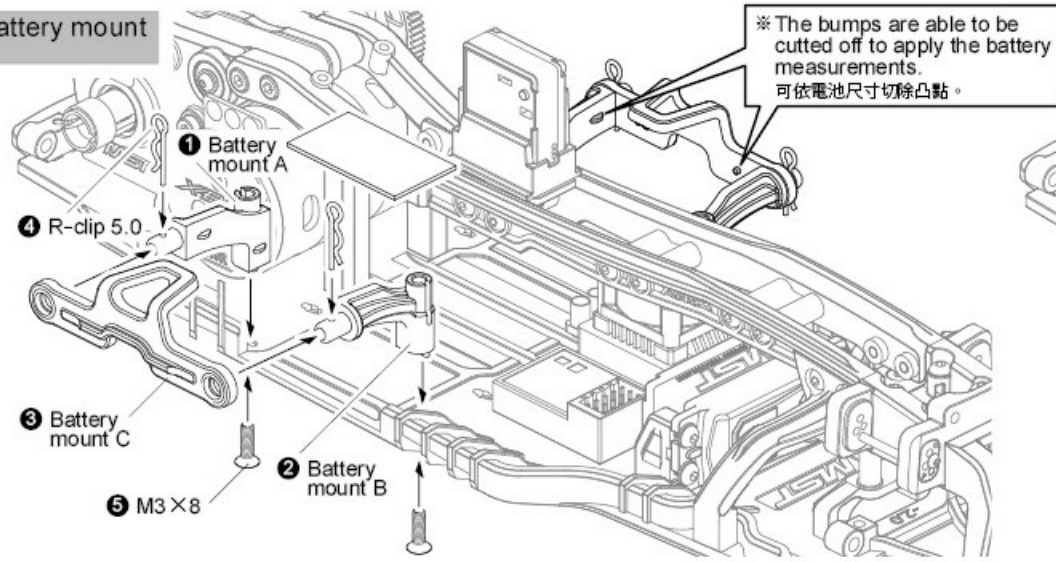


※ The bumps are able to be cutted off to apply the battery measurements.
可依電池尺寸切除凸點。

※ Recommended battery measurement
L98 × W48 × H27mm (not exceed)
建議安裝 (長98 × 寬48 × 高27mm) 尺寸以內的電池!



Long battery mount
長電池座



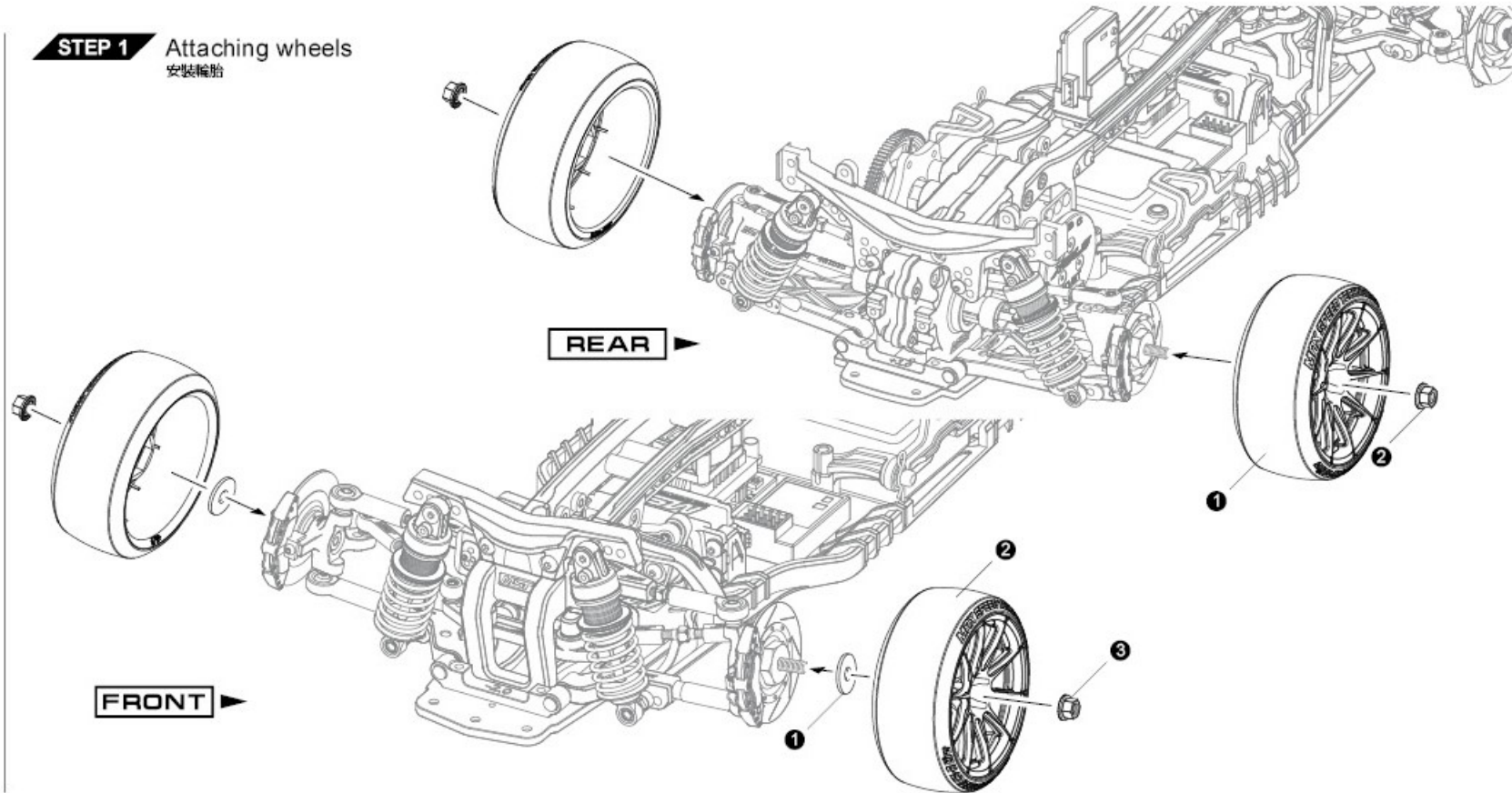
PARTS WHEELS
輪胎

Flange nut M4 x 4
凸緣螺帽M4
(Tools bag)

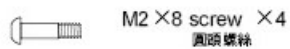
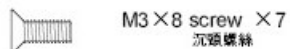
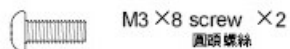
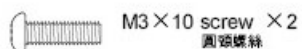
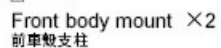
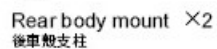
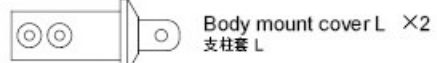
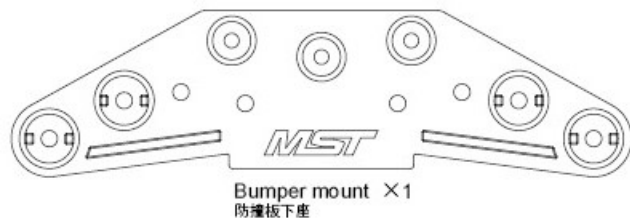
Wheel hub spacer 1.0 x 2
輪座墊片 1.0
(Tools bag)



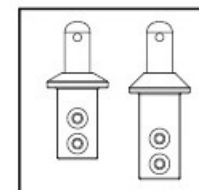
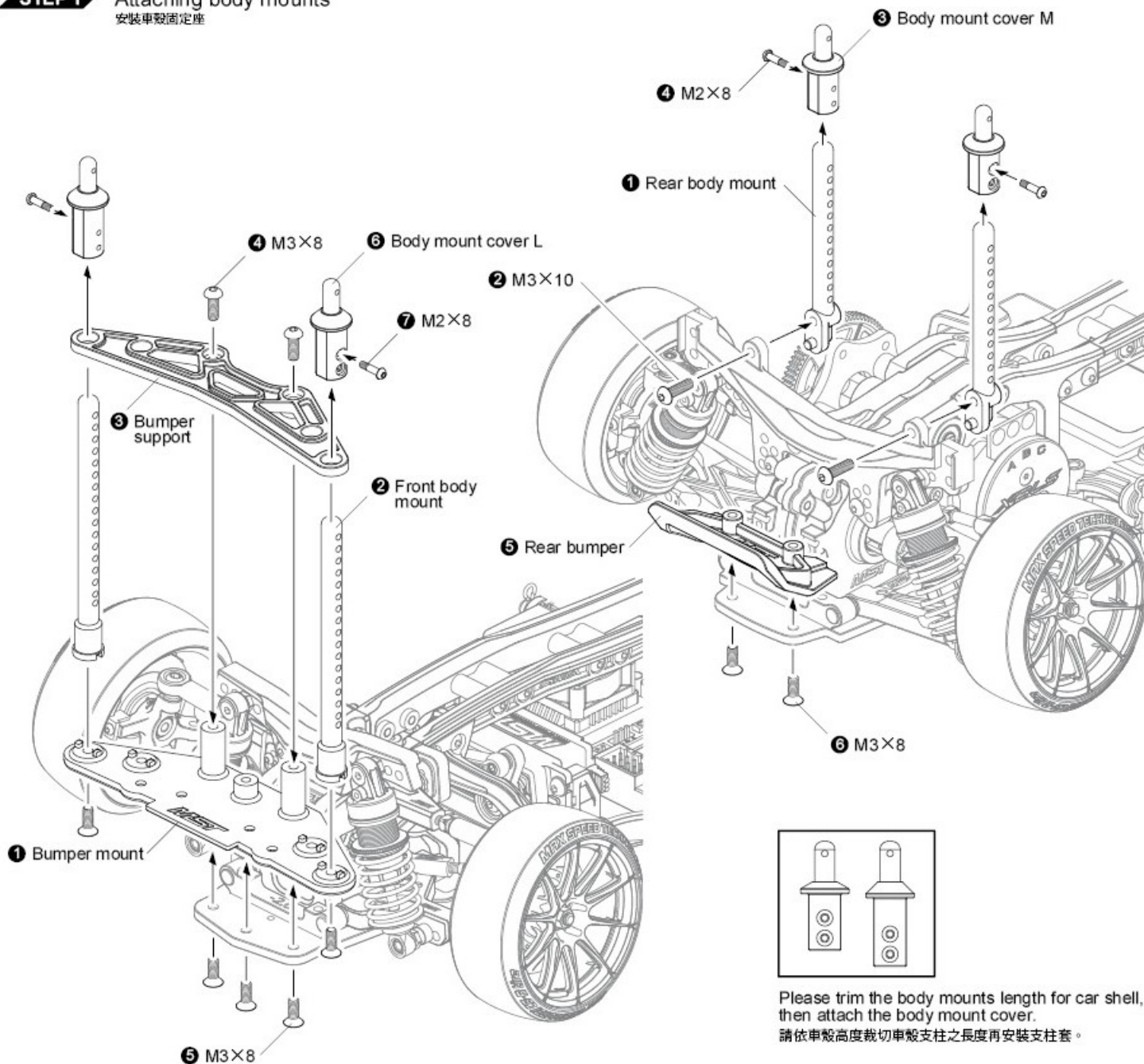
STEP 1 Attaching wheels
安裝輪胎



※ NOT including.
Please refer to MST website for the
wheel & tire types.
胎框組須另購，詳情請見官網。
[www.rc-mst.com]





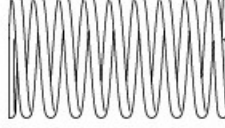
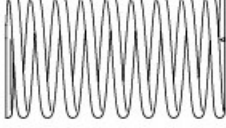

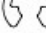



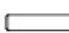
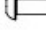




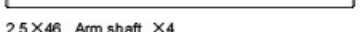



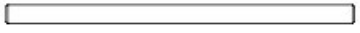
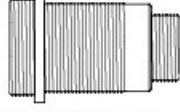
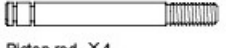



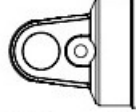






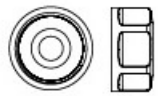
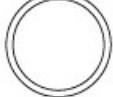




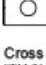
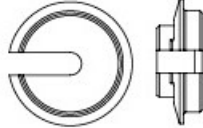










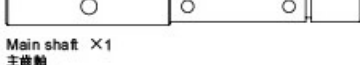



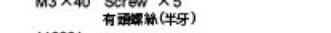

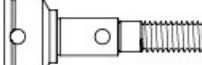
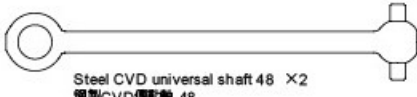







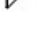








STEP 1 Attaching body mounts
安裝車殼固定座

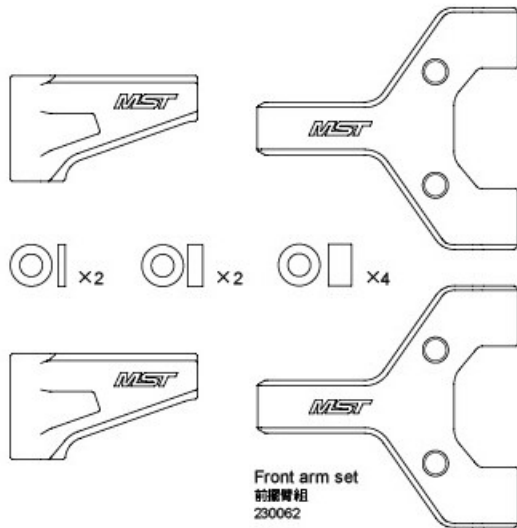


Please trim the body mounts length for car shell, then attach the body mount cover.
請依車殼高度裁切車殼支柱之長度再安裝支柱套。

PARTS

	M2×4 Screw ×8 圓頭螺絲 110004		E-clip 2.5 ×2 E形扣 110079		4.8 Ball connector ×7 外六角球頭 210161		Steel ball 3.0 ×12 鋼球 3.0 110020		Hard coil spring 31mm ×2 (gold) 硬避震彈簧 31mm (金) 820103-3		Soft coil spring 31mm ×2 (purple-red) 軟避震彈簧 31mm (紫紅) 820104-3
	M2×8 Screw ×2 圓頭螺絲 110063		E-clip 3.0 ×2 E形扣 110070		4.8 Ball connector L ×2 外六角球頭 (長) 210344		Diff. spring ×1 差速彈簧 310032		1.5×7.8 Shaft ×3 插銷 110059		2×9.8 Shaft ×8 插銷 110017
	M2×8 Screw ×4 圓頭螺絲 (半牙) 110045		2.6×5.8×0.6 Spacer ×1 墊片 110080		4.8×4.5 Ball connector ×9 球頭螺絲 310001		2×22 Shaft ×2 插銷 310047		2×28 Shaft ×2 插銷 310103		2.5×46 Arm shaft ×4 擺臂插銷 310048
	M2.5×5 Screw ×1 圓頭螺絲 110102		3×6×0.5 Spacer ×12 墊片 110047		5.8×4 Ball connector (L) ×4 球頭螺絲 (長) 210491		Suspension mount spacer 0.5mm ×2 擺臂座墊片 0.5mm 820063		Damper cylinder ×4 避震筒身 210071		Piston rod ×4 避震軸心 310008
	M3×6 Screw ×4 圓頭螺絲 110001		3×8×0.5 Spacer ×1 墊片 110048		M3×20 Steel tumbuckle ×2 鋼製可調拉桿 810002		Rod guide cap ×4 避震器上蓋 210057		Piston ×4 避震活塞 210082		Damper adjuster ×4 避震器拉桿 820079
	M3×8 Screw ×30 圓頭螺絲 110002		5×7×0.1 Spacer ×2 墊片 820018		M3×25 Steel tumbuckle ×2 鋼製可調拉桿 810003		Wheel hub spacer 1.0 ×2 輪座墊片 1.0 820049		Rod guide cap ×4 避震器下蓋 210057		10.8×0.9 O-ring ×4 O環 130082
	M3×10 Screw ×12 圓頭螺絲 110026		5×7×0.3 Spacer ×2 墊片 820020		M3×40 Steel tumbuckle ×2 鋼製可調拉桿 810015		Diff. plate ×2 差速壓板 310033		Cross joint ×2 連接軸 820030		Damper retainer ×4 避震器彈簧座 820079
	M3×14 Screw ×4 圓頭螺絲 110061		2.5×6 Thrust bearing ×1 止推培林 120008		M3×6 Screw ×2 有頭螺絲 (半牙) 110011		Bevel gear shaft ×1 傘齒軸 310104		Oil seal ×4 避震器油室 130004		Spring retainer (red) ×4 避震器調整環 (紅) 310053R
	M3×16 Screw ×2 圓頭螺絲 110086		5×8 Ball bearing ×8 培林 120003		M3×30 Screw ×1 有頭螺絲 (半牙) 110100		R-clip 5.0 ×10 R射 5.0 820075BK		Main shaft ×1 主齒軸 310105		Rod guide ×4 避震器下蓋墊片 210082BK
	2.6×10 Screw ×1 自攻圓頭螺絲 110025		3×6×2.5 Bearing ×4 軸承 120024		M3×40 Screw ×5 有頭螺絲 (半牙) 110091		2WD Axle ×2 二驅軸 820095		Wheel axle ×2 萬向接杆 310006		Steel CVD universal shaft 48 ×2 鋼製CVD傳動軸 48 820007
	M3×8 Screw ×25 沉頭螺絲 110005		5×8×2.5 Bearing ×2 軸承 120017		M3×40 Screw ×2 有頭螺絲 (半牙) 110011						
	M3×10 Screw ×10 沉頭螺絲 110052		4×10 Ball bearing ×1 培林 120018								
	M3×10 Screw ×10 沉頭螺絲 110052		5×10 Ball bearing ×1 培林 120002								
	M3×12 Screw ×2 沉頭螺絲 110043		5×11 Ball bearing ×2 培林 120011								
	M3×20 Screw ×2 沉頭螺絲 110101		8×12 Ball bearing ×2 培林 120019								
	M2.5×2.5 Screw ×2 止付螺絲 110067		10×15 Ball bearing ×4 培林 120001								
	M3×12 Screw ×1 止付螺絲 110056										

PARTS



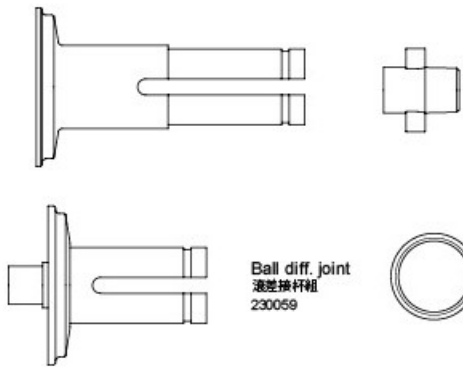
Front arm set
前擺臂組
230062



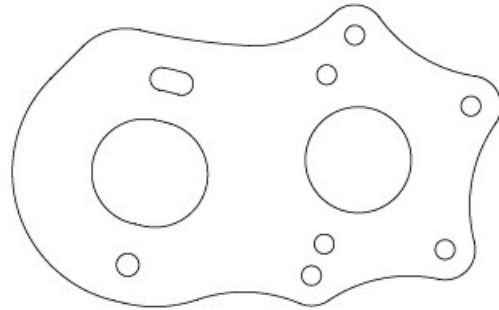
Bevel gear 16T ×2
傘齒 16T
310064



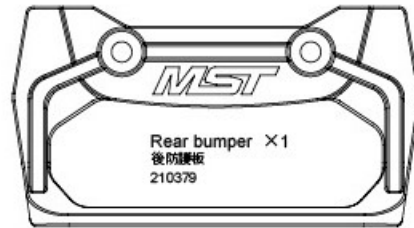
Front wheel hubs
前輪座組
230066



Ball diff. joint
滾差球桿組
230059



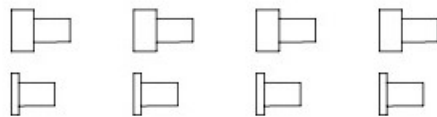
Alum. motor mount (red)
鋁合金馬達座 (紅)
310101R



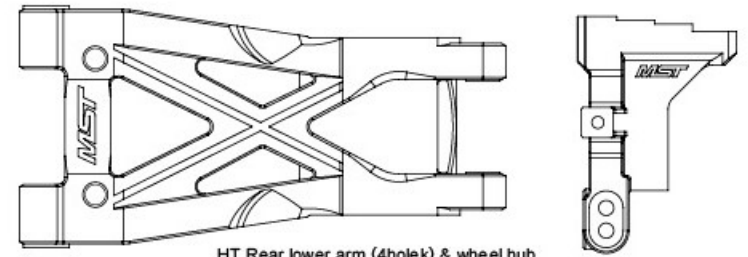
Rear bumper ×1
後防塵板
210379



5.8×26 Reinforced adjuster set
強化拉桿調節組
210031



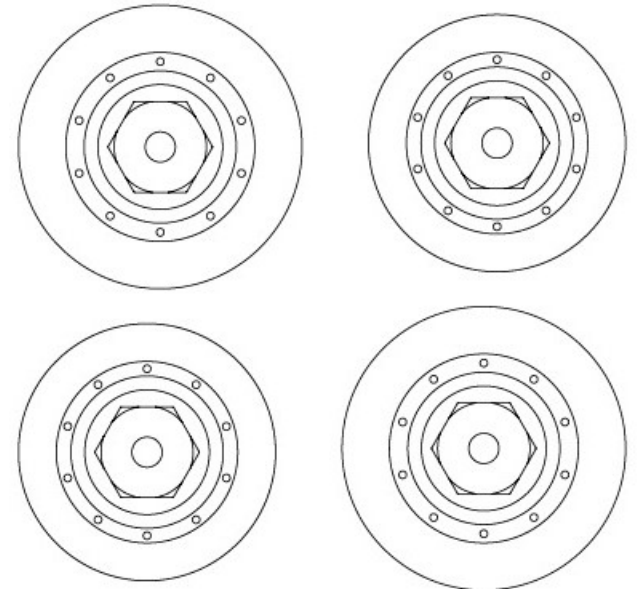
Shaft bush & spacer set (white)
襯套墊片組 (白)
210063(W)



HT Rear lower arm (4hole) & wheel hub
HT 後下擺臂 (4孔) & 輪座
210070

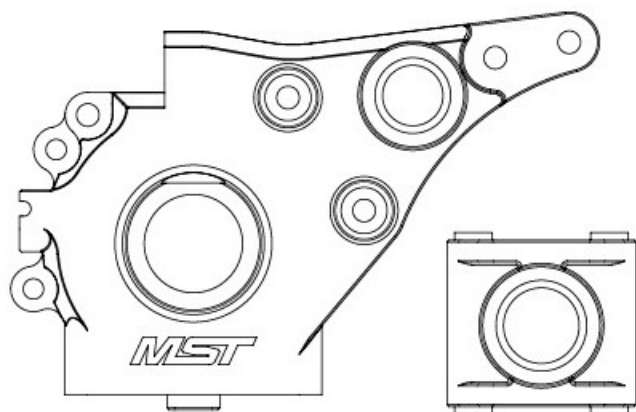


Enlarged brake calipers (red)
加大剎車卡鉗 (紅)
210510CR

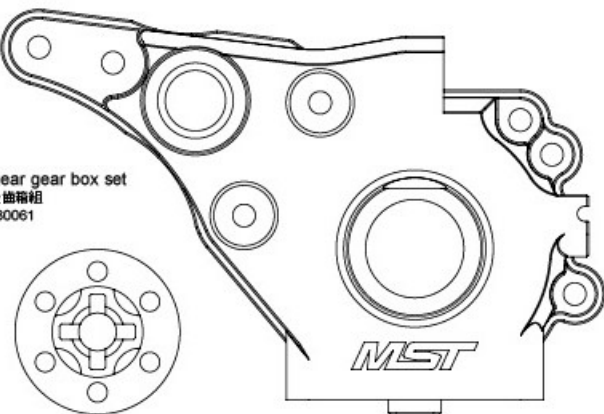


Wheel hubs w/disc shape (large) with sticker
碟型六角輪座組 (加大型) 附貼紙
230041

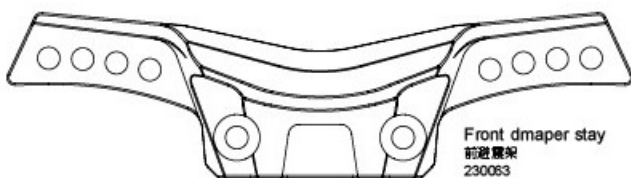
PARTS



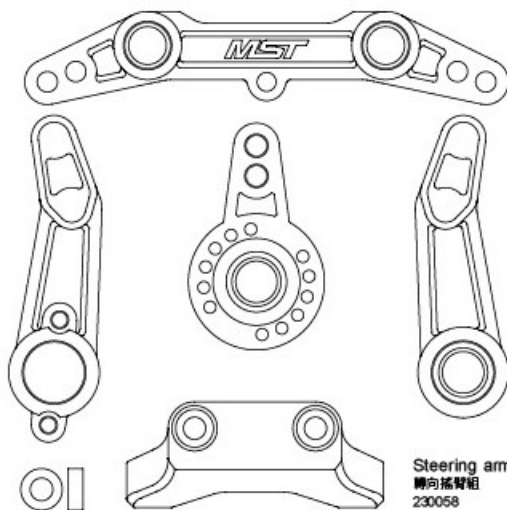
Rear gear box set
後齒箱組
230061



4.8 Rod ends set (M/S) × 2
4.8 拉桿頭組 (M/S)
230067

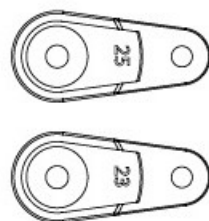
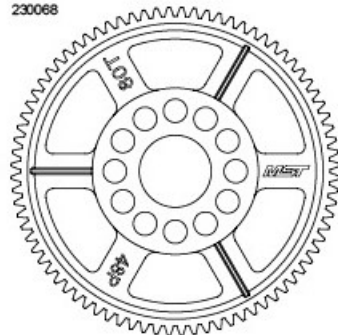


Front damper stay
前避震架
230063

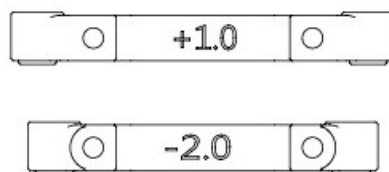


Steering arm set
轉向搖臂組
230058

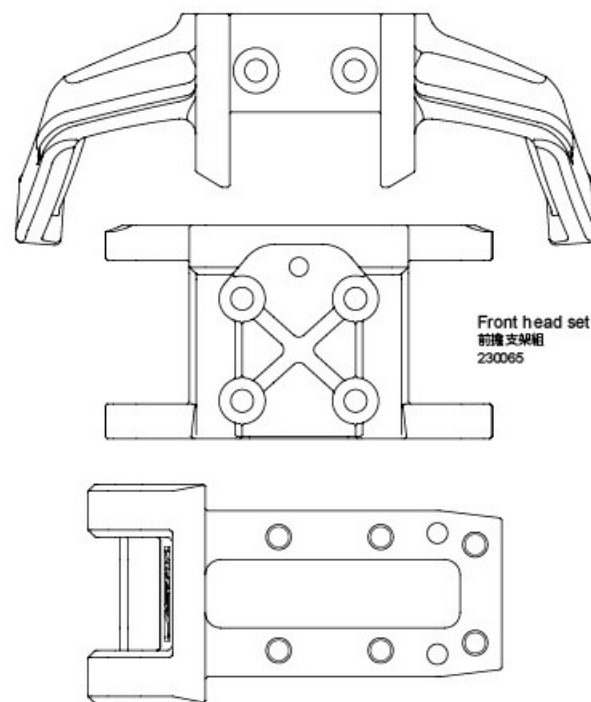
Spur gear 48P 80T
大齒齒
230068



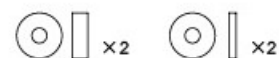
Servo horn set (23T/25T)
伺服機舵片組 (23T/25T)
210032



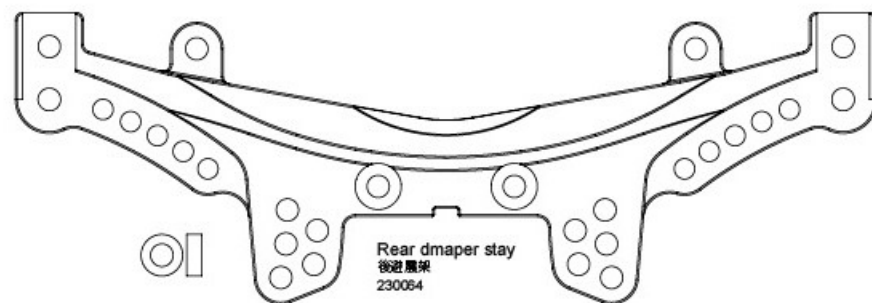
Suspension mount set (+1.0 / -2.0)
下擺臂座組 (+1.0 / -2.0)
230069



Front head set
前機架架組
230065

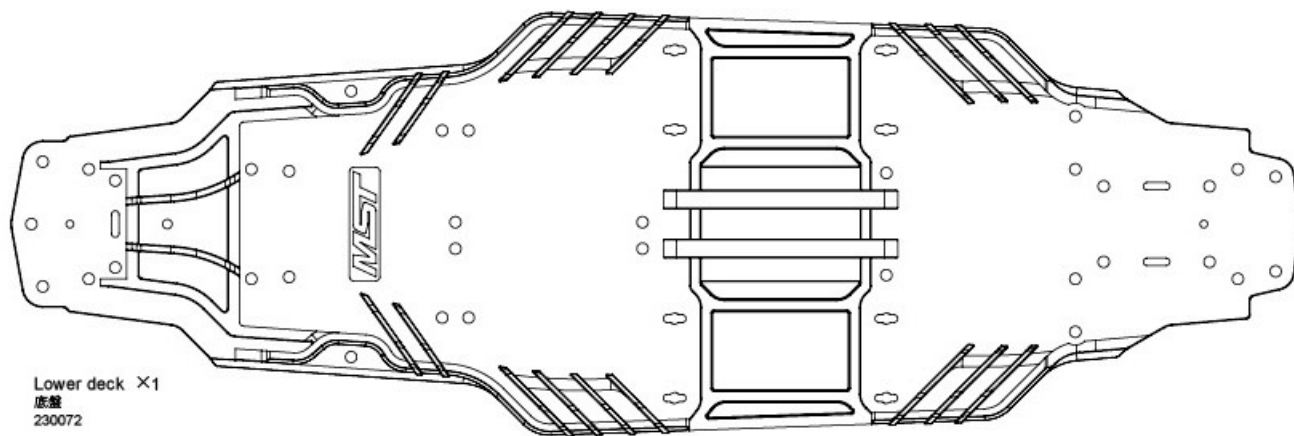


Shaft bush & spacer set
襯套墊片組
230070

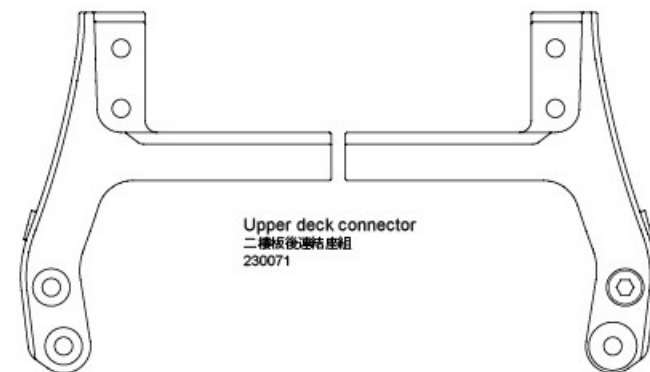


Rear damper stay
後避震架
230064

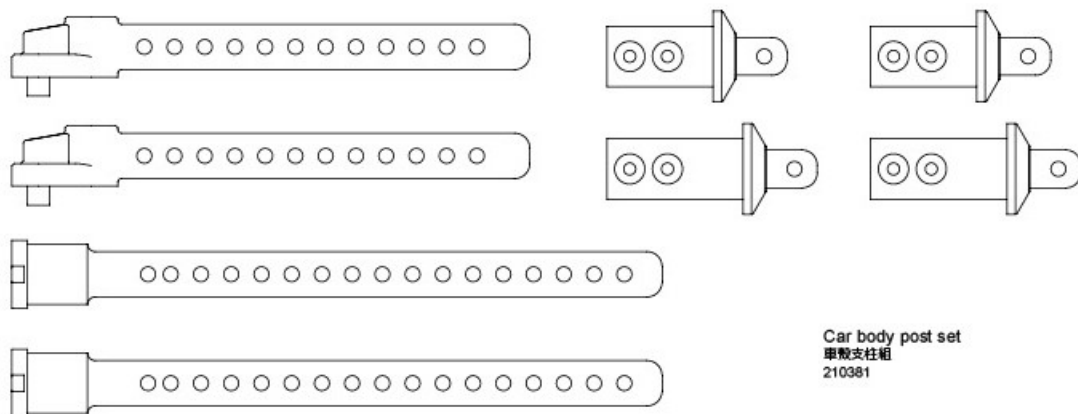
PARTS



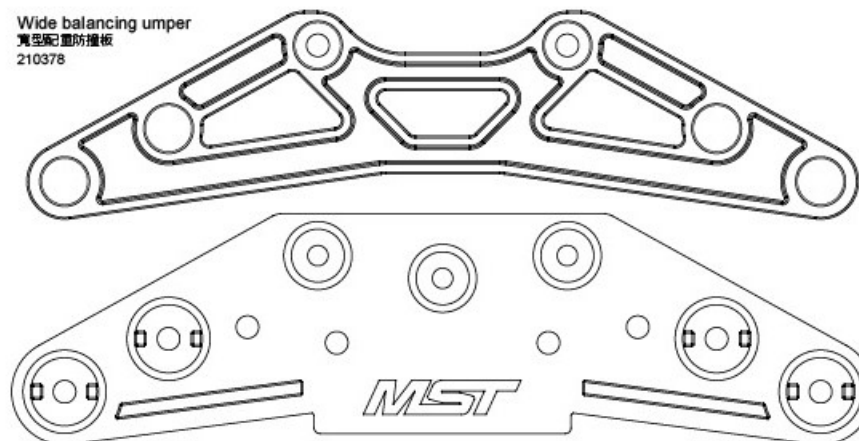
Lower deck ×1
底盤
230072



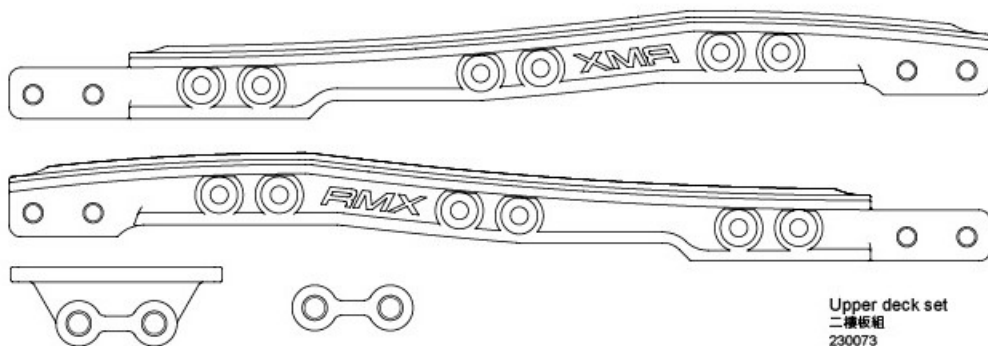
Upper deck connector
二樓板後邊結座組
230071



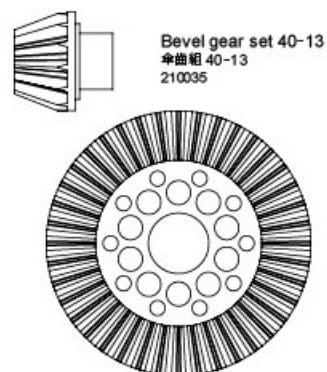
Car body post set
車殼支柱組
210381



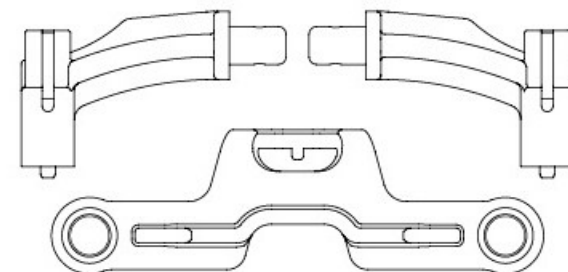
Wide balancing umper
寬型配置防撞板
210378



Upper deck set
二樓板組
230073



Bevel gear set 40-13
傘齒組 40-13
210035



Battery holder set
電池座組
230060

PARTS CODE

110001	Round head screw M3×6 (10)	110099	Countersunk screw M3×4 (10)	210071	Damper cylinder (2)	310006	Wheel axle (2)
110002	Round head screw M3×8 (10)	110100	Cap screw M3×30 (6)	210082	Piston spacer set	310008	Piston rod (4)
110004	Round head screw M2×4 (6)	110101	Countersunk screw M3×20 (6)	210161	Ball connector nut 4.8 (4)	310032	Diff. screw & spring set
110005	Countersunk screw M3×8 (10)	110102	Round head screw M2.5×5 (6)	210344	Ball connector nut L 4.8 (4)	310033	Diff. plate (2)
110011	Cap screw M3×6 (6)	120001	Ball bearing 10×15 (4)	210378	Wide balancing bumper	310047	Arm shaft 2.0×22 (2)
110013	E-clip 2.0 (10)	120002	Ball bearing 5×10 (4)	210379	Rear bumper	310048	Arm shaft 2.5×46 (4)
110015	Flange nut M4 (4)	120003	Ball bearing 5×8 (4)	210381	Car body post set	310053R	Spring retainer (red) (2)
110017	Shaft 2×9.8 (10)	120008	Thrust bearing 2.5×6	210491	Ball connector L 5.8×4 (4)	310064	Bevel gear 16T (2)
110020	Steel ball 3.0 (13)	120011	Ball bearing 5×11 (4)	210510CR	Enlarged brake calipers (red) (4)	310101R	Alum. motor mount (red)
110025	Tapping round head screw 2.6×10 (6)	120017	Bearing 5×8 (4)	220013	Mineral oil #15	310103	Arm shaft 2×28 (2)
110026	Round head screw M3×10 (10)	120018	Ball bearing 4×10×4 (2)	230041	Wheel hubs w/disc shape (large)	310104	Quick-release bevel gear arbor
110035	Set screw M3×3 (6)	120019	Ball bearing 8×12 (2)	230058	Steering arm set	310105	Main shaft
110043	Countersunk screw M3×12 (10)	120024	Bearing 3×6×2.5 (4)	230059	Ball diff. joint	810002	Steel reinforced turnbuckle 3×20 (2)
110045	Round head screw M2×8 (partial thread) (6)	130001	Damper O-ring P3 (red) (10)	230060	Battery mount	810003	Steel reinforced turnbuckle 3×25 (2)
110047	Spacer 3×6×0.5 (8)	130004	Oil seal (4)	230061	Rear gear box set	810015	Steel reinforced turnbuckle 3×40 (2)
110048	Spacer 3×8×0.5 (8)	130006	Double sided tape(5)	230062	Front arm set	820007	Steel CVD great angle universal shaft 48 (2)
110052	Countersunk screw M3×10 (10)	130008	Black grease	230063	Front damper stay	820018	Spacer 5×7×0.1 (8)
110053	Cap screw M2.5×30 (2)	130032	Damper cap O-ring (10)	230064	Rear damper stay	820020	Spacer 5×7×0.3 (8)
110056	Set screw M3×12 (6)	130034	Sponge 20×80×1 (4)	230065	Front head set	820030	Cross joint (2)
110059	Shaft 1.5×7.8 (8)	130035	L Wrench set (1.5 & 2.0 & 2.5)	230066	Front wheel hubs	820063	Suspension mount spacer 0.5mm (4)
110061	Round head screw M3×14 (6)	130036	Tools	230067	4.8 Rod ends set (M/S)	820049	Wheel hub spacer 1.0 (4)
110063	Round head screw M2×8 (6)	130040	Ball diff. grease	230068	Spur gear 48P-80T	820075BK	R-clip 5.0 (black) (10)
110067	Set screw M2.5×2.5 (6)	210031	Reinforced adjuster set 5.8×26	230069	Suspension mount set (+1.0/-2.0)	820079	Damper plastic maintenance set (2)
110070	E-clip 3.0 (10)	210032	Servo horn set (23T/25T)	230070	Shaft bush & spacer set	820095	AKM 2WD axle (2)
110079	E-clip 2.5 (10)	210035	Bevel gear set 40-13	230071	Upper deck connector	820103-3	31mm Hard coil spring (soft) (2)
110080	Spacer 2.6×5.8×0.6 (8)	210057	Damper cap set	230072	Lower deck	820104-3	31mm Soft coil spring (soft) (2)
110086	Round head screw M3×16 (6)	210063W	Shaft bush & spacer set (white)	230073	Upper deck set		
110091	Cap screw M3×40 (6)	210070	HT Rear lower arm (4 holes) & wheel hub	310001	Ball connector 4.8×4.5 (5)		

部品編號

110001	六角半圓頭螺絲 M3×6 (10)	110099	六角沉頭螺絲 M3×4 (10)	210071	避震器筒身 (2)	310006	萬向接杆 (2)
110002	六角半圓頭螺絲 M3×8 (10)	110100	六角有頭螺絲 M3×30 (半牙) (6)	210082	避震器活塞墊片組	310008	避震軸心 (4)
110004	六角半圓頭螺絲 M2×4 (6)	110101	六角沉頭螺絲 M3×20 (6)	210161	球頭螺帽 4.8 (4)	310032	滾差彈簧螺絲組
110005	六角沉頭螺絲 M3×8 (10)	110102	六角半圓頭螺絲 M2.5×5 (6)	210344	球頭螺帽L 4.8 (4)	310033	滾差壓板 (2)
110011	六角有頭螺絲 M3×6 (半牙) (6)	120001	培林 10×15 (4)	210378	寬形配重防撞板	310047	擺臂插銷 2.0×22 (2)
110013	E扣 2.0 (10)	120002	培林 5×10 (4)	210379	後防撞板	310048	擺臂插銷 2.5×46 (4)
110015	凸緣螺帽 M4 (4)	120003	培林 5×8 (4)	210381	車殼支柱組	310053R	避震器調整環 (紅) (2)
110017	插銷 2×9.8 (10)	120008	止推培林 2.5×6	210491	球頭螺絲 L 5.8×4 (4)	310064	傘齒 16T (2)
110020	差速鋼珠 3.0 (13)	120011	培林 5×11 (4)	210510CR	加大煞車卡鉗 (紅) (4)	310101R	鋁合金馬達座 (紅)
110025	自攻六角半圓頭螺絲 2.6×10 (6)	120017	軸承 5×8 (4)	220013	礦物油 #15	310103	擺臂插銷 2×28 (2)
110026	六角半圓頭螺絲 M3×10 (10)	120018	培林 4×10×4 (2)	230041	碟型六角輪座組 (加大型)	310104	快拆齒軸
110035	六角止付螺絲 M3×3 (6)	120019	培林 8×12 (2)	230058	轉向搖臂組	310105	主齒軸
110043	六角沉頭螺絲 M3×12 (10)	120024	軸承 3×6×2.5 (4)	230059	滾差接杆組	810002	鋼製強化可調拉桿 3×20 (2)
110045	六角半圓頭螺絲 M2×8 (半牙) (6)	130001	阻尼器O環 P3 (紅) (10)	230060	電池座組	810003	鋼製強化可調拉桿 3×25 (2)
110047	墊片 3×6×0.5 (8)	130004	避震氣室 (4)	230061	後齒箱組	810015	鋼製強化可調拉桿 3×40 (2)
110048	墊片 3×8×0.5 (8)	130006	泡棉雙面膠 (5)	230062	前擺臂組	820007	鋼製大角度CVD傳動軸 48 (2)
110052	六角沉頭螺絲 M3×10 (10)	130008	黑色油膏	230063	前避震架	820018	墊片 5×7×0.1 (8)
110053	六角有頭螺絲 M2.5×30 (半牙) (2)	130032	避震上蓋O環 (10)	230064	後避震架	820020	墊片 5×7×0.3 (8)
110056	六角止付螺絲 M3×12 (6)	130034	吸震泡棉 20×80×1 (4)	230065	前擔支架組	820030	連接軸 (2)
110059	插銷 1.5×7.8 (8)	130035	L板手組 (1.5 & 2.0 & 2.5)	230066	前輪座組	820063	擺臂座墊片 0.5mm (4)
110061	六角半圓頭螺絲 M3×14 (6)	130036	工具包	230067	4.8 拉桿頭組 (M/S)	820049	輪座墊片 1.0 (4)
110063	六角半圓頭螺絲 M2×8 (6)	130040	滾珠差速油	230068	大齒盤 48P-80T	820075BK	R銷 5.0 (黑) (10)
110067	六角止付螺絲 M2.5×2.5 (6)	210031	強化拉桿頭組 5.8×26	230069	下擺臂座組 (+1.0/-2.0)	820079	避震膠件包 (2)
110070	E扣 3.0 (10)	210032	伺服機輪片組 (23T/25T)	230070	襯套墊片組	820095	AKM 二驅輪軸 (2)
110079	E扣 2.5 (10)	210035	傘齒組 40-13	230071	二樓板後連結座組	820103-3	31mm 硬避震彈簧 (軟) (2)
110080	墊片 2.6×5.8×0.6 (8)	210057	避震器上下蓋組	230072	底座	820104-3	31mm 軟避震彈簧 (軟) (2)
110086	六角半圓頭螺絲 M3×16 (6)	210063W	襯套墊片組 (白)	230073	二樓板組		
110091	六角有頭螺絲 M3×40 (半牙) (6)	210070	HT 後下擺臂 (4孔) & 輪座	310001	內六角公球頭 4.8×4.5 (5)		

026152-1