



MST
MAX SPEED TECHNOLOGY

XXX-D S

1/10 DRIFT CHASSIS

INSTRUCTION MANUAL

ON ROAD USE ONLY
FULL BALL BEARINGS

WHEELBASE : STANDARD 257mm (adjustable)
WIDTH : STANDARD 190mm (adjustable)
GEAR RATIO : 1.89 (34T/18T)
CASTER : 8 degrees variableness
CAMBER : 0 to -12 degrees

www.rc-mst.com

* SPECIFICATION ARE SUBJECT TO CHANGE WITHOUT NOTICE



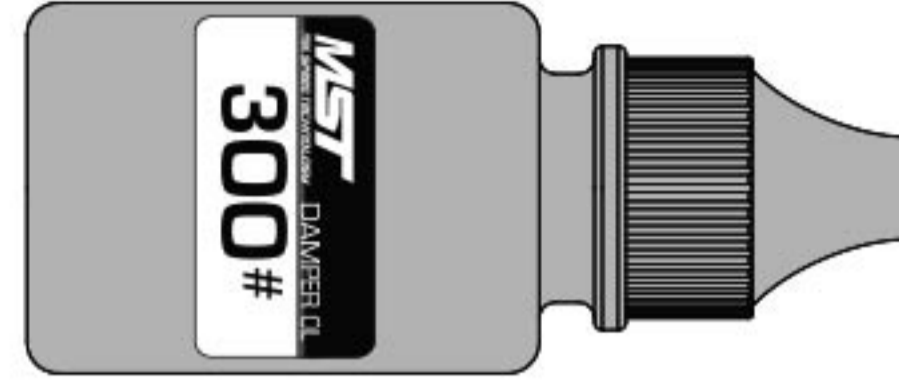
0.05" L Wrench
板手



1.27
Hex



6.5×2 sponge ×1
泡棉



Damper oil #300
避震油 #300



Black grease
黑油



Ball diff. grease
滾珠差速油



1.5 L Wrench
板手



1.5
Hex



2×9.8 pin (with flat spot) ×1
插銷 (刮槽)



5.5 & 7.0 Alum. wrench
套筒板手



5.5×4 wrench
板手



2.0 L Wrench
板手



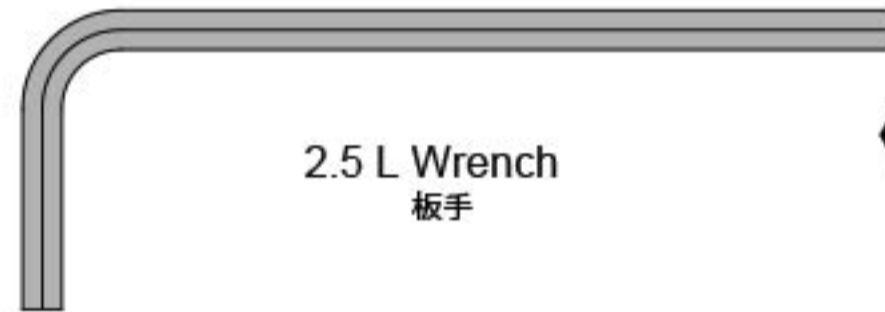
2.0
Hex



M2×8 screw ×1
圓頭螺絲 (半牙)



3×35 Pin
插銷



2.5 L Wrench
板手



2.5
Hex



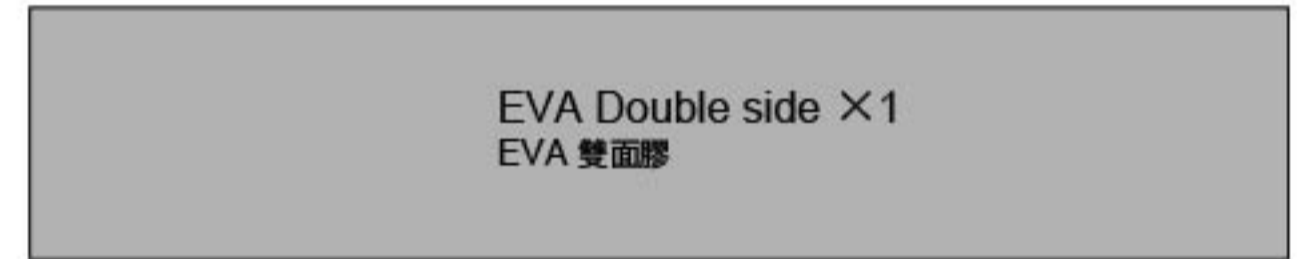
M3×3 screw ×1
止付螺絲



158×12 Sponge tape ×1
泡棉膠



20×80 Sponge tape ×2
泡棉膠



EVA Double side ×1
EVA 雙面膠

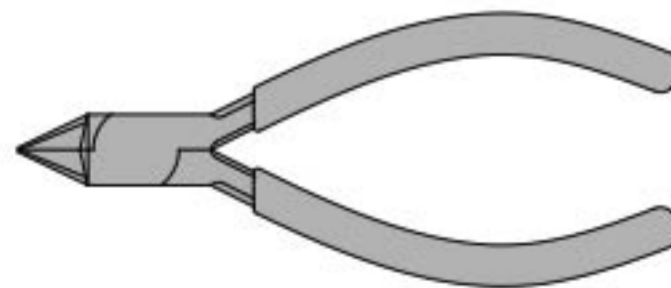


R-clip ×4
R形扣

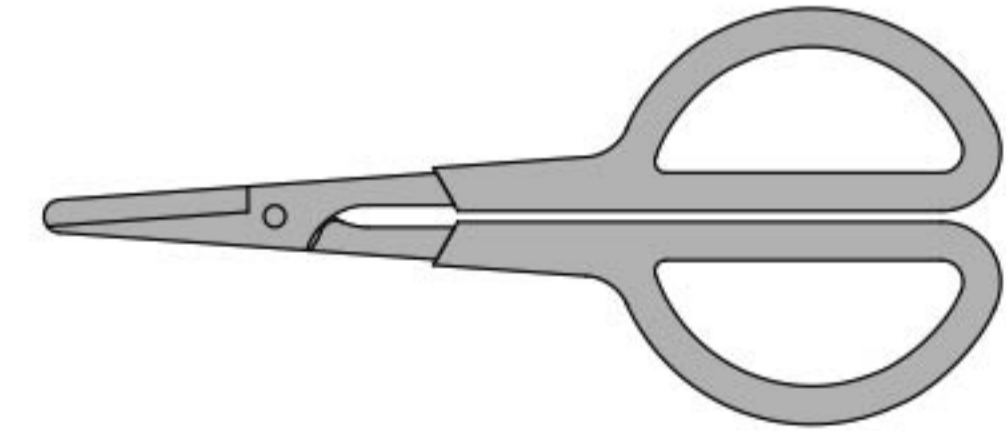
NECESSARY TOOLS FOR ASSEMBLY 工具需求
(NOT INCLUDED IN KIT) [另購]



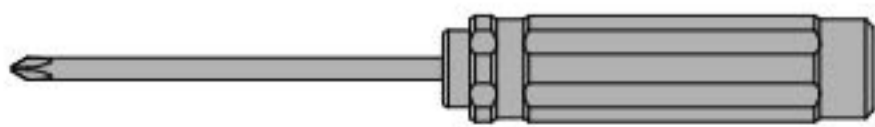
Hobby knife
美工刀



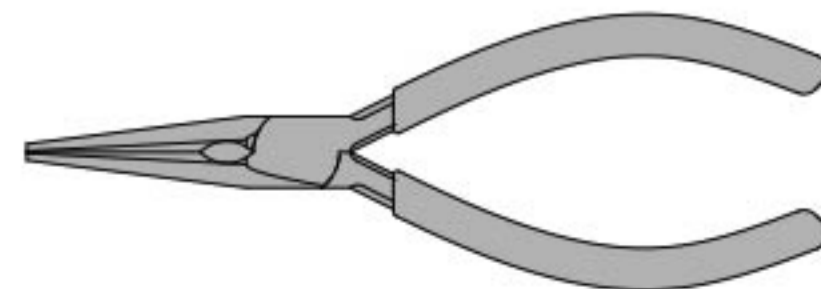
Side cutter
斜口鉗



Scissors
剪刀



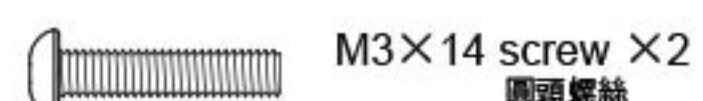
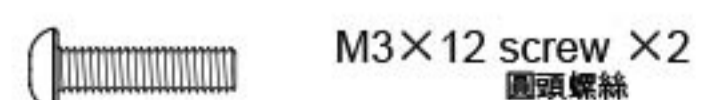
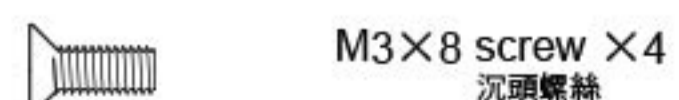
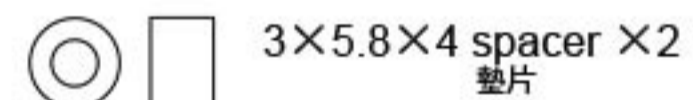
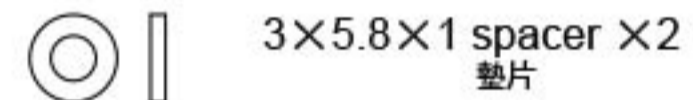
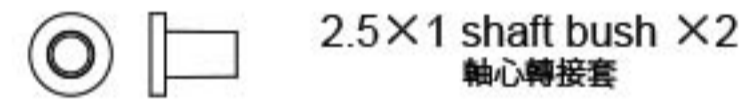
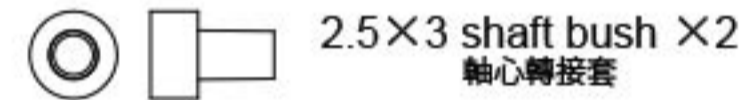
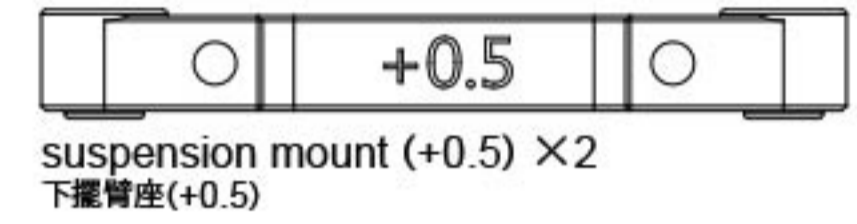
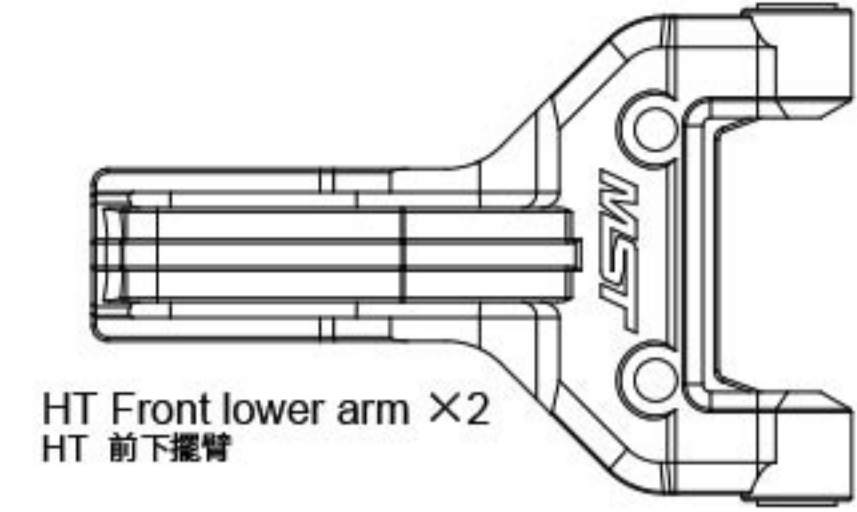
Screwdriver
螺絲起子



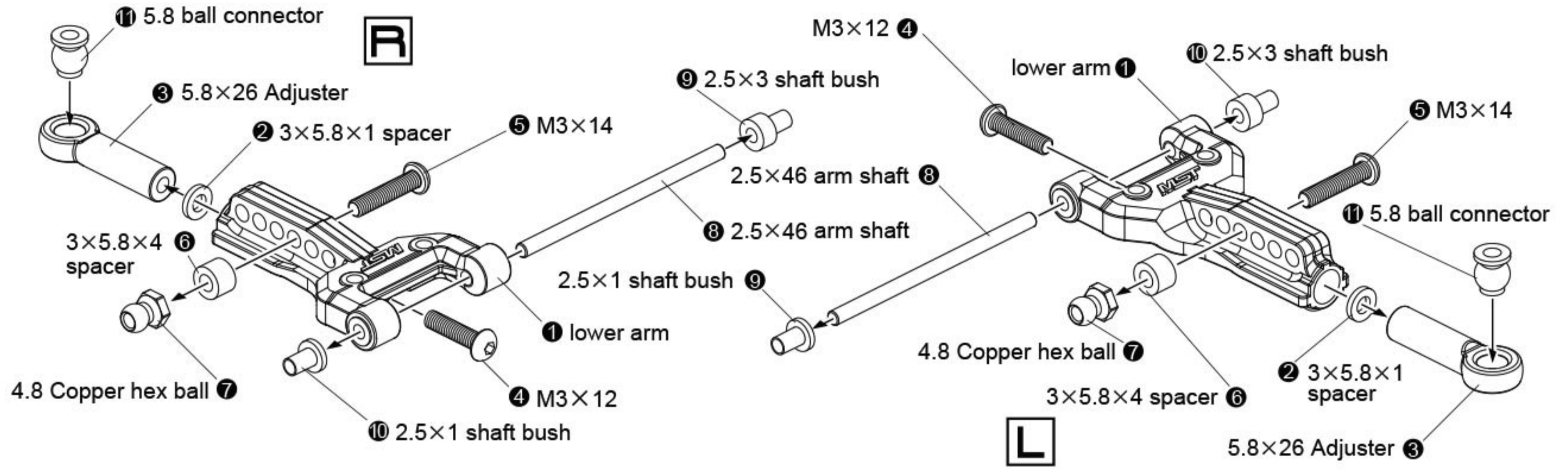
Needle nose pliers
尖嘴鉗

Please follow the assembling figures and instructions closely for your [XXX-D S] best performance!
請依照說明書圖示步驟安裝以發揮 [XXX-D S] 最好效能!

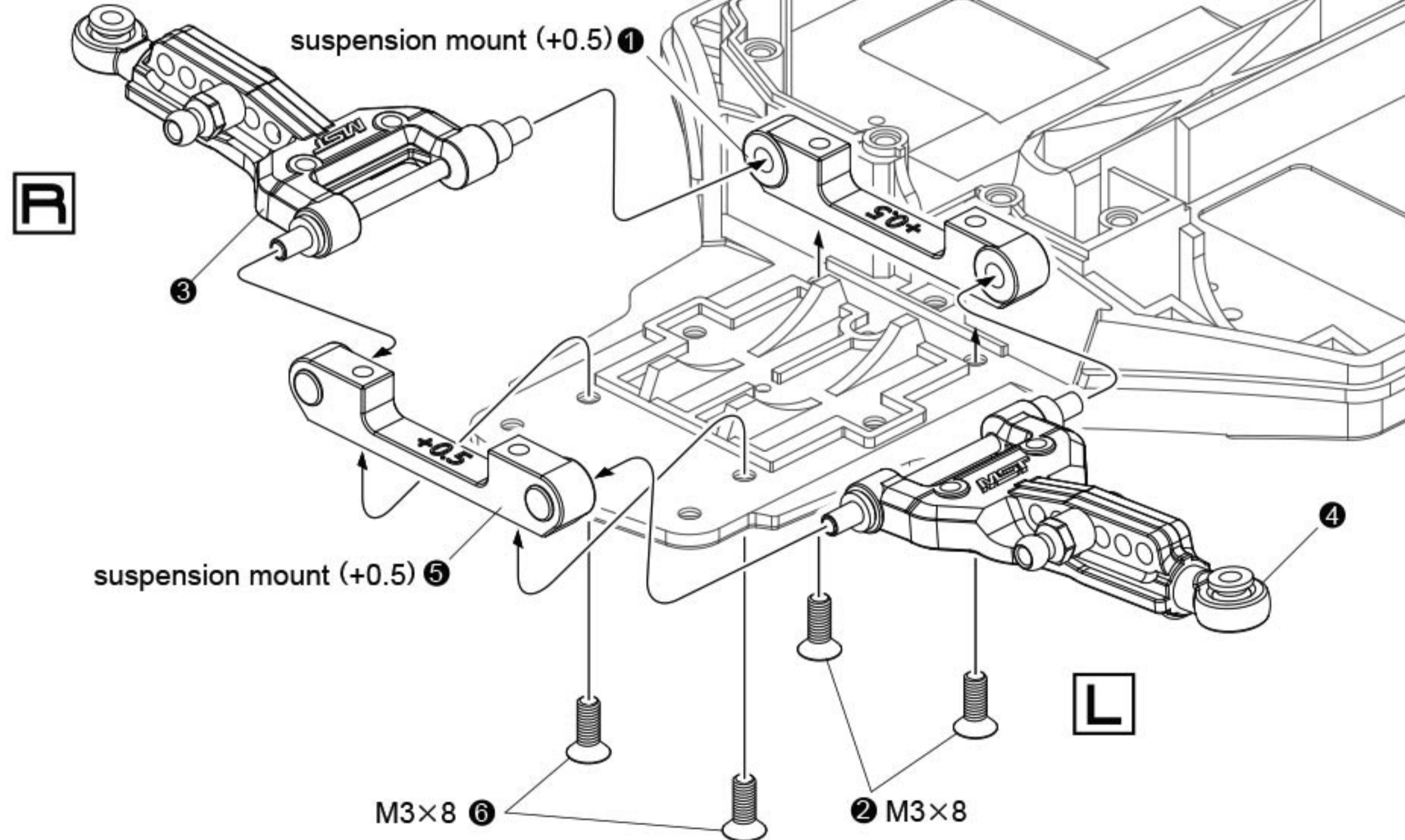
FRONT LOWER ARM
前下擺臂



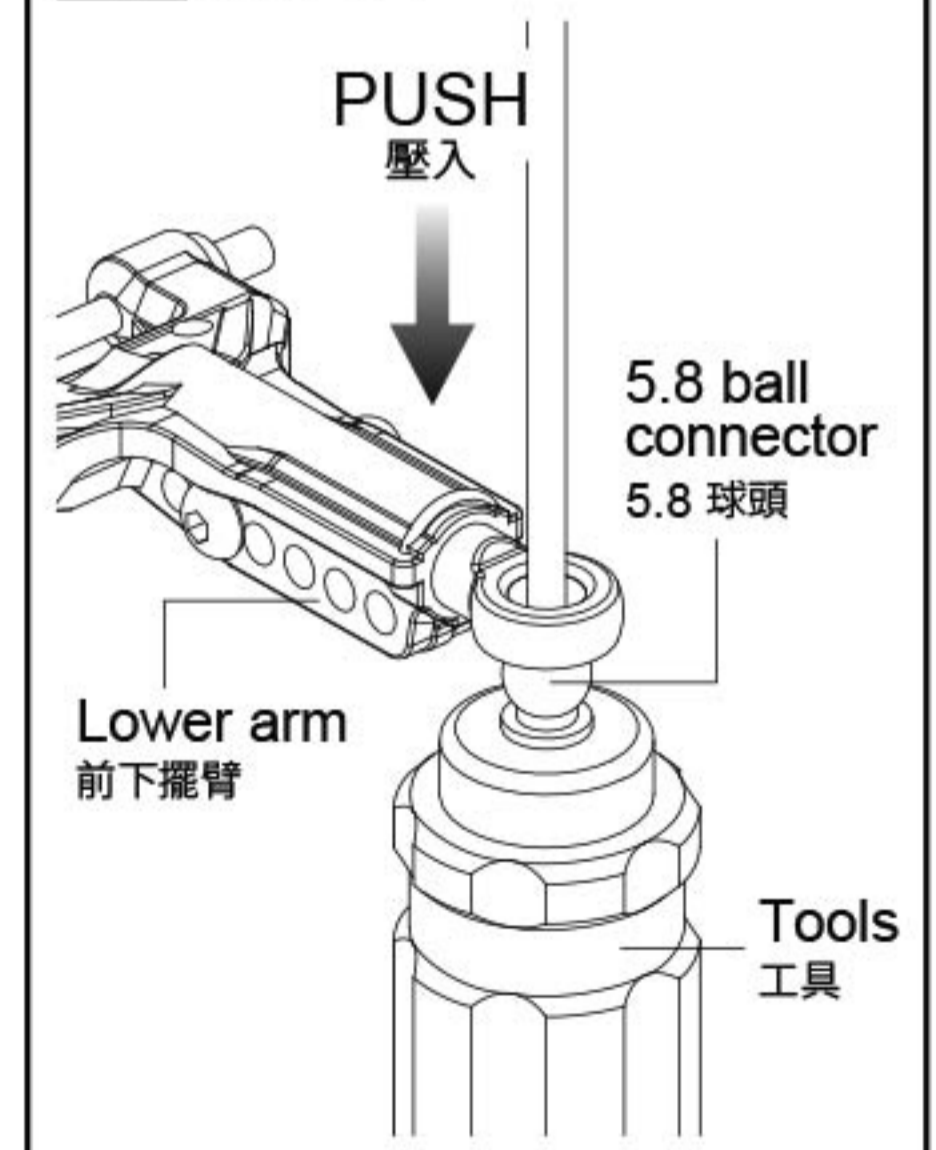
STEP 1 Front lower arm assembly
前下擺臂組裝

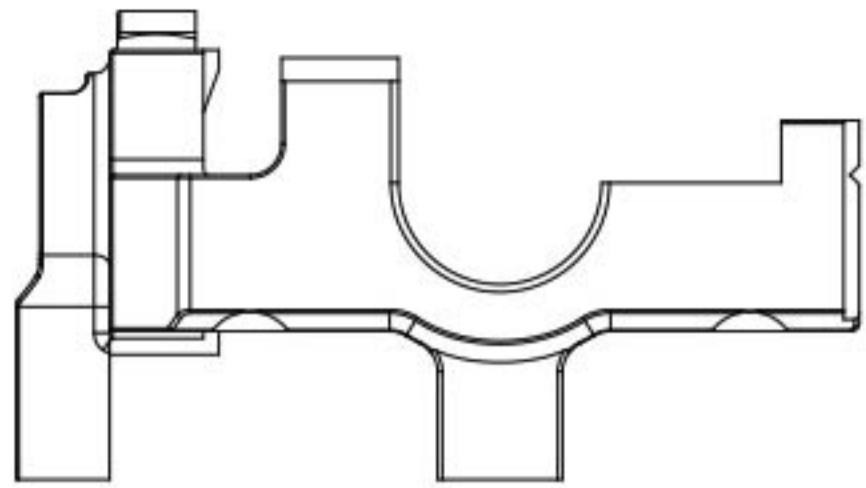


STEP 2 Attaching front lower arms
安裝前下擺臂

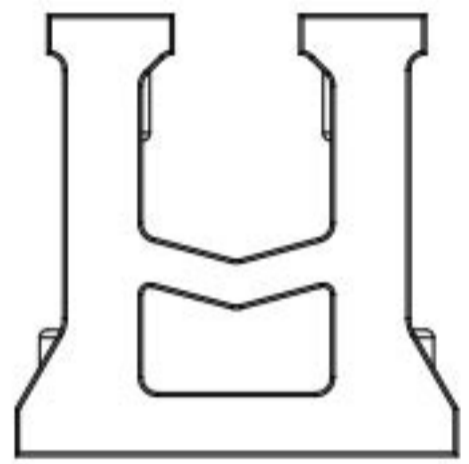


ASSEMBLY TIPS
組裝小技巧





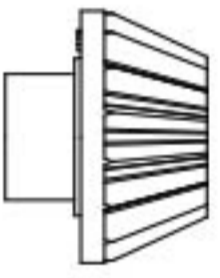
Gear box mount × 1
齒箱下座



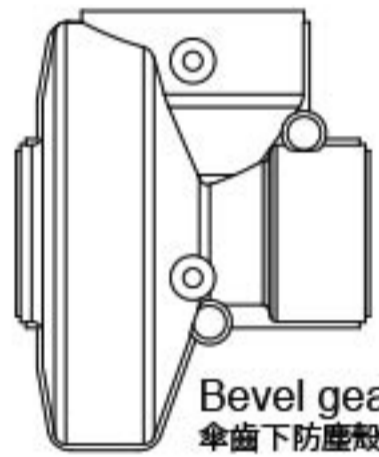
Upper deck support × 1
二樓板連結座



6.5×2 sponge × 1
泡棉



Bevel gear 16T × 1
傘齒



Bevel gear lower dust cover (RM) × 1
傘齒下防塵殼(後置)



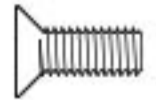
5×7×0.3 spacer × 1
墊片



8×14 ball bearing × 1
培林



5×10 ball bearing × 1
培林



M3×8 screw × 5
沉頭螺絲



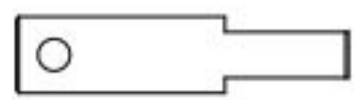
M2×6 screw × 1
圓頭螺絲



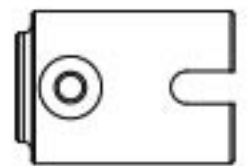
M2×8 screw × 1
圓頭螺絲(半牙)



M2×6 screw × 2
沉頭螺絲

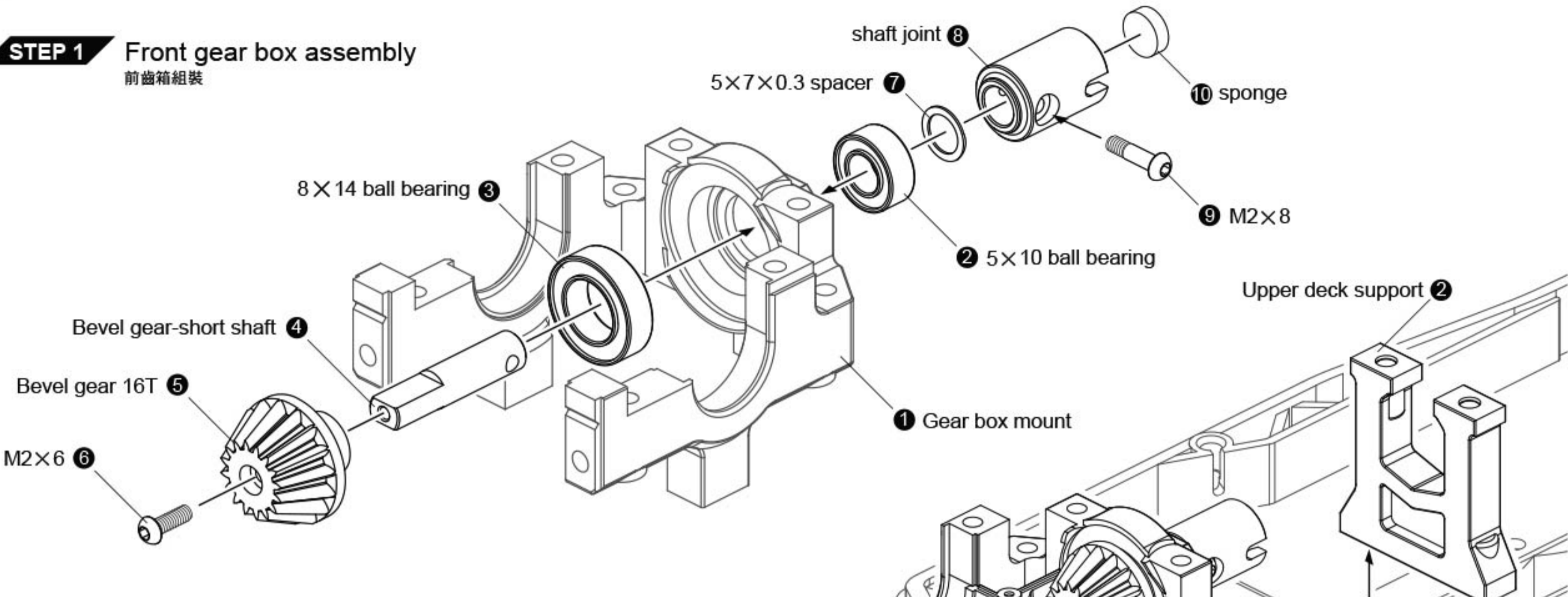


Bevel gear-short shaft × 1
傘齒短軸

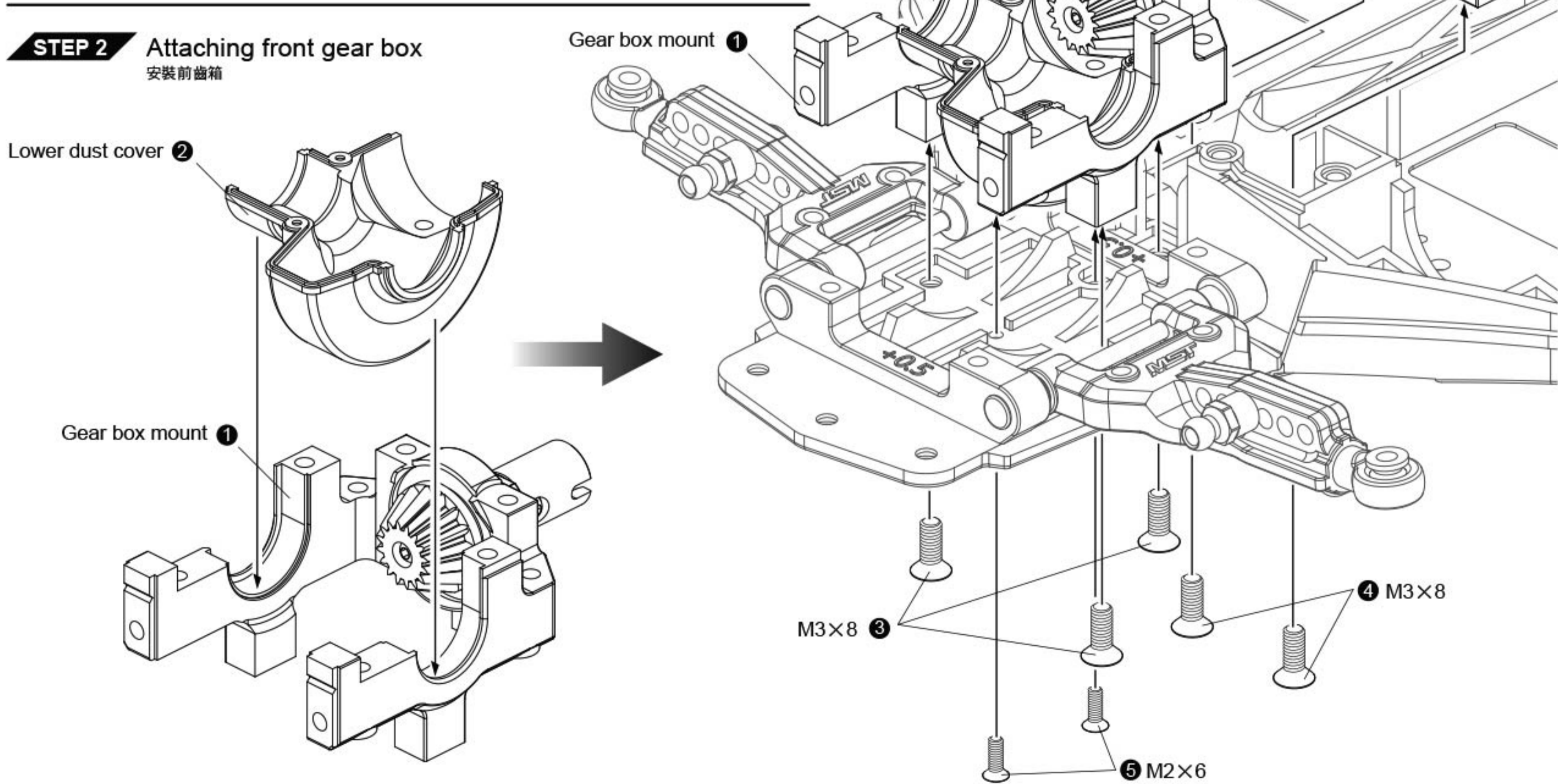


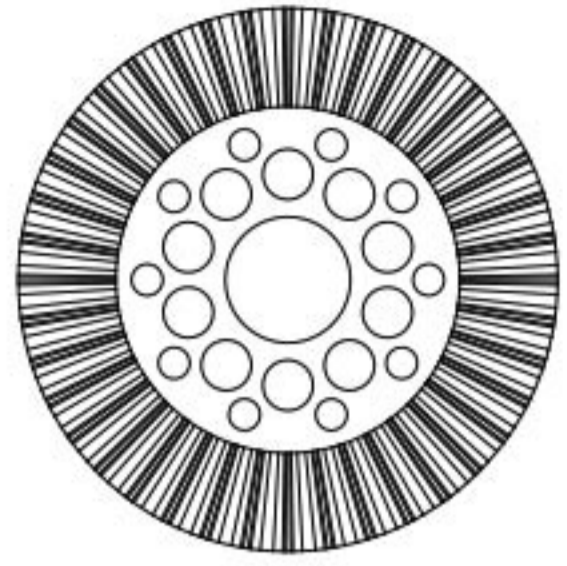
Propeller shaft joint × 1
中軸接杯

STEP 1 Front gear box assembly
前齒箱組裝



STEP 2 Attaching front gear box
安裝前齒箱

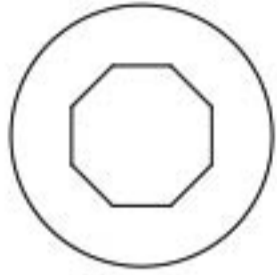




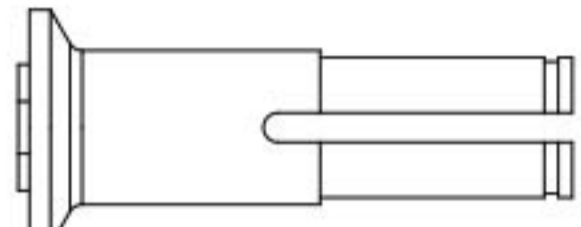
Bevel gear 40T x 1
傘齒



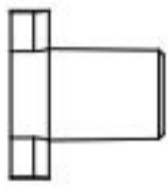
Joint ring x 2
接杯環



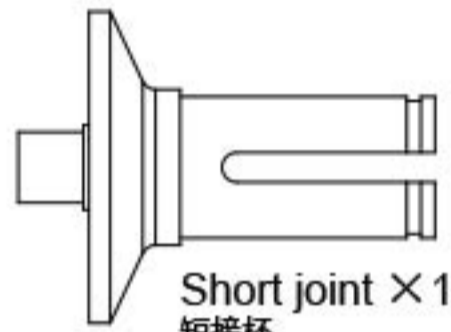
Diff. plate x 2
滾差壓板



Long joint x 1
長接杯



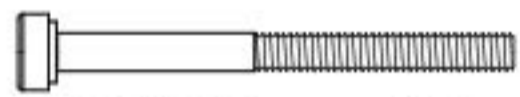
Diff. nut x 1
滾差螺帽座



Short joint x 1
短接杯

Steel ball 1.5 x 10
鋼珠 1.5

Steel ball 3.0 x 11
鋼珠 3.0



M2.5 x 30 screw x 1
有頭螺絲(半牙)



Diff. spring x 1
滾差彈簧



2.5 x 6 spacer x 2
2.5 x 6 鋼板



5 x 8 x 2.5 Bush x 2
襯套

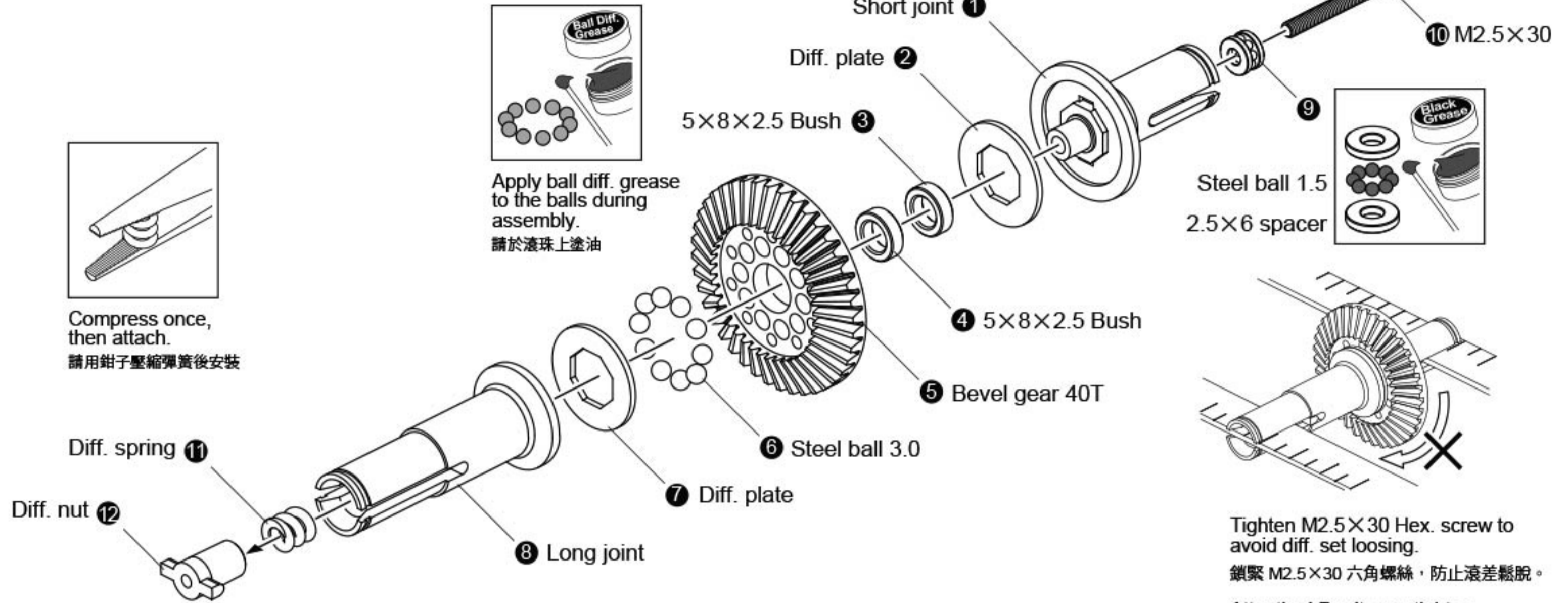


10 x 12 x 0.3 spacer x 3
墊片

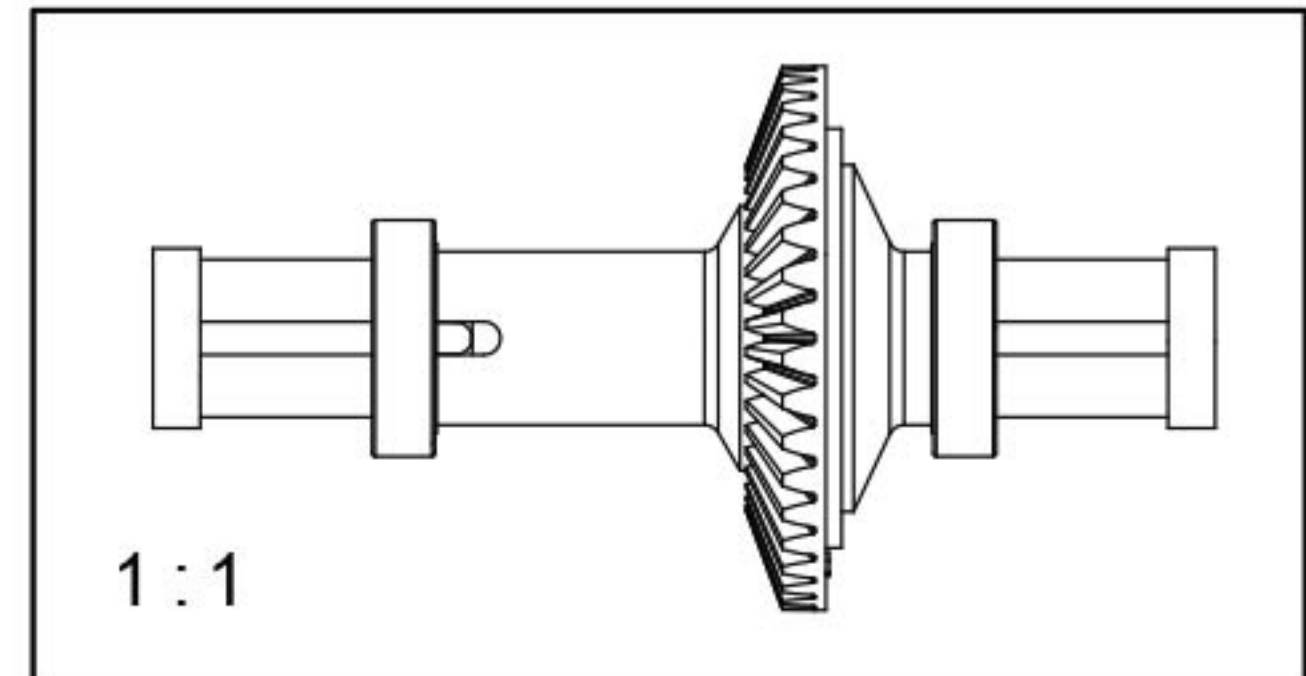
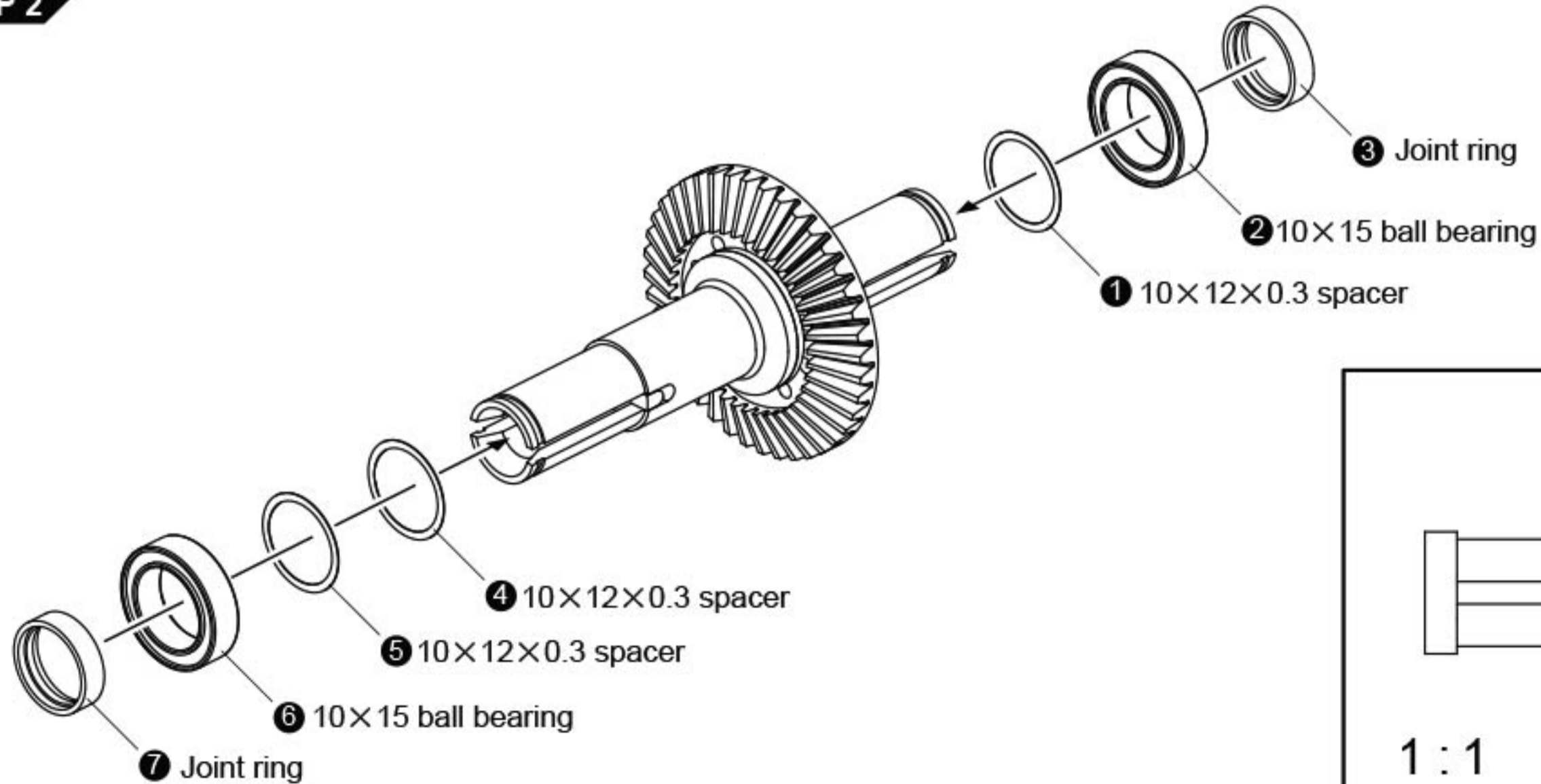


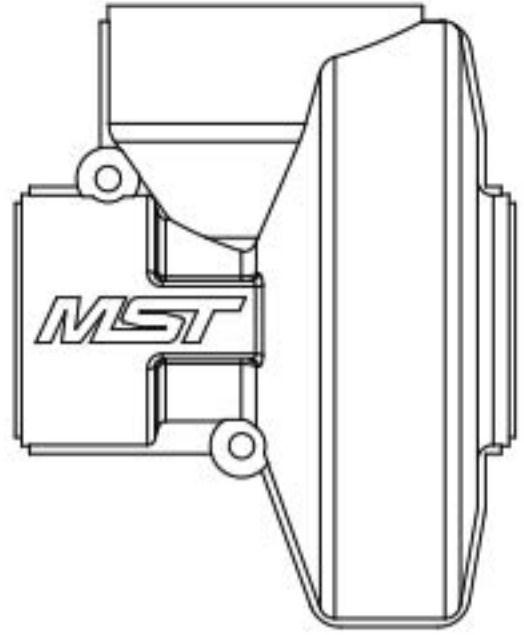
10 x 15 ball bearing x 2
培林

STEP 1 Front diff. set assembly
前滾差組裝

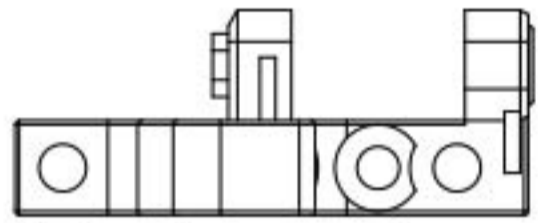


STEP 2

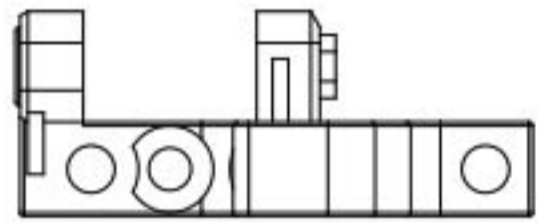




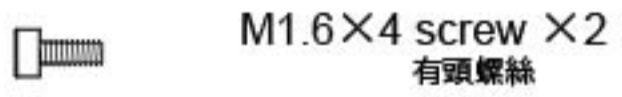
Bevel gear upper dust cover (RM) x1
傘齒上防塵殼(後置)



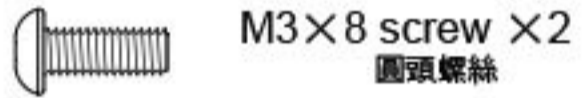
HT gear box cover A x1
HT齒箱上蓋A



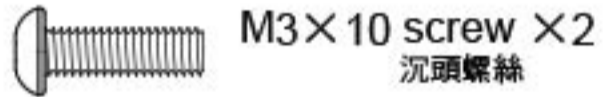
HT gear box cover B x1
HT齒箱上蓋B



M1.6x4 screw x2
有頭螺絲

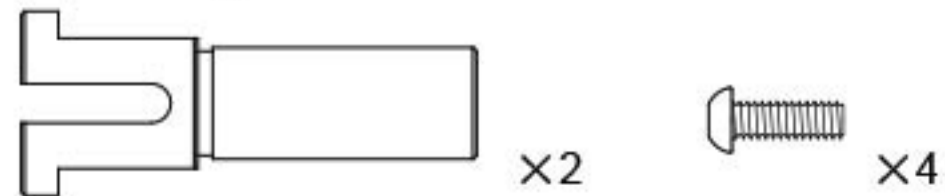
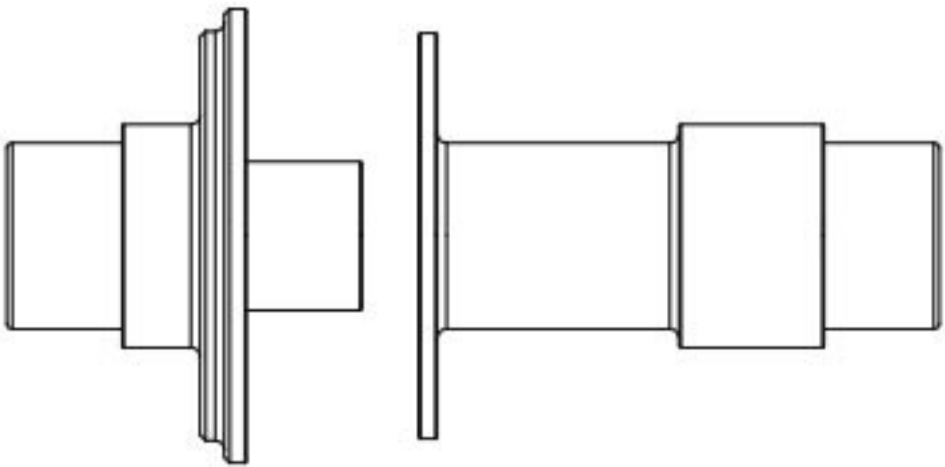


M3x8 screw x2
圓頭螺絲



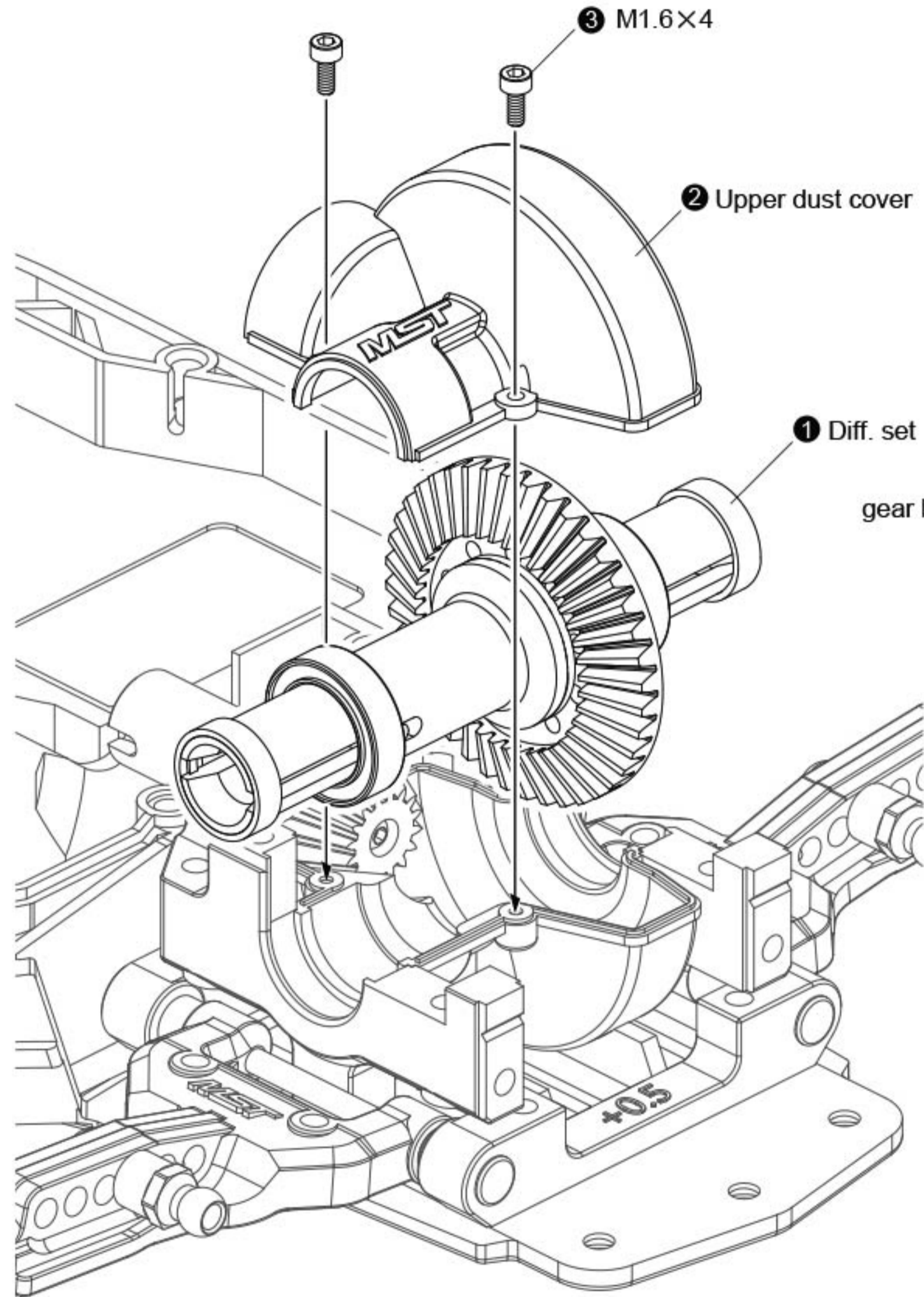
M3x10 screw x2
沉頭螺絲

OPTIONAL PARTS

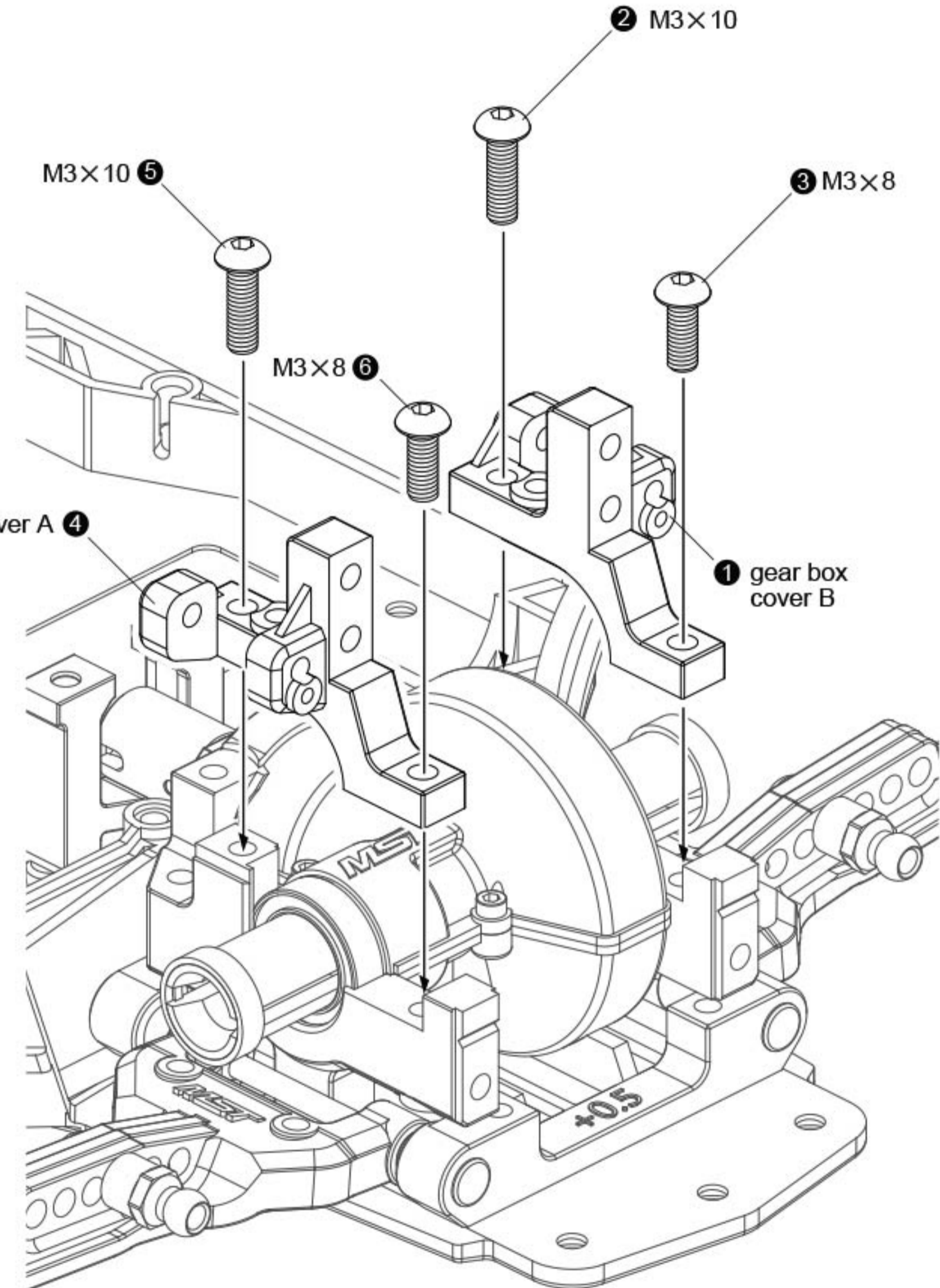


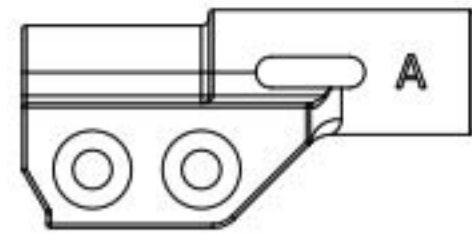
210221 XXX Alum. one way unit (RM)
XXX 鋁合金前單向組 (後置)

STEP 1 Attaching front diff. set
安裝前滾差

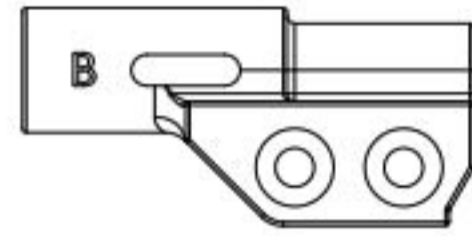


STEP 2 Attaching front gear box cover
安裝前齒箱上蓋





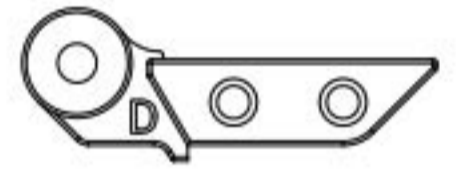
Front upper arm A × 1
前上擺臂A



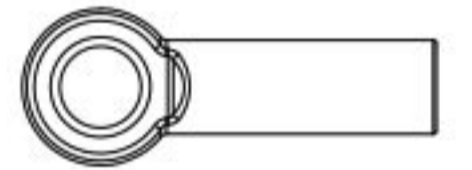
Front upper arm B × 1
前上擺臂B



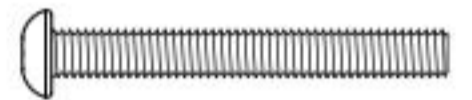
Front upper arm C × 1
前上擺臂C



Front upper arm D × 1
前上擺臂D



5.8×26 Adjuster × 2
拉桿頭



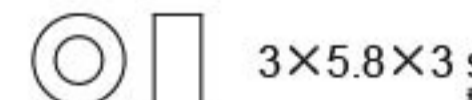
M3×25 screw × 2
圓頭螺絲



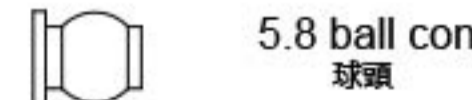
M2.5×6 screw × 4
圓頭螺絲



M2×4 screw × 2
圓頭螺絲



3×5.8×3 spacer × 2
墊片

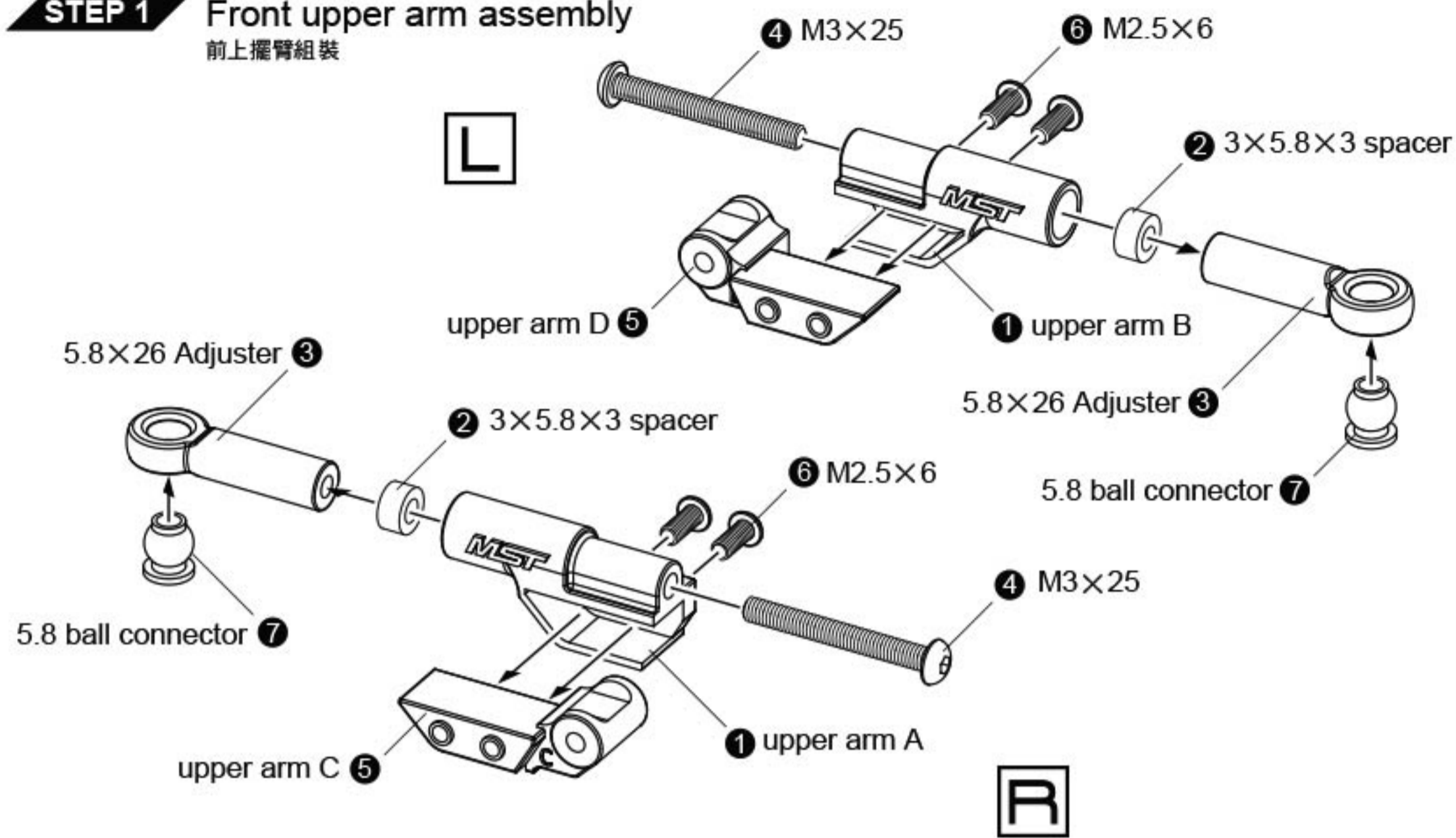


5.8 ball connector × 2
球頭

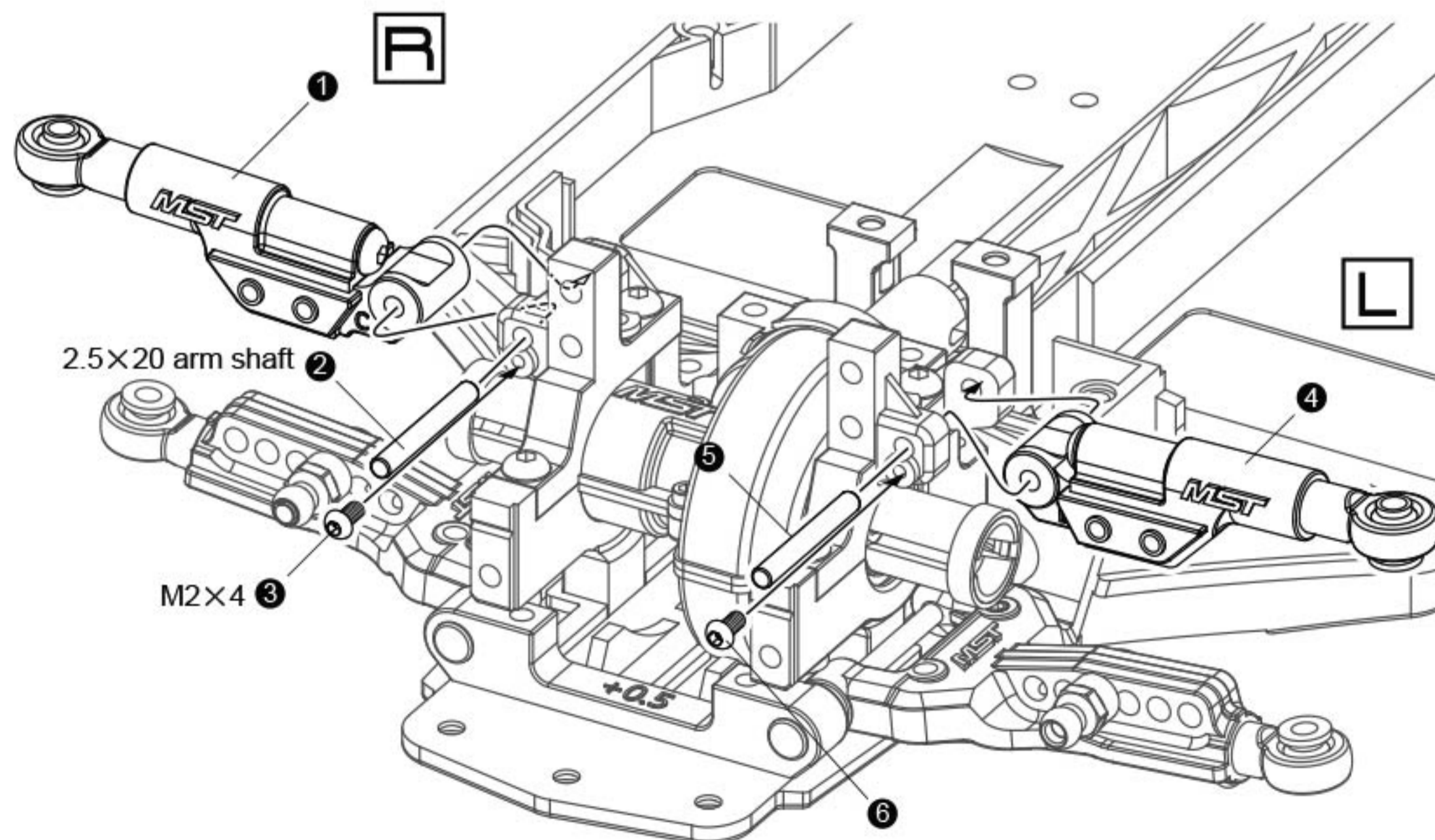


2.5×20 arm shaft × 2
擺臂插銷

STEP 1 Front upper arm assembly
前上擺臂組裝



STEP 2



CASTER SETTING

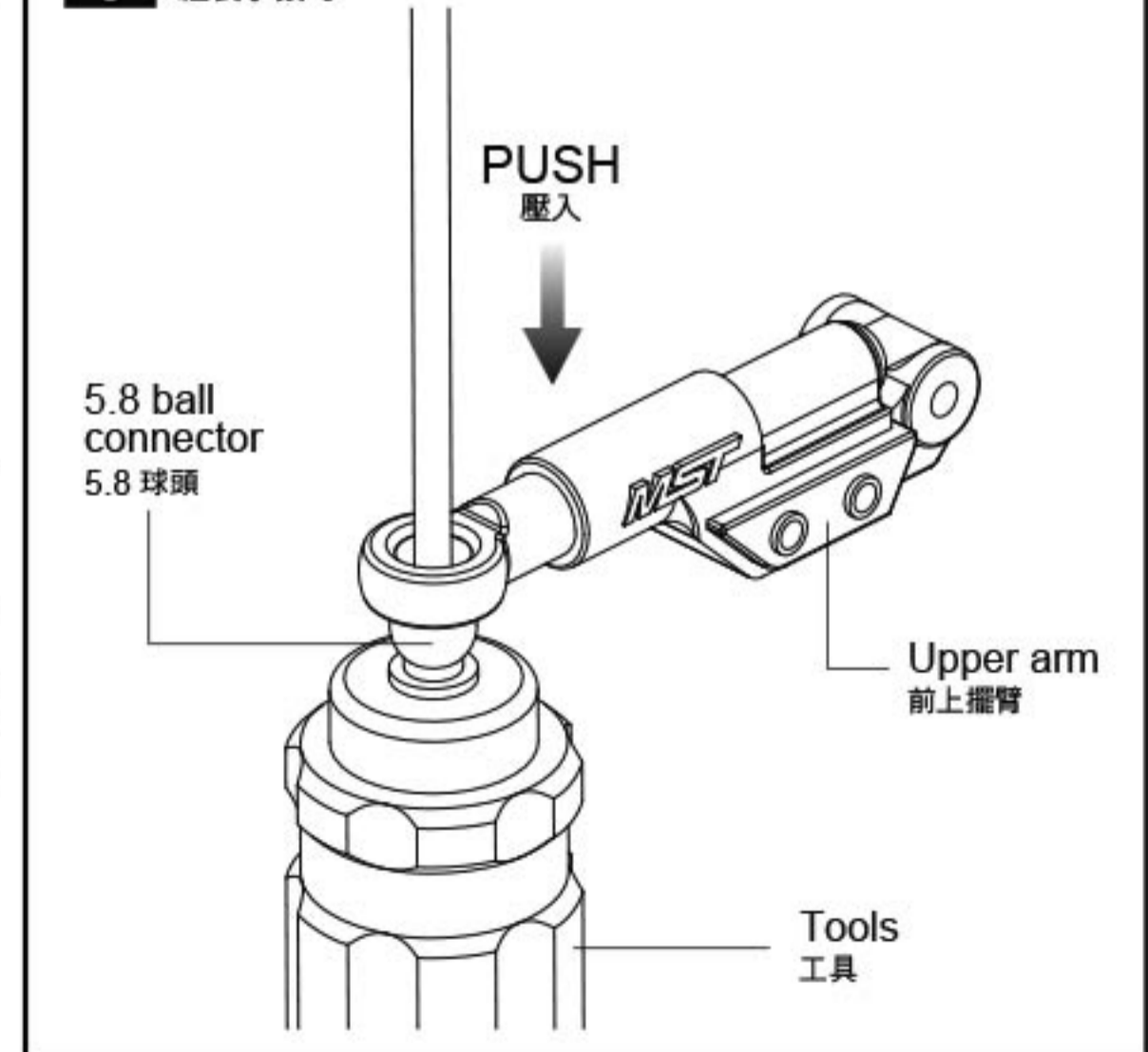
A, C, E, are available for swapping using.
Please refer to below instructions.
Below diagrams are for right arm installation.

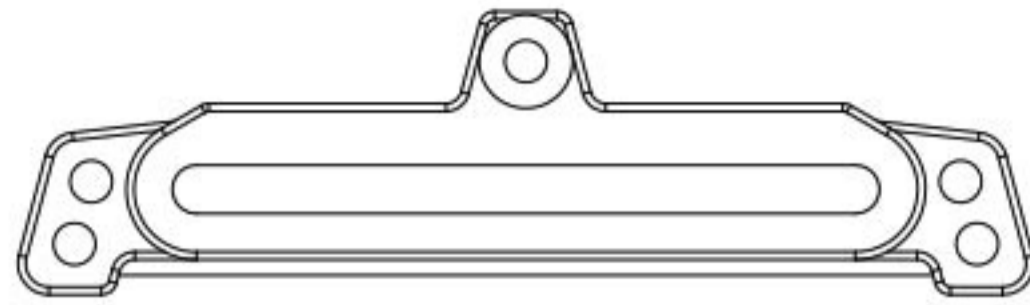
FRONT

CASTER	UPPER ARM			
16°	A	E	E	C
12°	A	E		C
8°	A			C

Please change screw M2.5×6 to M2.5×10 for caster 12°/16°.

ASSEMBLY TIPS
組裝小技巧





Steering rail × 1
轉向滑軌



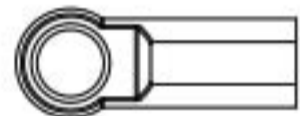
4.8×4.5 copper ball connector × 3
銅製球頭螺絲



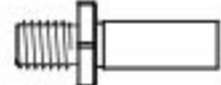
3×5×0.2 spacer × 2
墊片



Rail pulley × 2
轉向滑輪



4.8 adjuster × 6
拉桿頭



Rail post × 2
軸承支柱



Rail spacer × 2
轉向滑輪墊片

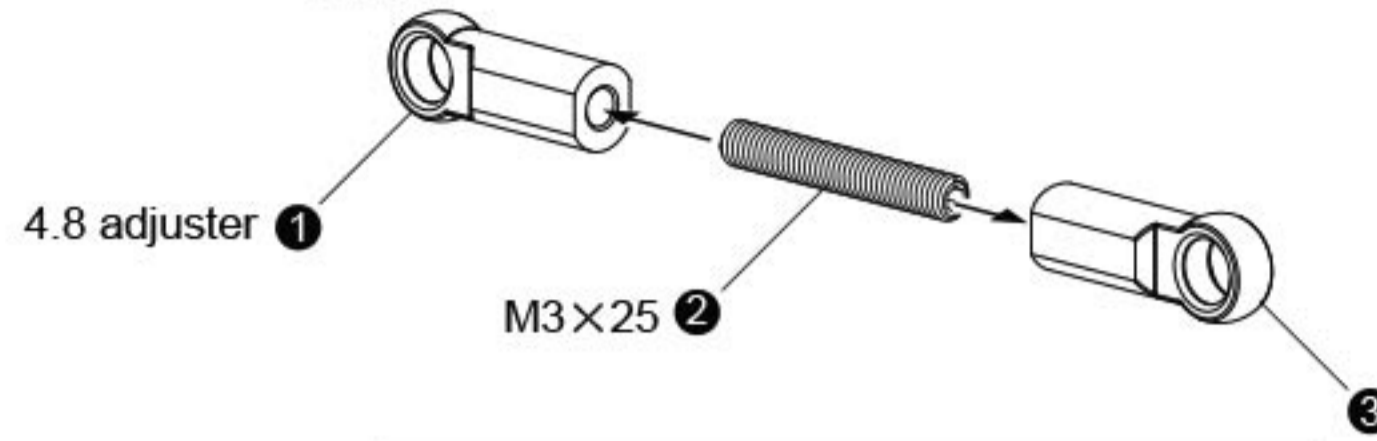


M2×4 screw × 2
圓頭螺絲

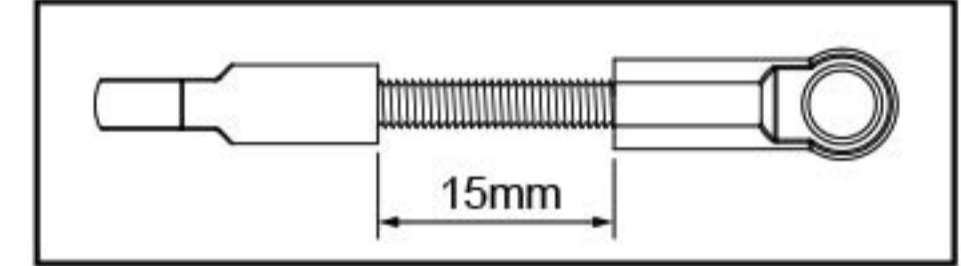
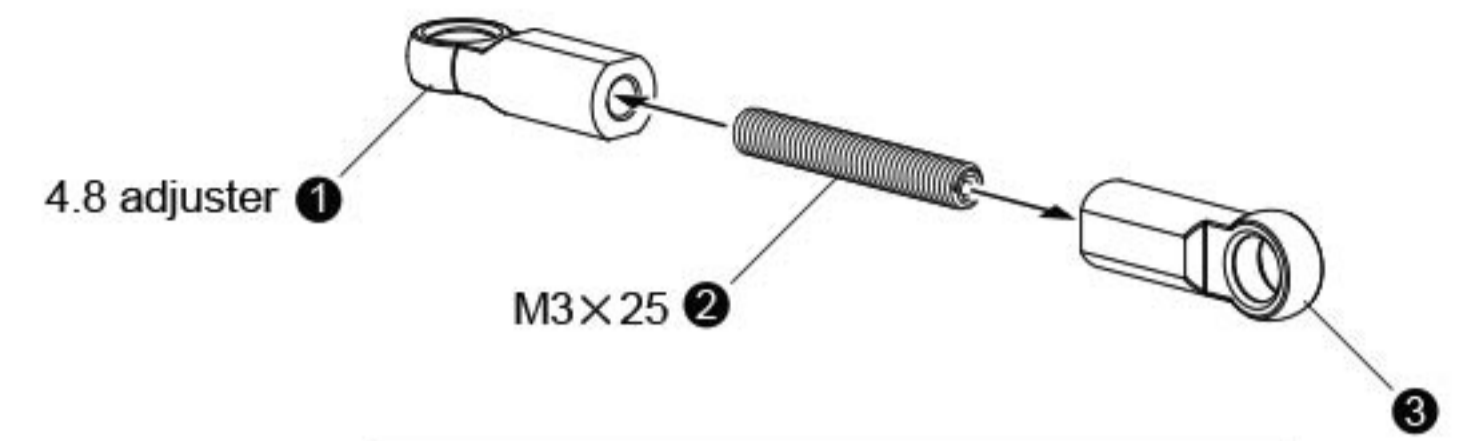
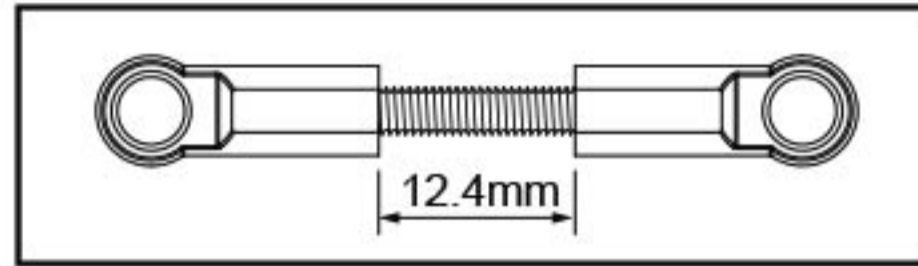


M3×25 screw × 3
止付螺絲

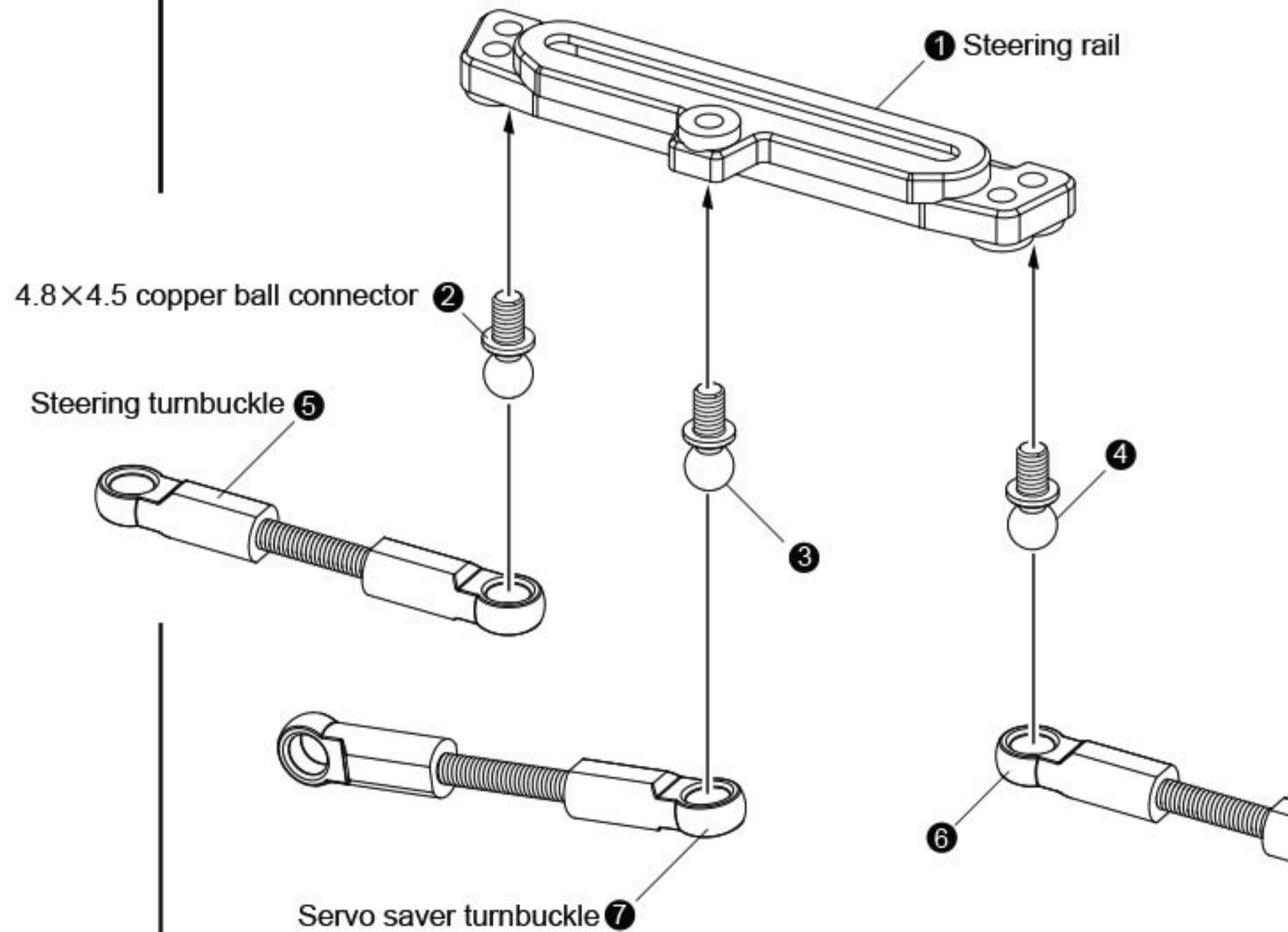
STEP 1 turnbuckle assembly
拉桿組裝



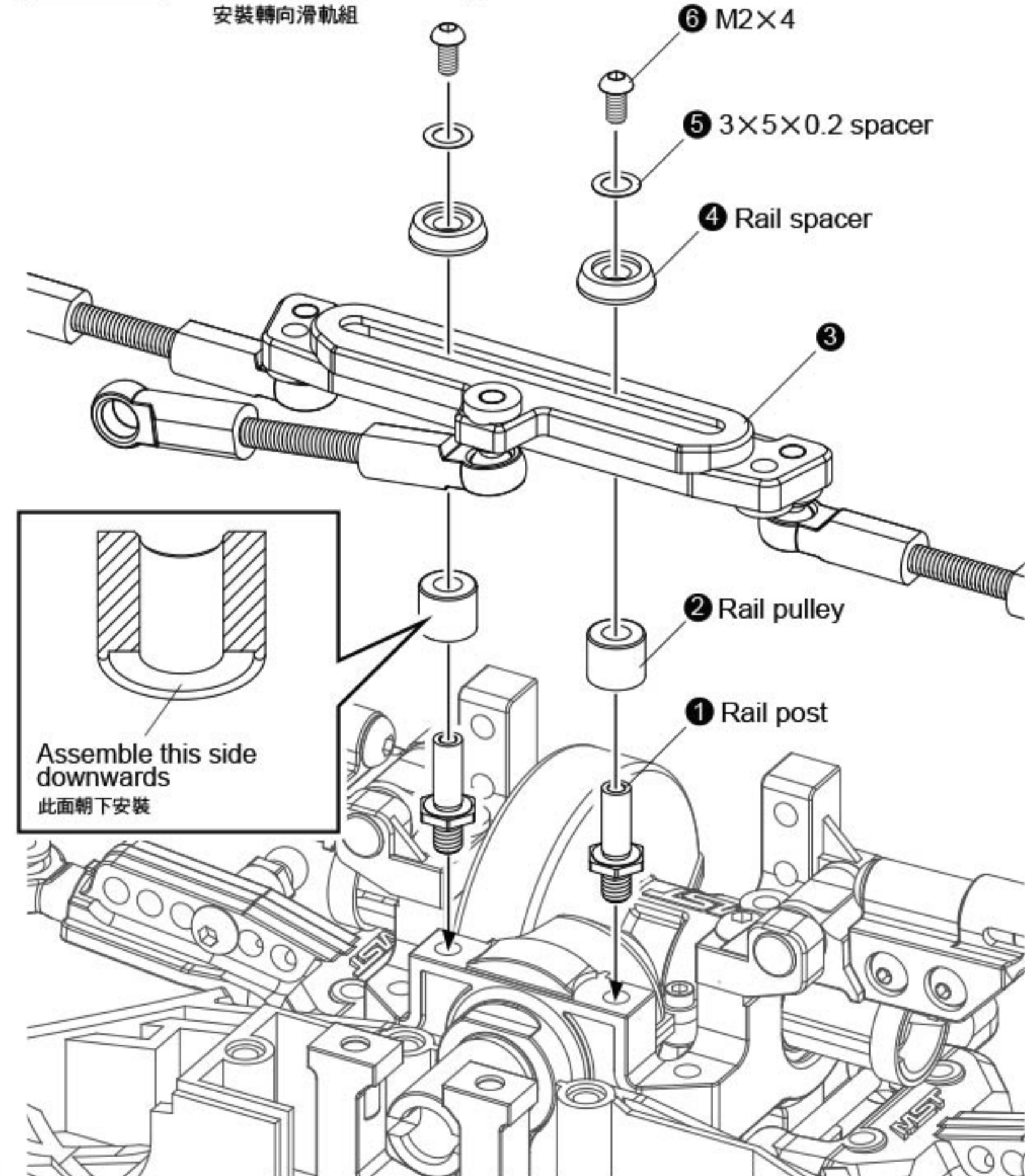
X2
Make 2

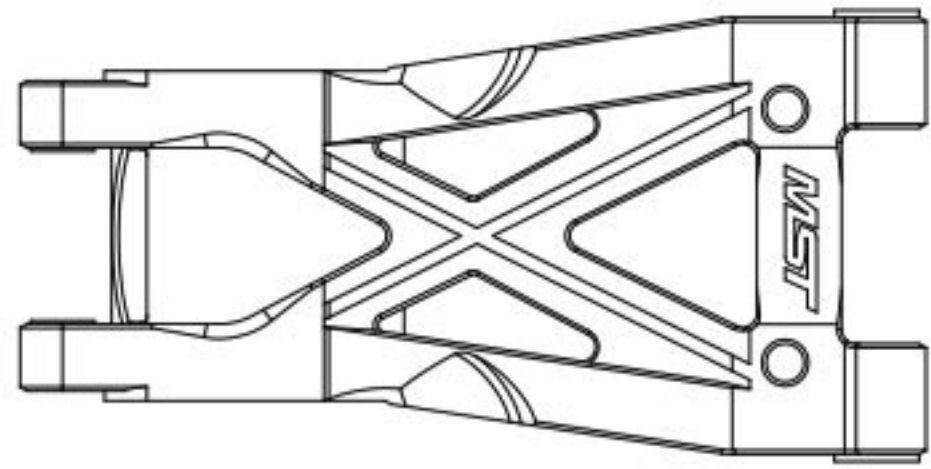


STEP 2 Steering rail assembly
轉向滑軌組裝

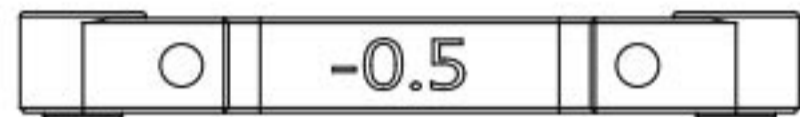


STEP 3 Attaching steering rail
安裝轉向滑軌組

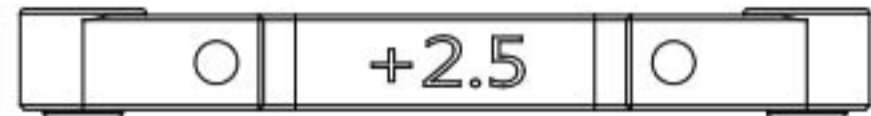




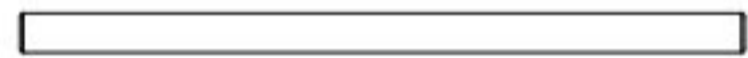
HT rear lower arm ×2
HT後下擺臂



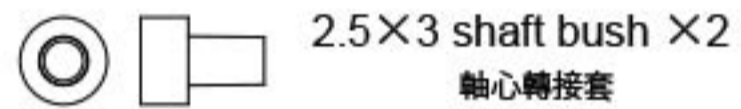
suspension mount (-0.5) ×1
下擺臂座(-0.5)



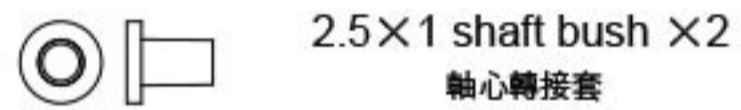
suspension mount (+2.5) ×1
下擺臂座(+2.5)



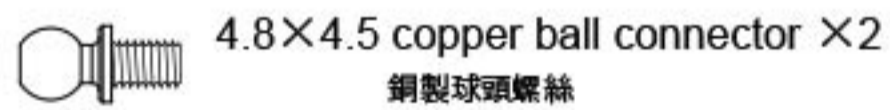
2.5×46 arm shaft ×2
擺臂插銷



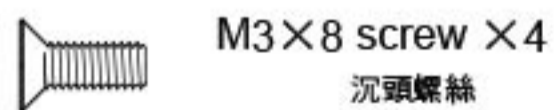
2.5×3 shaft bush ×2
軸心轉接套



2.5×1 shaft bush ×2
軸心轉接套



4.8×4.5 copper ball connector ×2
銅製球頭螺絲



M3×8 screw ×4
沉頭螺絲

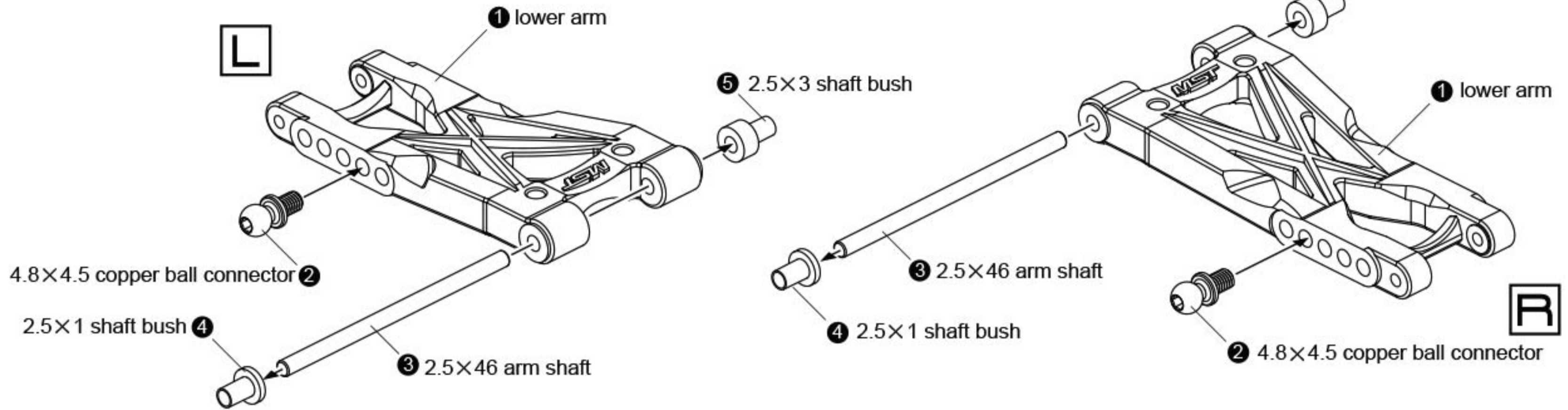
OPTIONAL PARTS



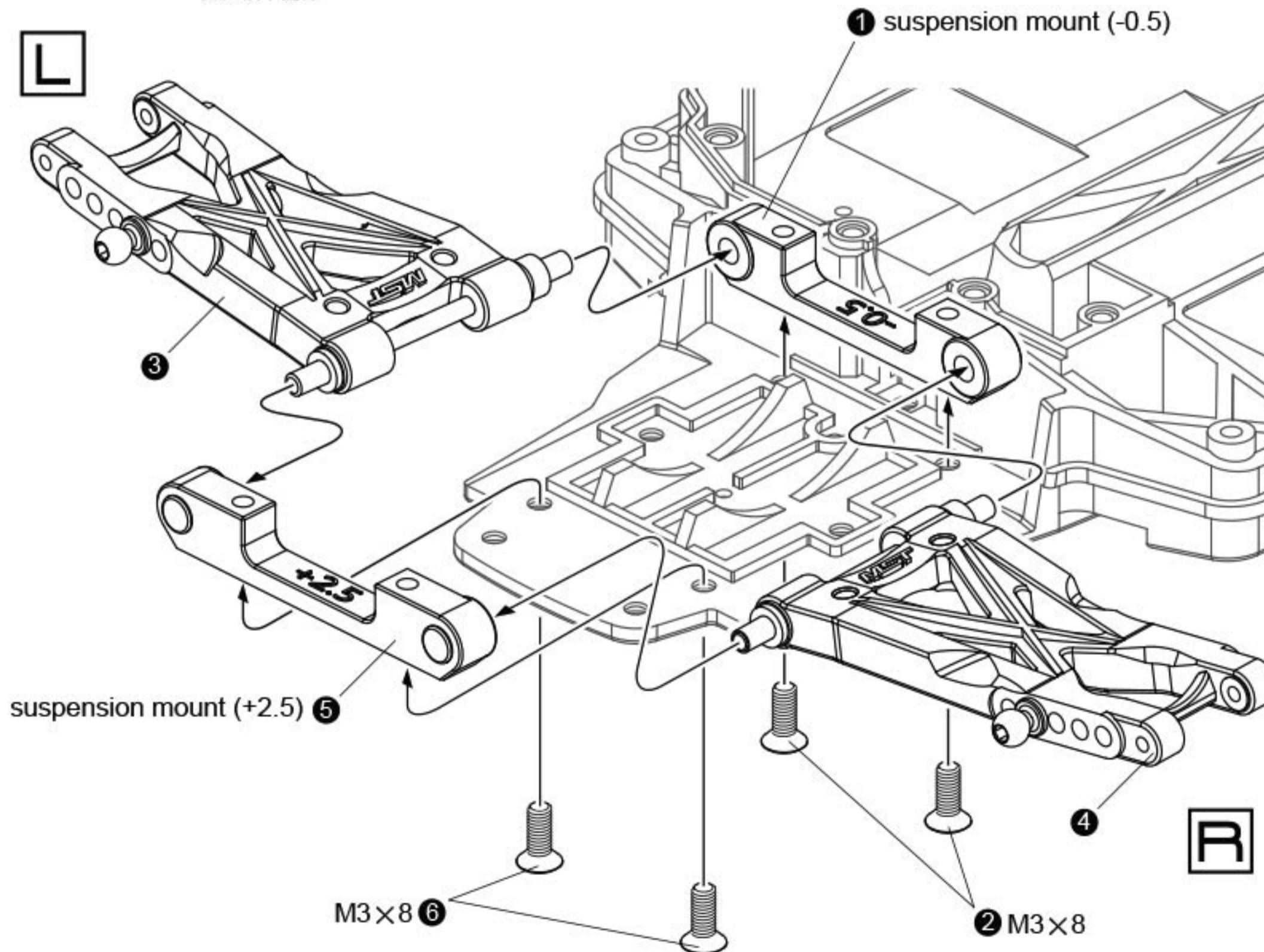
820039 Alum. suspension mount (+2.5)
鋁合金擺臂座 (+2.5)

※ 210321 suspension balls 2.5×5 is required for Alum. suspension mount installing.
以上搭配 (210321) 插銷球頭才可使用。

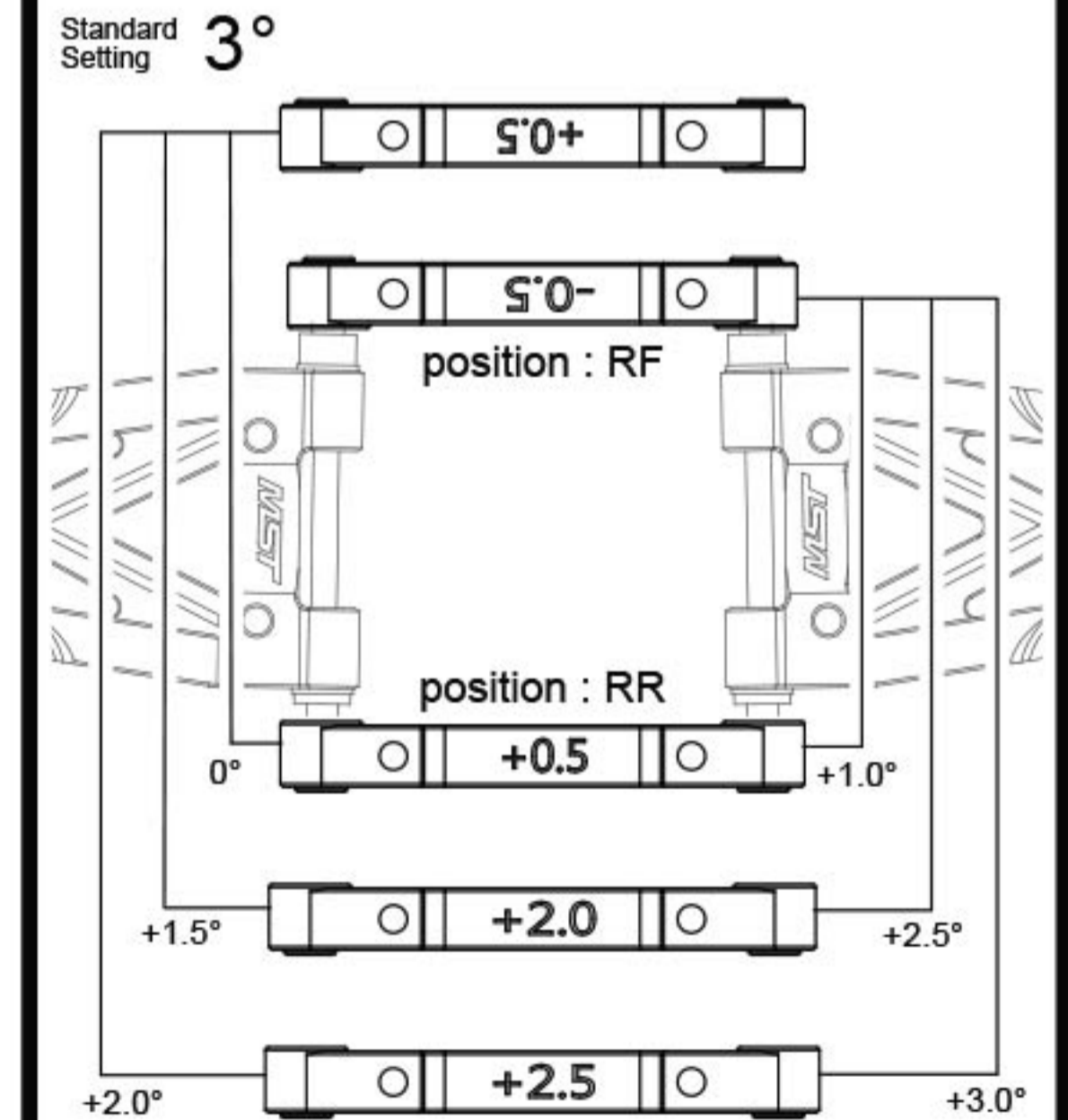
STEP 1 Rear lower arm assembly
後下擺臂組裝

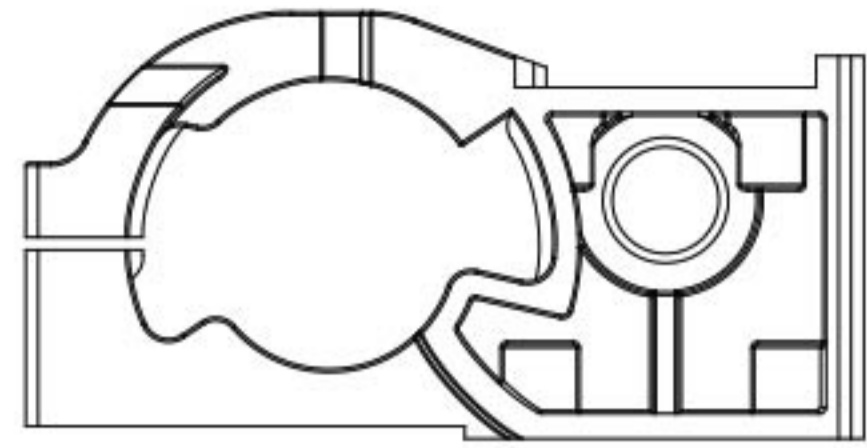


STEP 2 Attaching rear lower arm
安裝後下擺臂



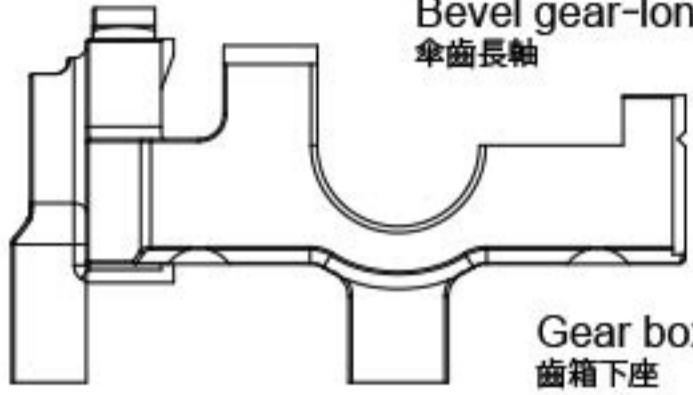
REAR TOE ANGLE SETTING





XXX Eccentric motor mount × 1
XXX 偏心式馬達座

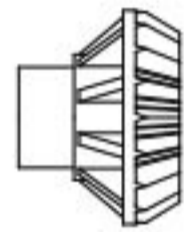
Bevel gear-long shaft × 1
傘齒長軸



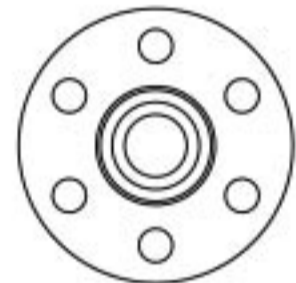
Gear box mount × 1
齒箱下座



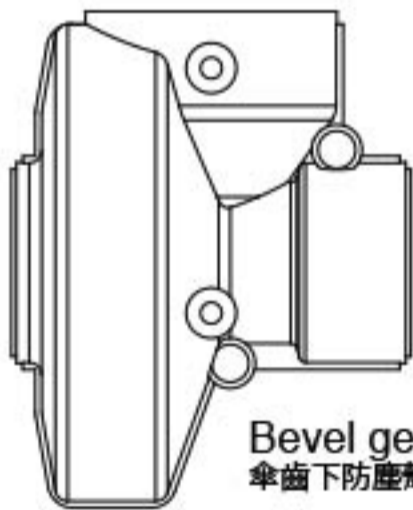
Spur gear 48P 74T × 1
大直齒



Bevel gear 18T × 1
傘齒



Spur gear holder × 1
大齒盤座



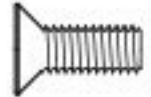
Bevel gear lower dust cover (RM) × 1
傘齒下防塵殼(後置)



5×10 ball bearing × 2
培林



8×14 ball bearing × 1
培林



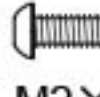
M3×8 screw × 6
沉頭螺絲



M3×5 screw × 3
扁頭螺絲

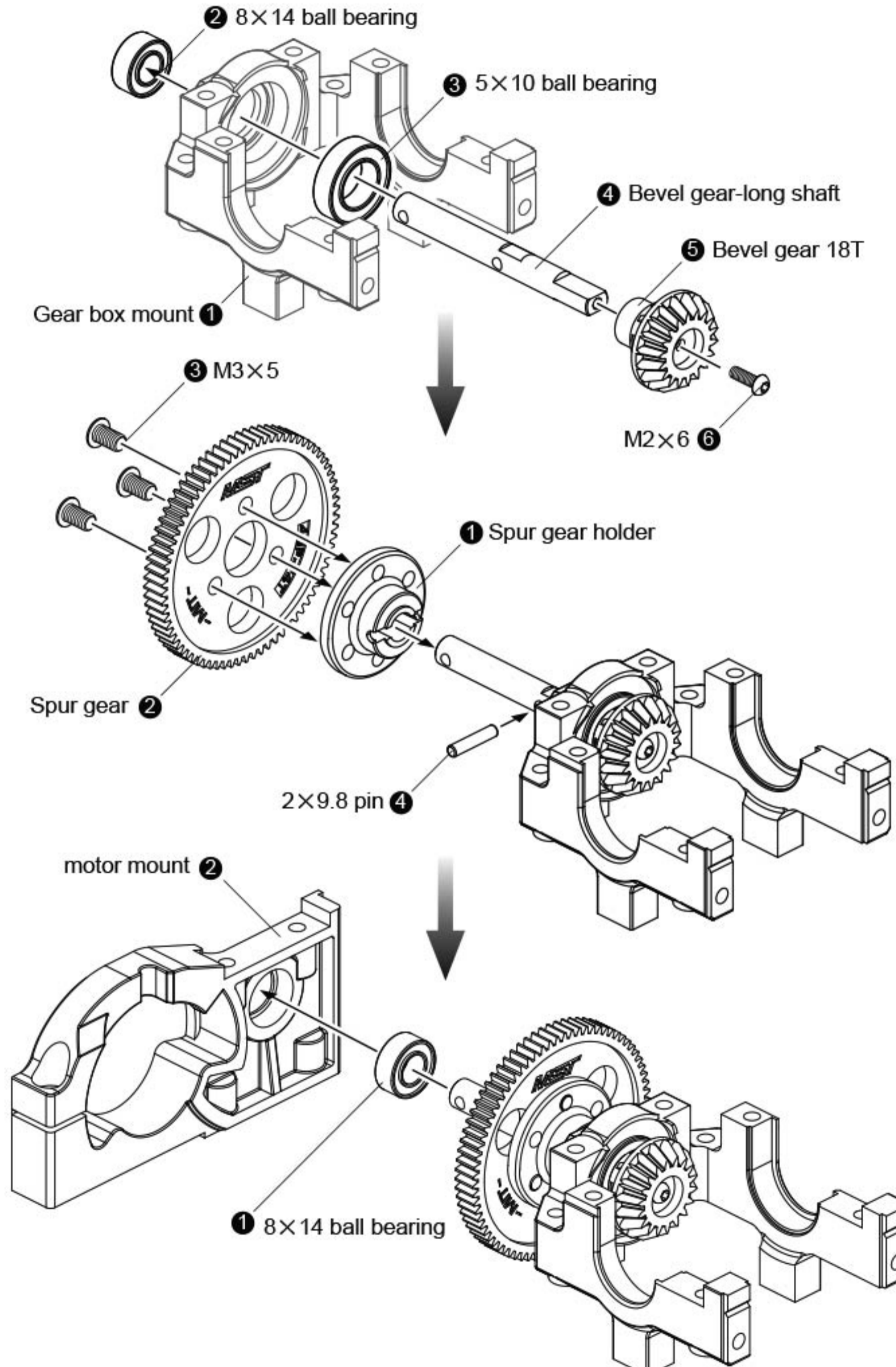


M2×6 screw × 2
沉頭螺絲

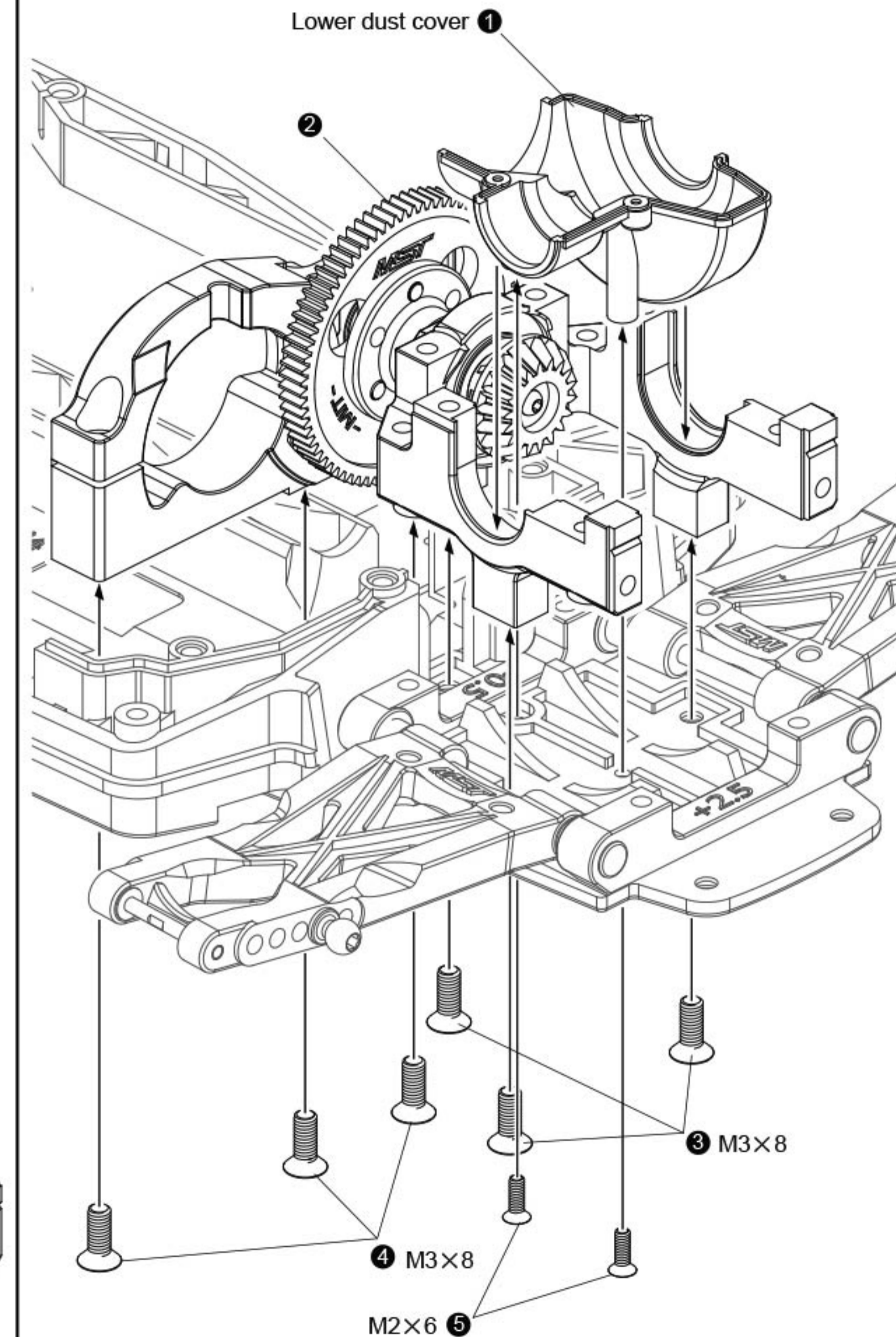


M2×6 screw × 1
圓頭螺絲

STEP 1 Rear gear box assembly
後齒箱組裝

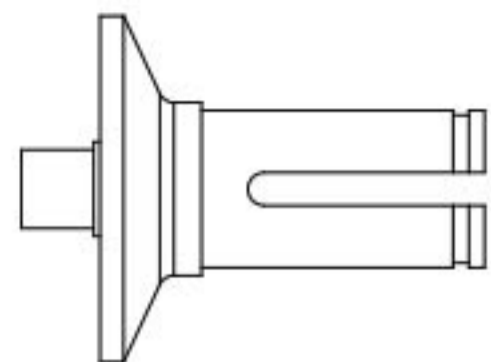


STEP 2 Attaching rear gear box
安裝後齒箱



STEP 1 Rear solid axle (spool) assembly

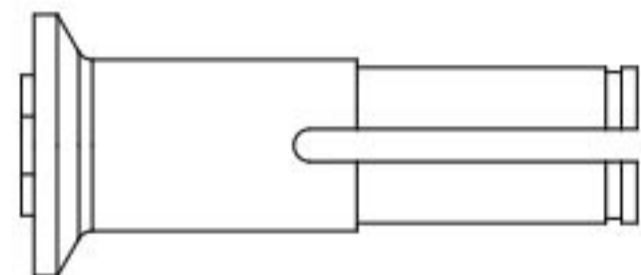
後直軸組裝



Short joint ×1
短接杯



Joint ring ×2
接杯環



Long joint ×1
長接杯



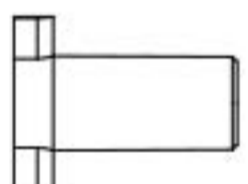
5×8×4 Bush ×1
襯套



10×15 ball bearing ×2
培林



Solid axle plate ×2
滾插直軸連結偶



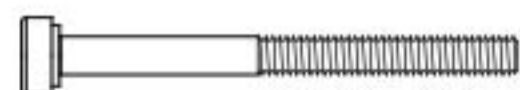
Solid axle nut ×1
直軸固定座



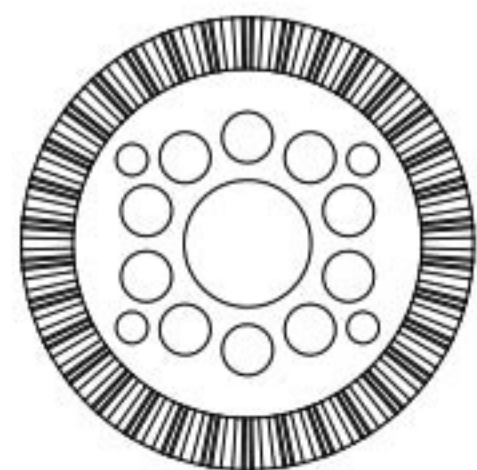
3×6×0.5 spacer ×1
墊片



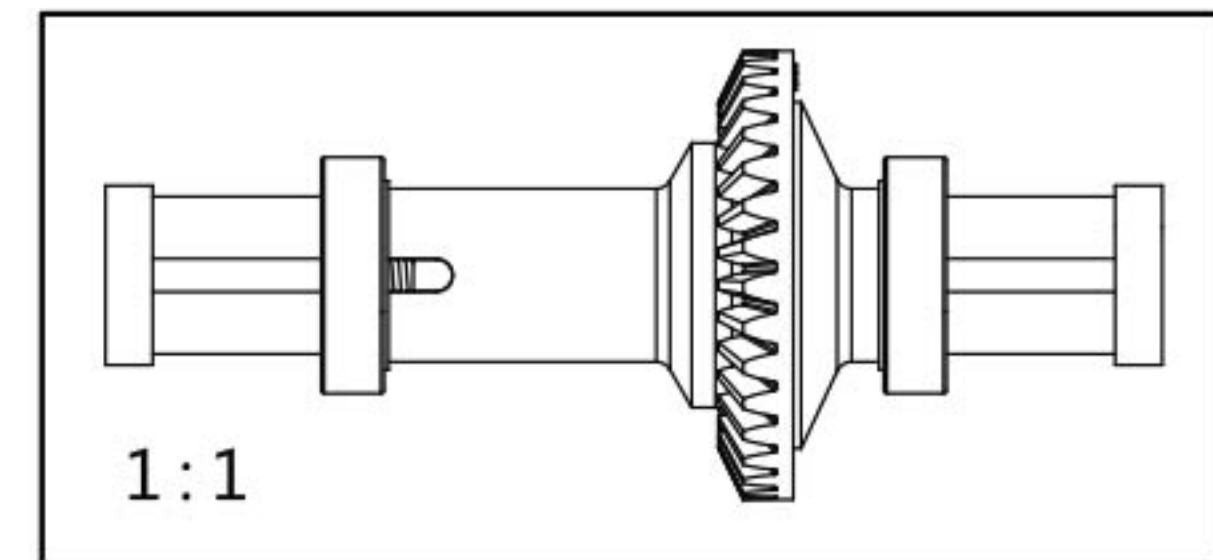
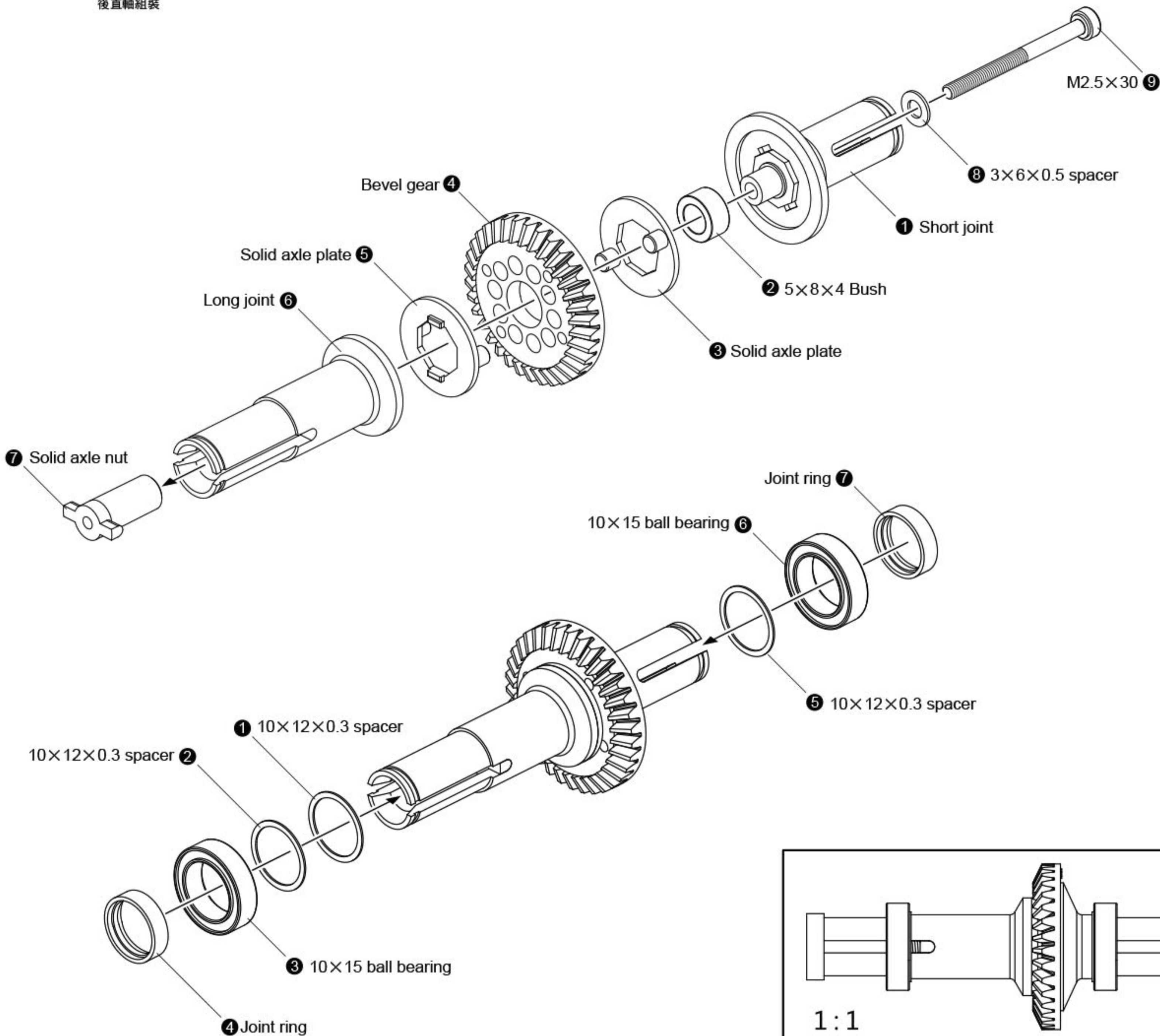
10×12×0.3 spacer ×3
墊片



M2.5×30 screw ×1
有頭螺絲(半牙)

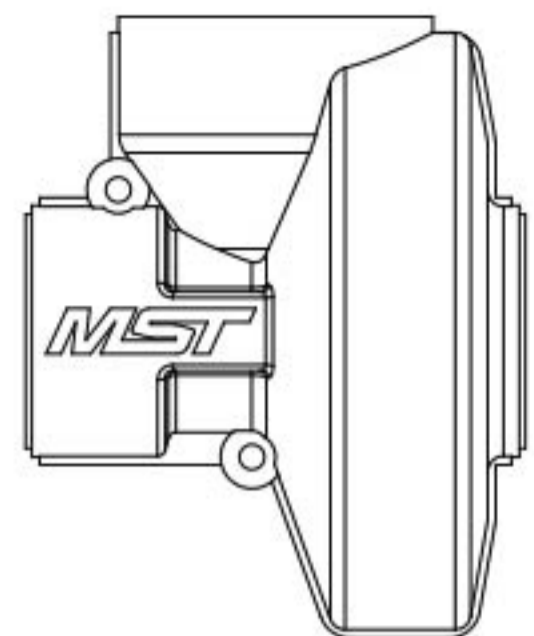
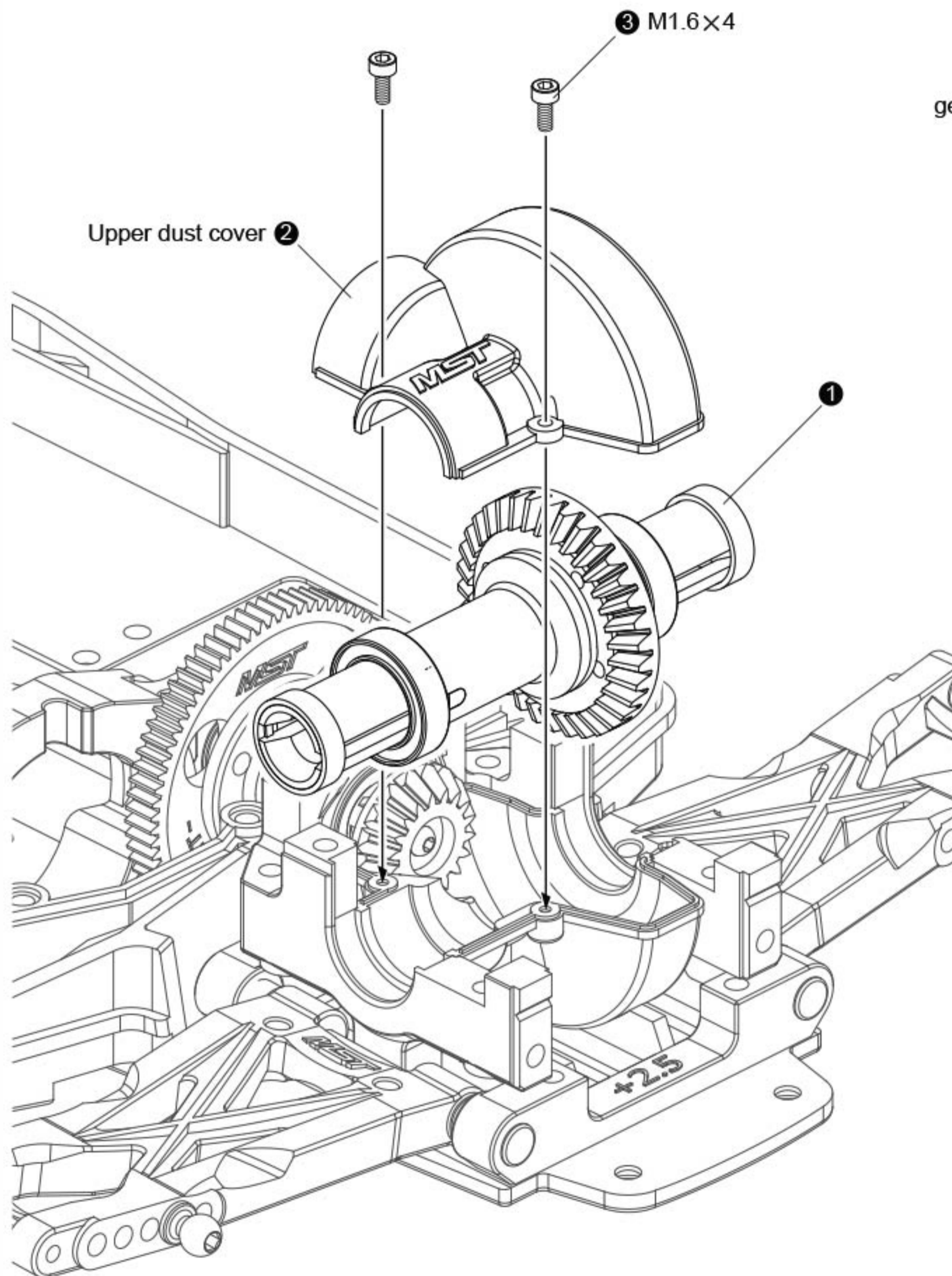


Bevel gear 34T ×1
傘齒

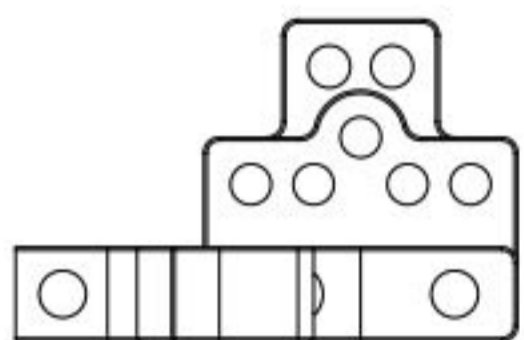


STEP 1 Attaching rear solid axle (spool)

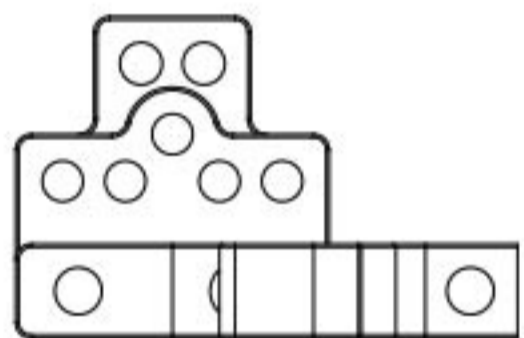
安裝後直軸



Bevel gear upper dust cover (RM) x1
傘齒上防塵殼(後置)



gear box cover A x1
齒箱上蓋A



gear box cover B x1
齒箱上蓋B



M1.6x4 screw x2
有頭螺絲



M3x8 screw x2
圓頭螺絲



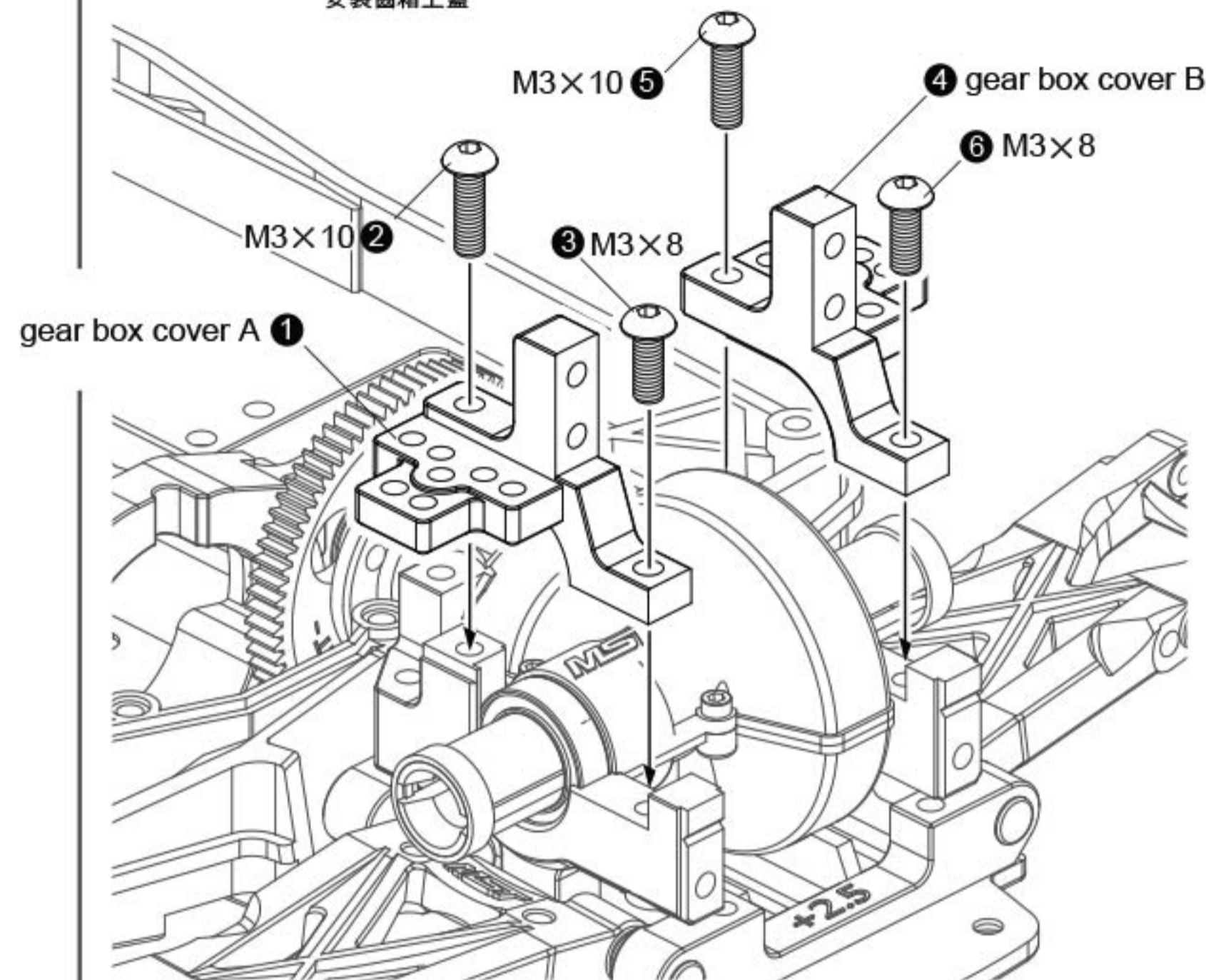
M3x10 screw x2
圓頭螺絲



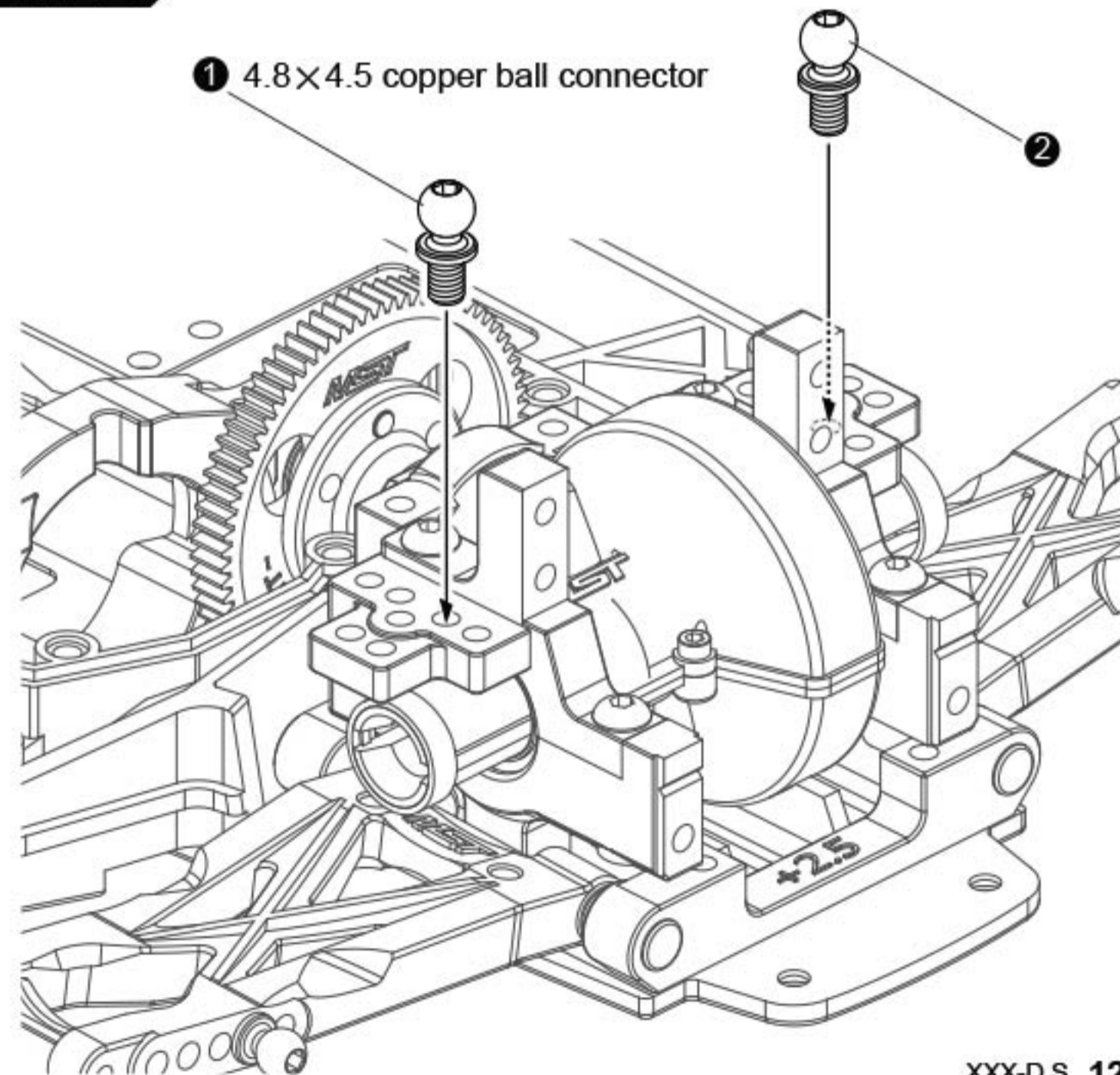
4.8x4.5 copper ball connector x2
銅製球頭螺絲

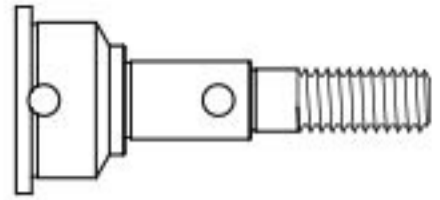
STEP 2 Attaching rear gear box cover

安裝齒箱上蓋



STEP 3

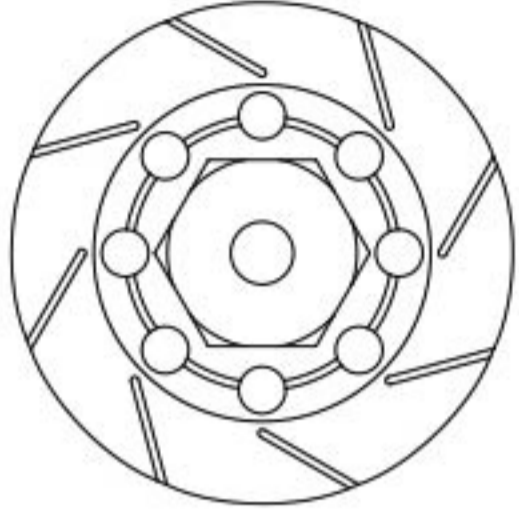




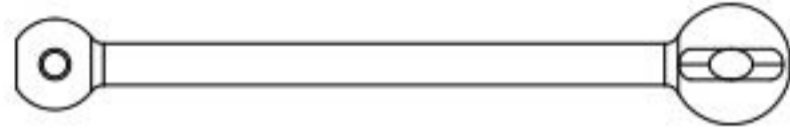
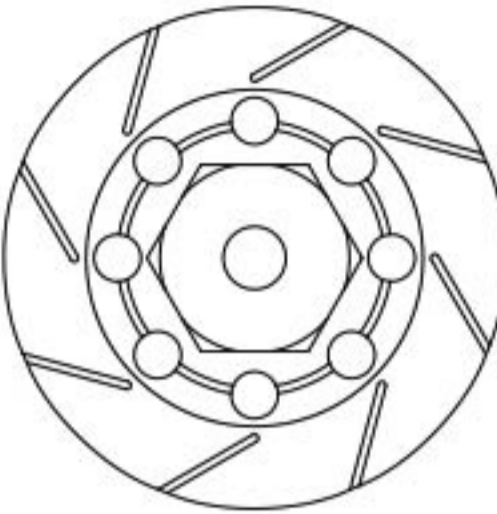
Wheel axle ×2
萬向接杯



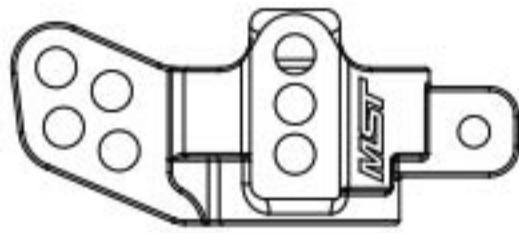
Brake calipers ×2
煞車卡鉗



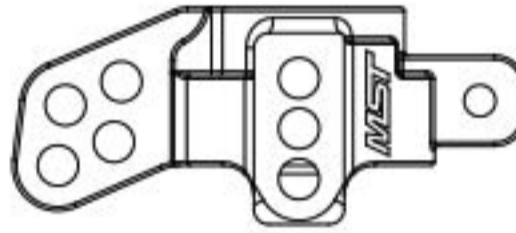
Wheel hubs (brake disc shaped) ×2
六角輪座(煞車碟型)



Steel CVA universal shaft 44 ×2
鋼製CVA傳動軸 44



KPI upright A ×1
KPI輪座A



KPI upright B ×1
KPI輪座B



M2×4 screw ×2
圓頭螺絲



M2.5×6 screw ×2
圓頭螺絲



2×9.8 pin ×2
插銷



Brake calipers mount ×2
卡鉗座



5×11 ball bearing ×2
培林



10×15 ball bearing ×2
培林



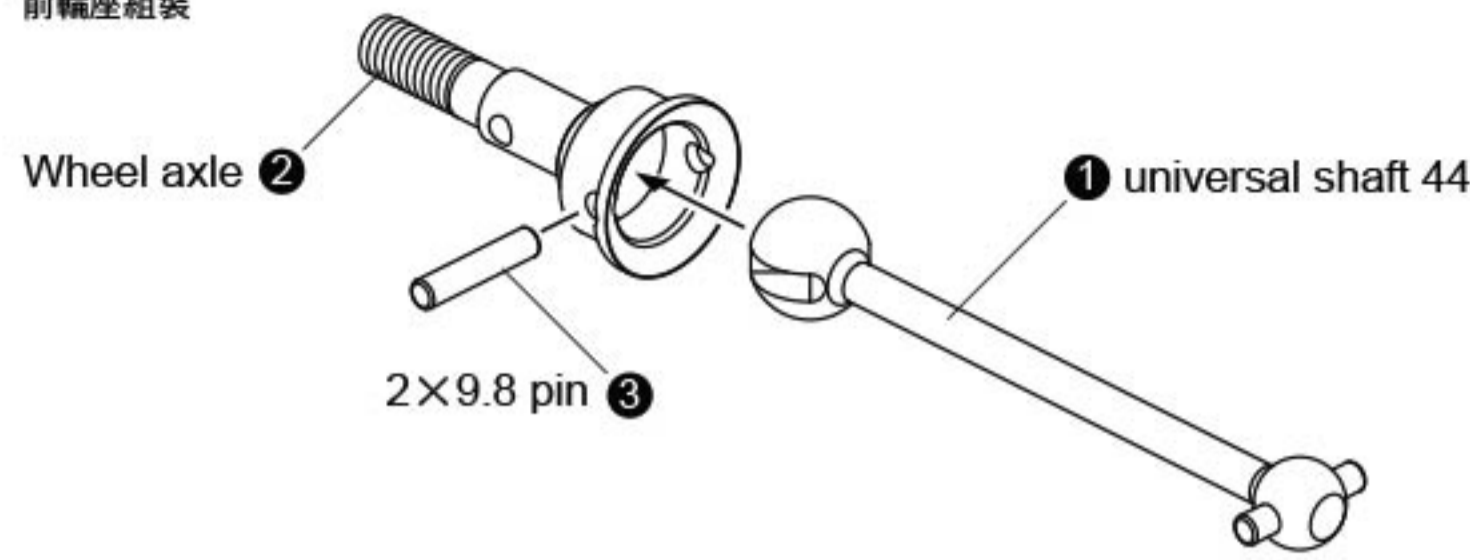
4.8×4.5 copper ball connector ×2
銅製球頭螺絲



M3×11 screw ×4
扁頭螺絲

STEP 1 Front axle assembly
前輪座組裝

×2
Make 2

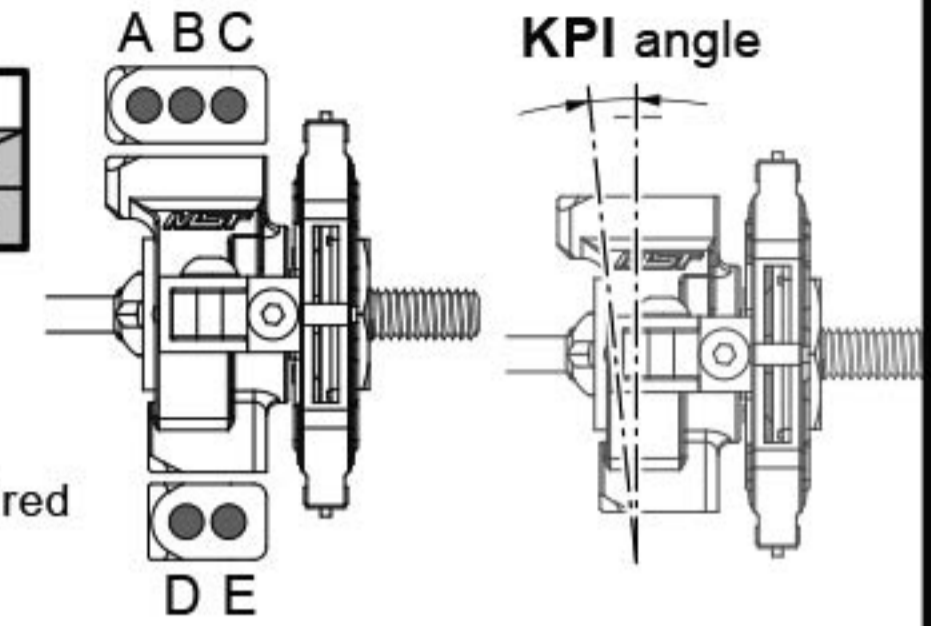


BALL CONNECTOR ASSEMBLY LOCATION

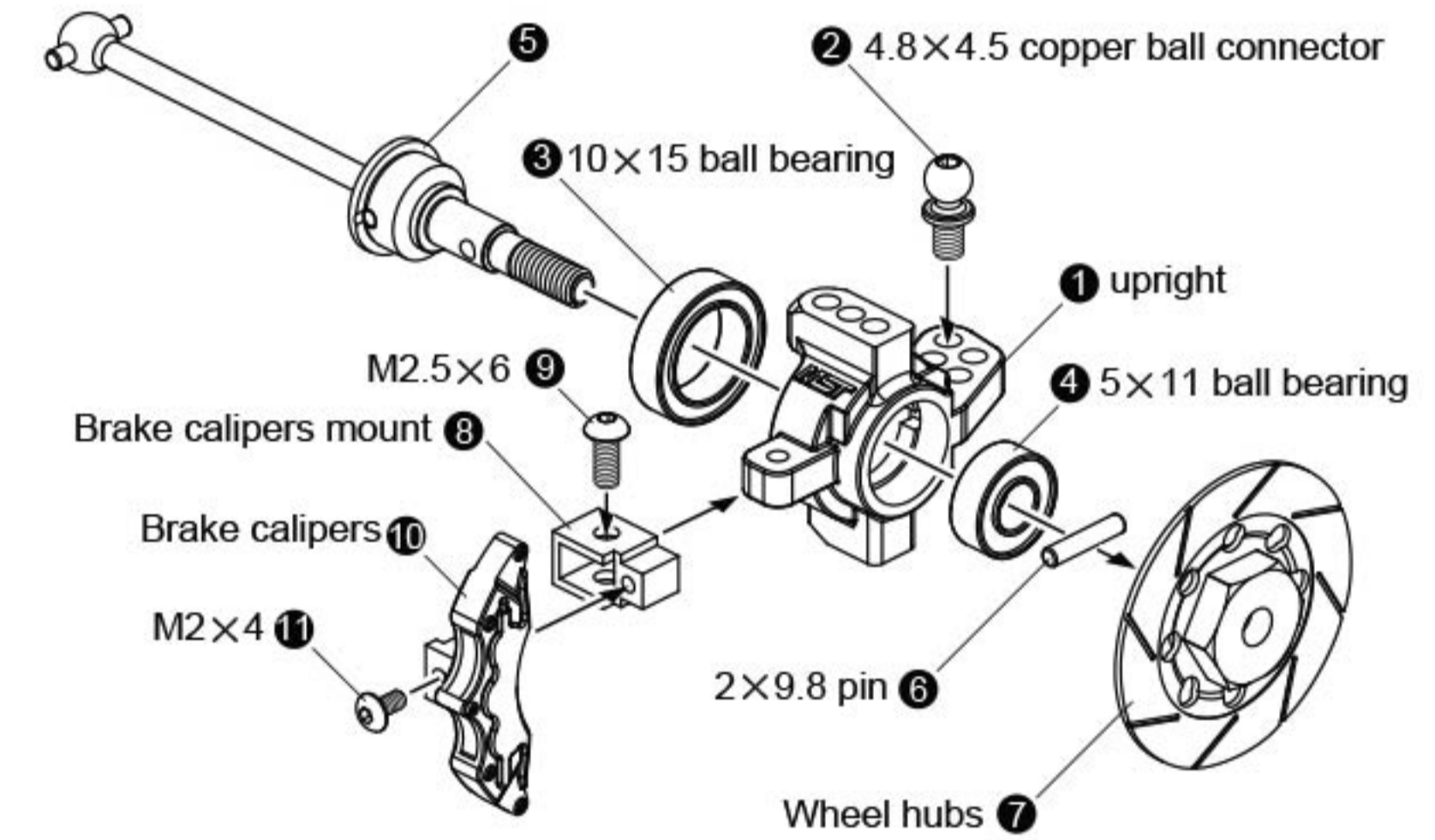
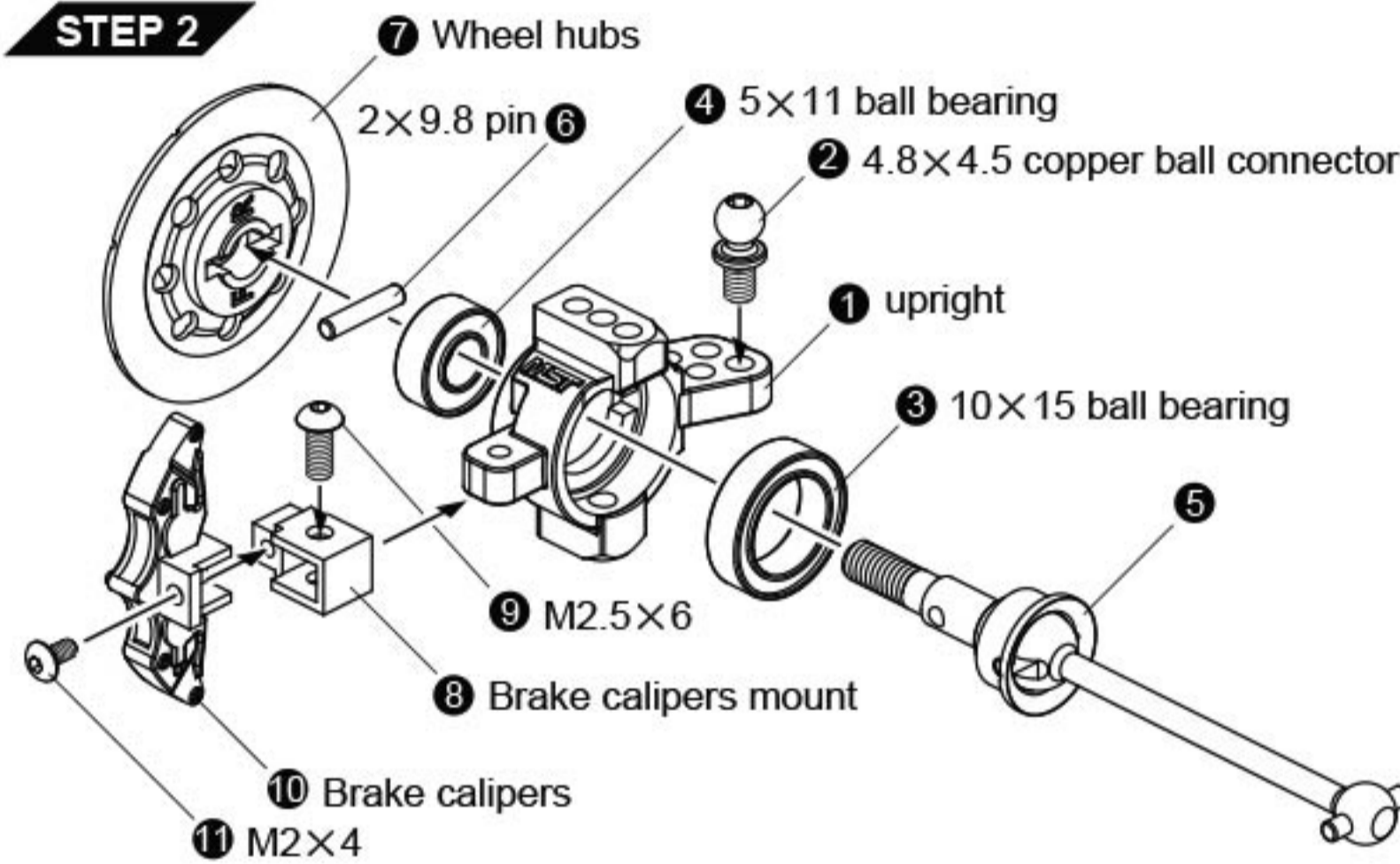
	A	B	C
D	6°	0°	
E	12°	6°	0°

Standard setting A,D

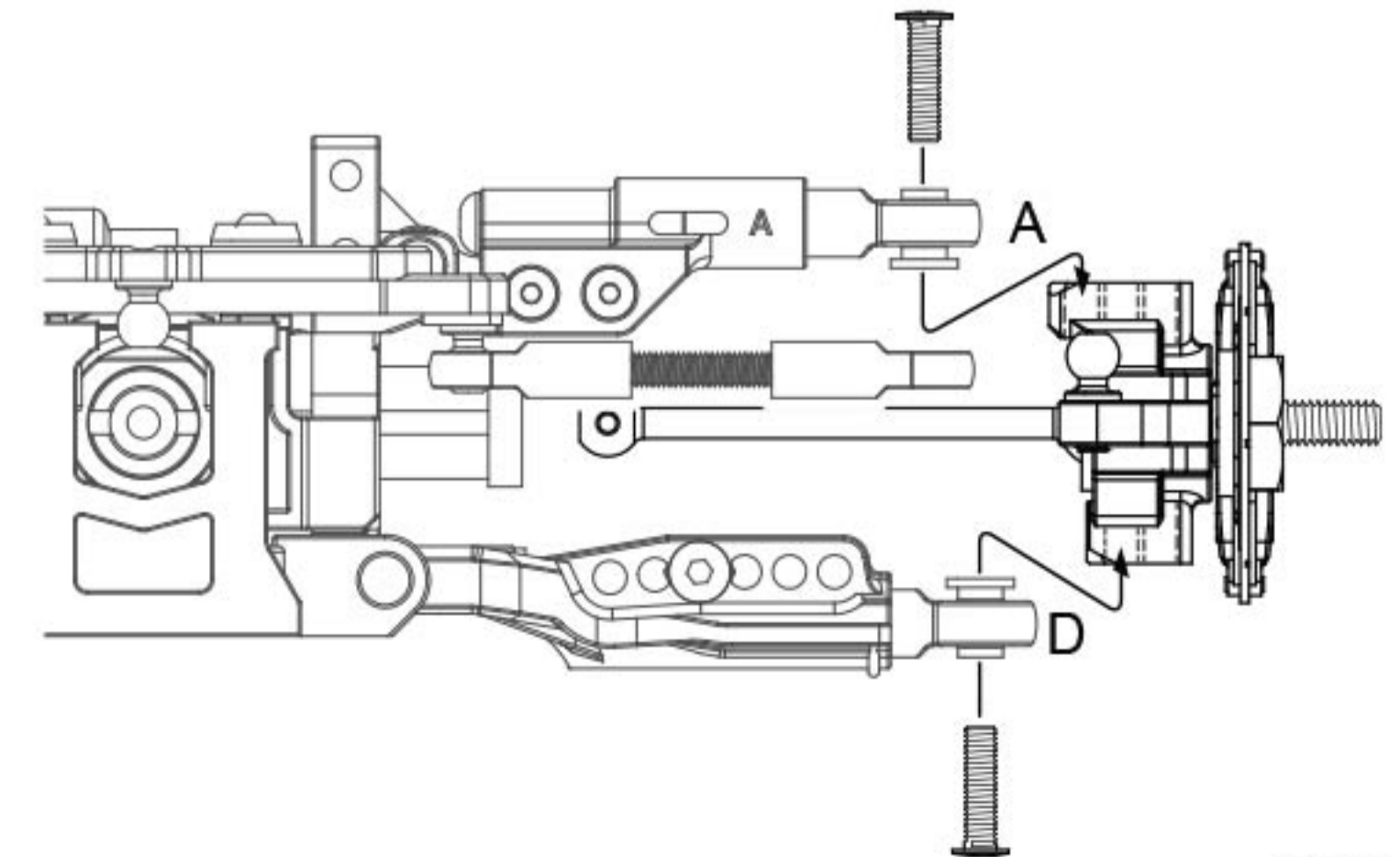
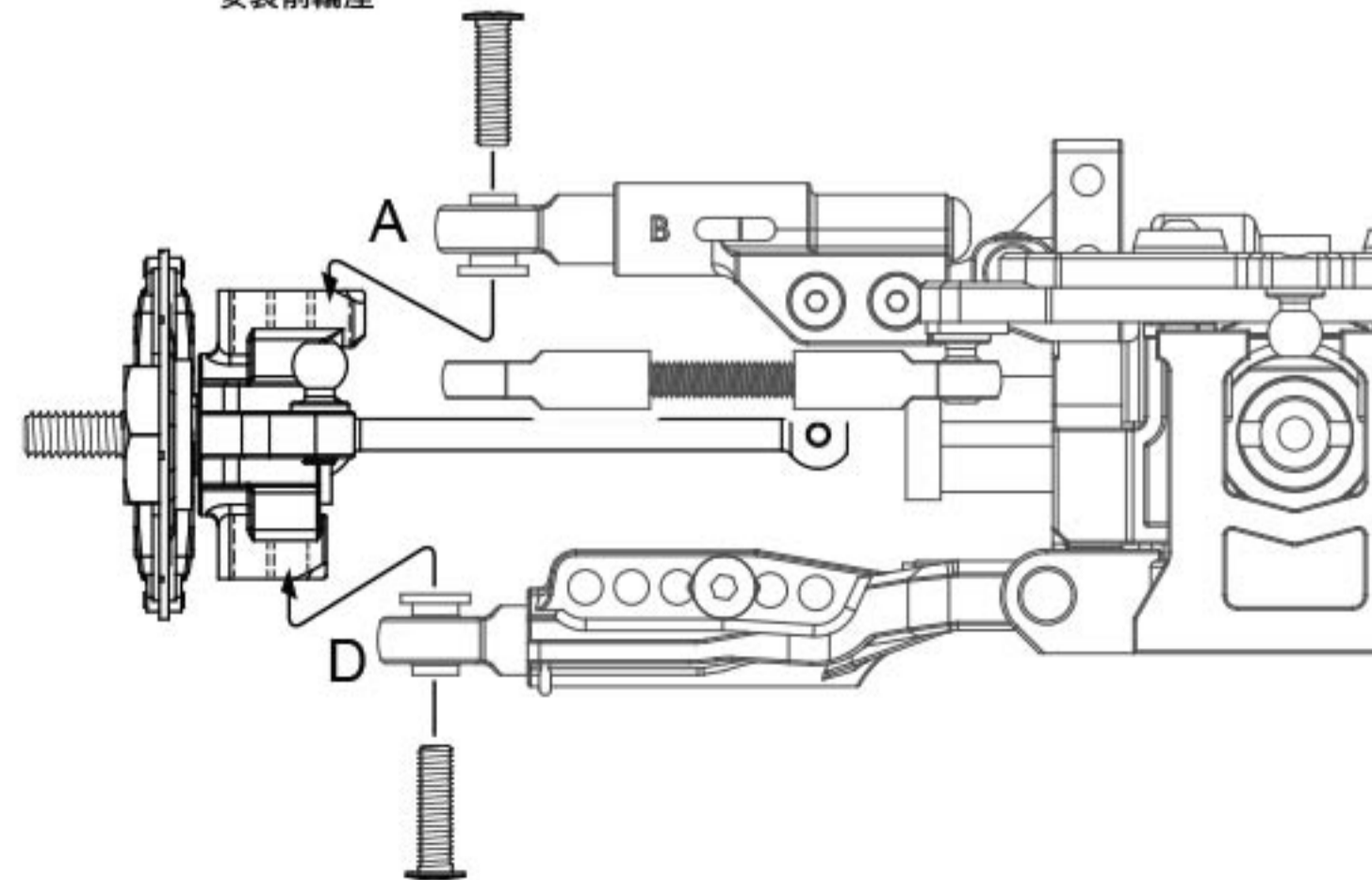
Install location by required KPI angle as list.

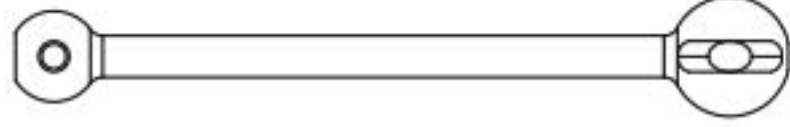


STEP 2

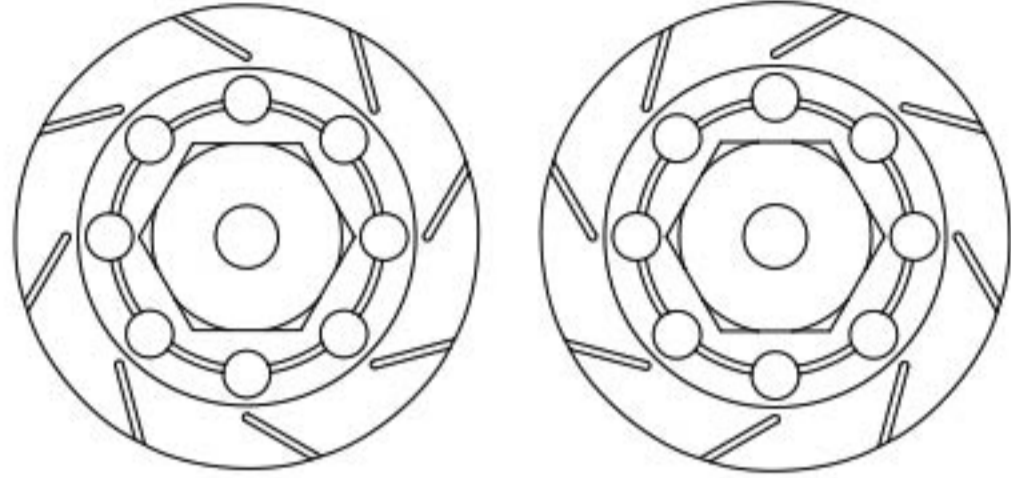


STEP 3 Attaching front axle
安裝前輪座

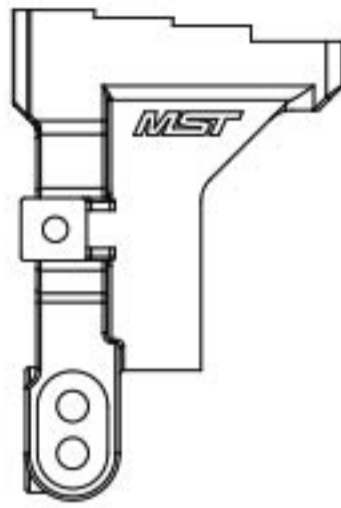




Steel CVA universal shaft 44 x 2
鋼製CVA傳動軸 44



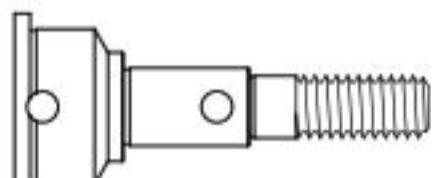
Wheel hubs (brake disc shaped) x 2
六角輪座(煞車碟型)



HT wheel hub x 2
HT輪座



Brake calipers x 2
煞車卡鉗



Wheel axle x 2
萬向接杯



5x11 ball bearing x 2
培林



10x15 ball bearing x 2
培林



2x9.8 pin x 4
插銷



2x22 shaft x 2
插銷



M2x4 screw x 2
圓頭螺絲



M2.5x2.5 screw x 2
止付螺絲



M3x25 screw x 2
止付螺絲



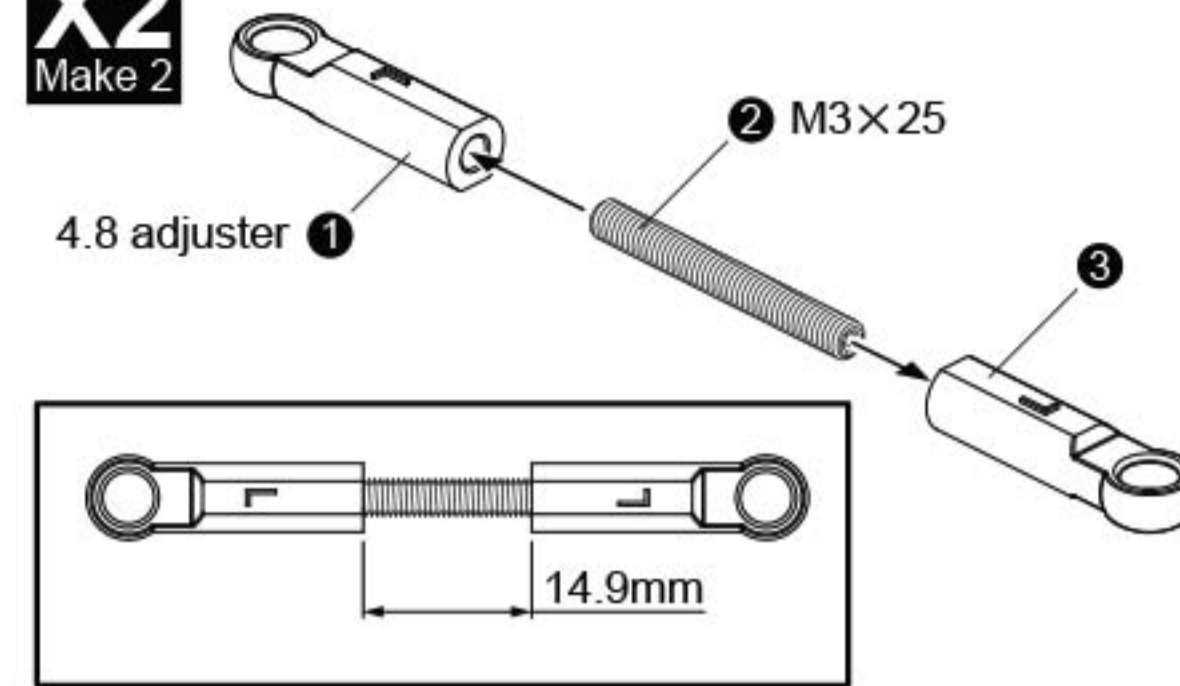
4.8 adjuster (L) x 4
拉桿頭(長)



4.8x4.5 copper ball connector x 2
銅製球頭螺絲

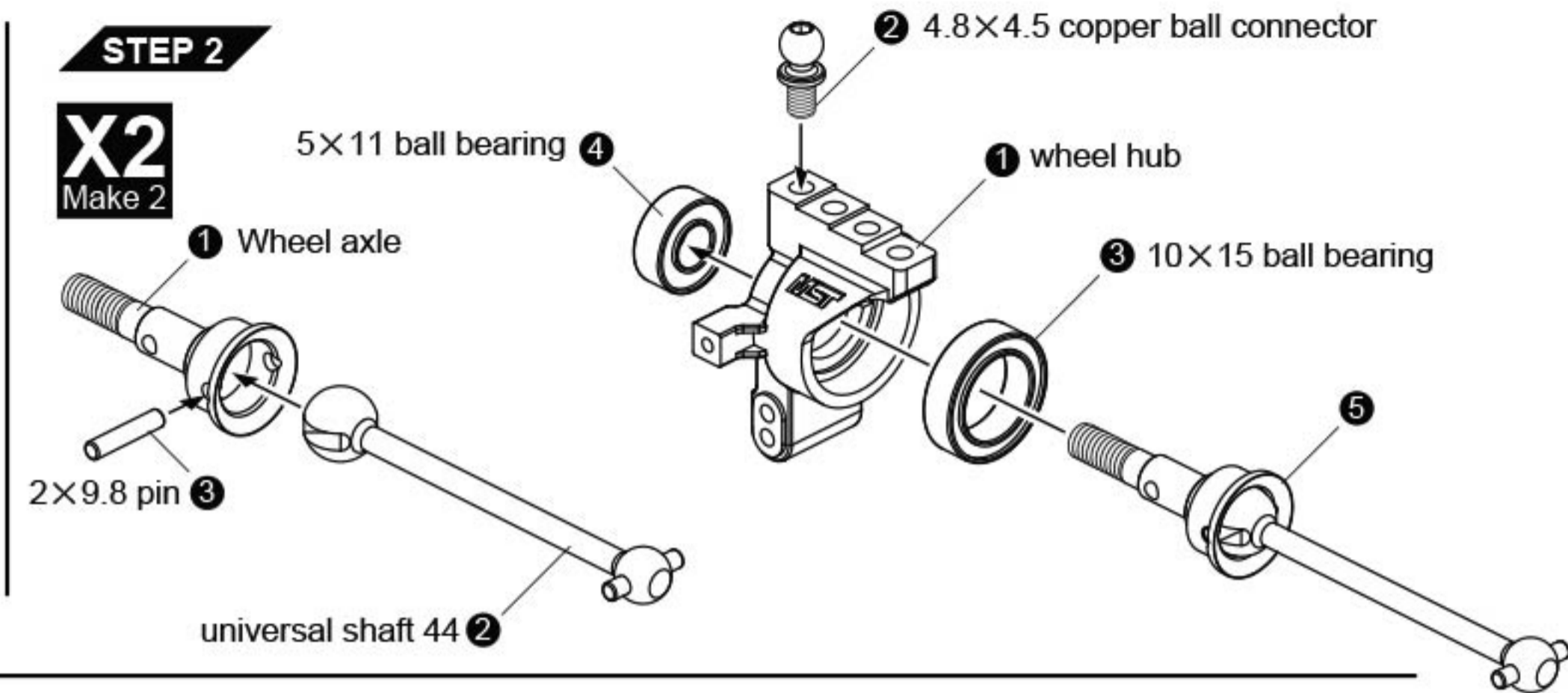
STEP 1 Rear axle assembly
後輪座組裝

X2
Make 2

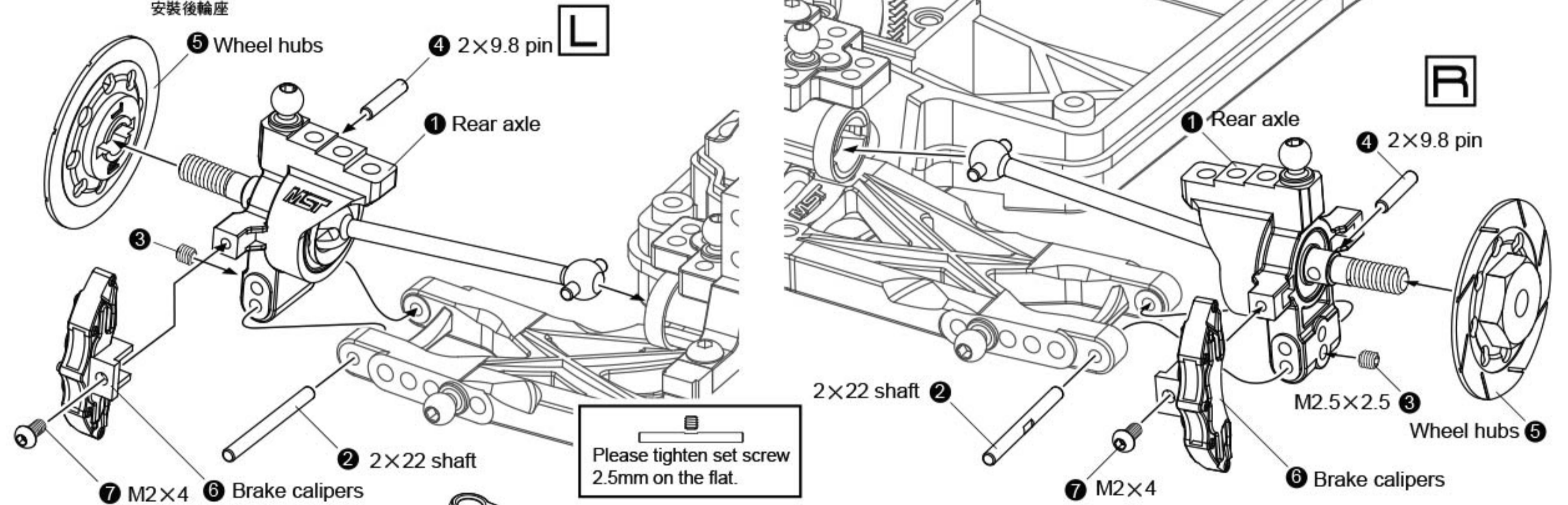


STEP 2

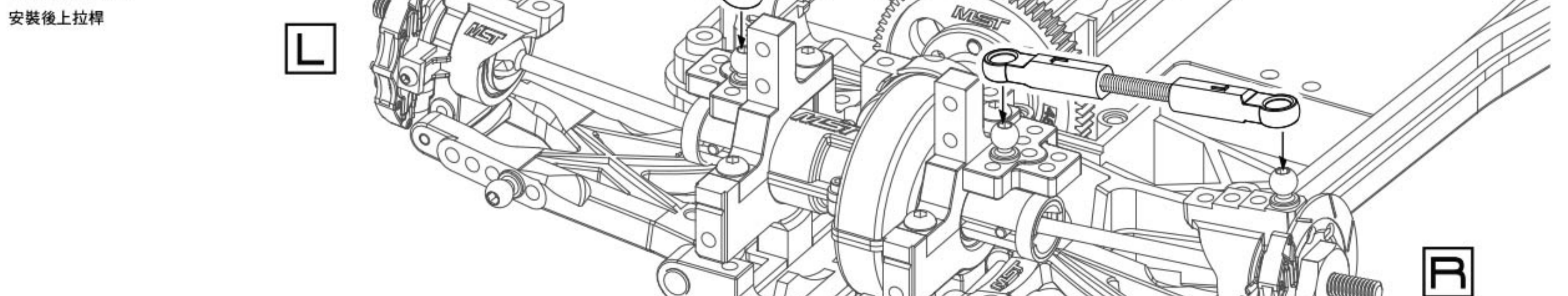
X2
Make 2



STEP 3 Attaching rear axle
安裝後輪座

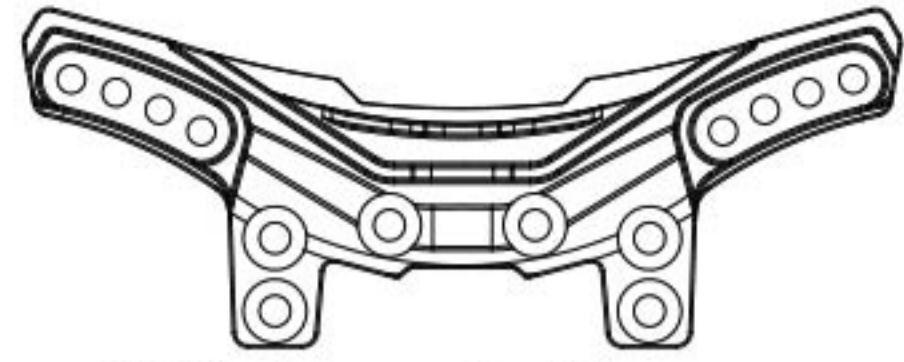


STEP 4 Attaching rear upper turnbuckle
安裝後上拉桿

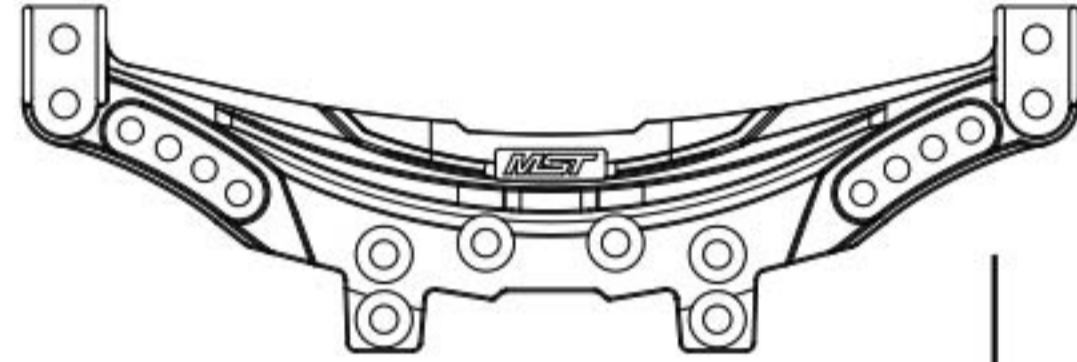


MIDDLE SHAFT & DAMPER STAY

中傳軸 & 避震架



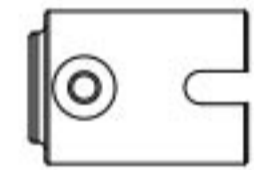
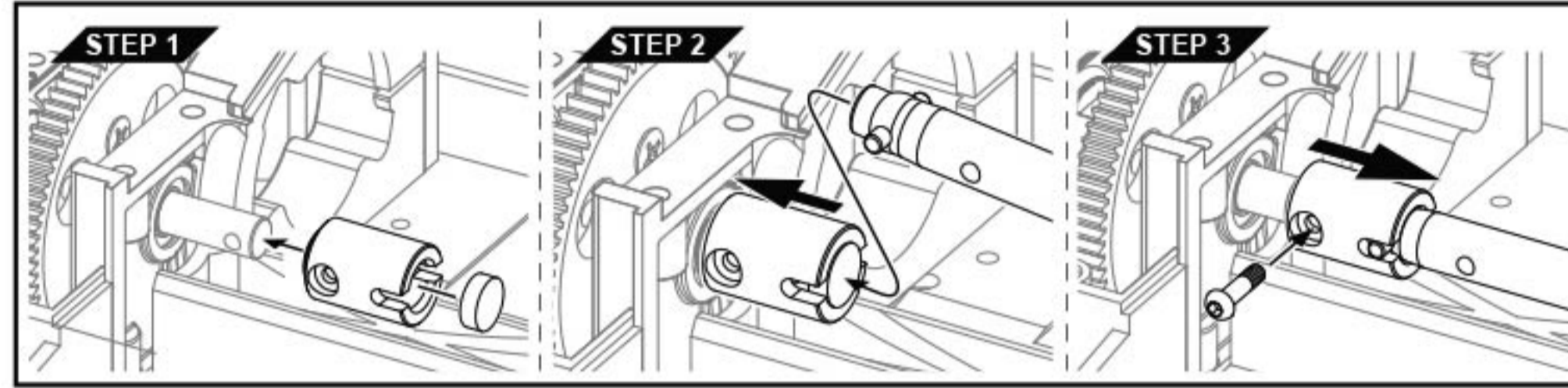
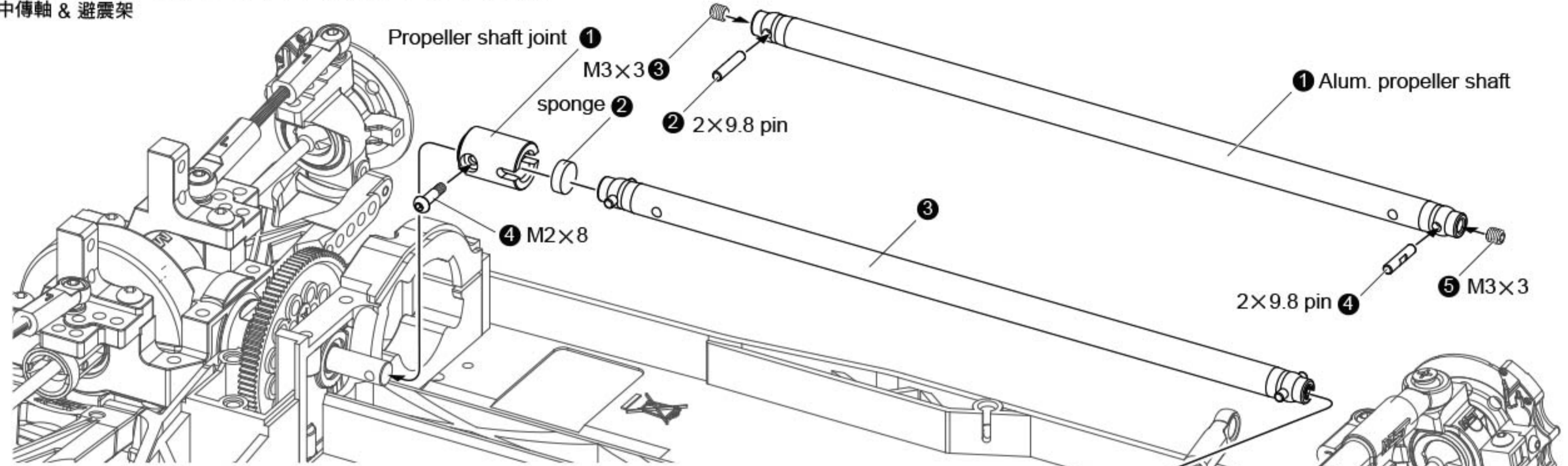
XXX front damper stay × 1
XXX前避震架



XXX rear damper stay × 1
XXX後避震架



Alum. propeller shaft × 1
鋁合金中傳軸



Propeller shaft joint × 1
中軸接杯



4.8 Copper hex ball × 4
銅製外六角球頭



M2×8 screw × 1
圓頭螺絲(半牙)



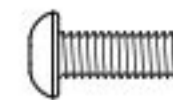
2×9.8 pin × 2
插銷



M3×8 screw × 4
止付螺絲



M3×3 screw × 2
止付螺絲



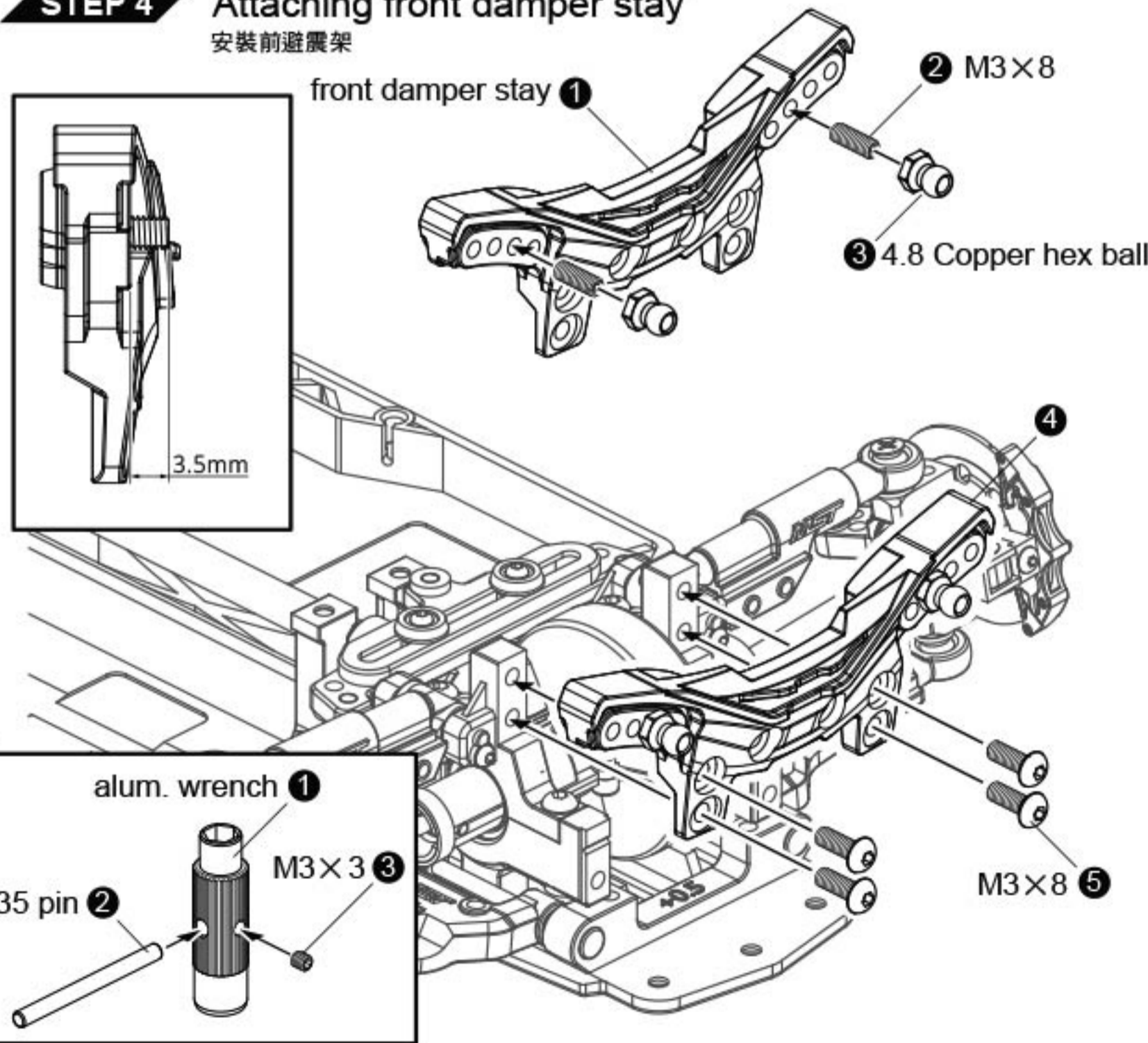
M3×8 screw × 8
圓頭螺絲



6.5×2 sponge × 1
泡棉

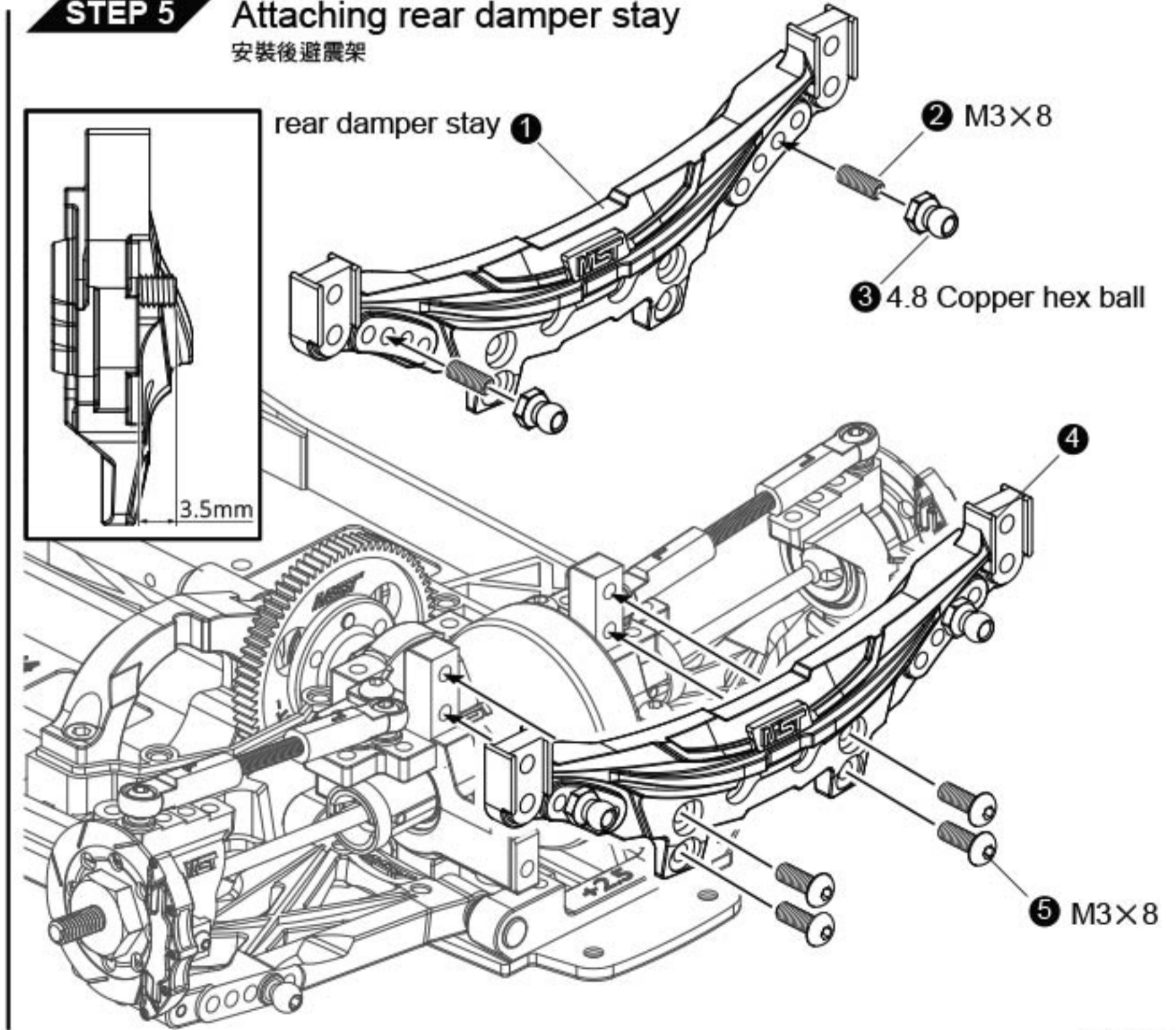
STEP 4 Attaching front damper stay

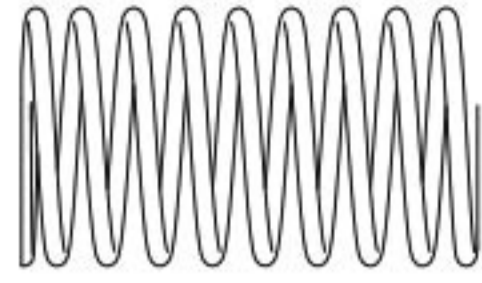
安裝前避震架



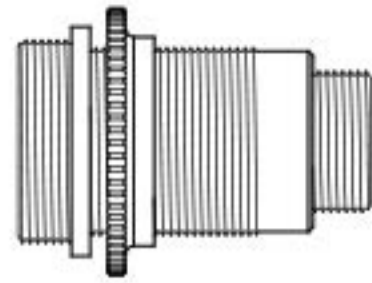
STEP 5 Attaching rear damper stay

安裝後避震架

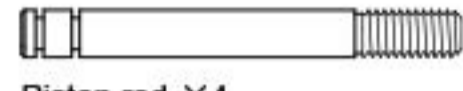




Coil spring 28mm (gold) ×4
避震彈簧 28mm (金)



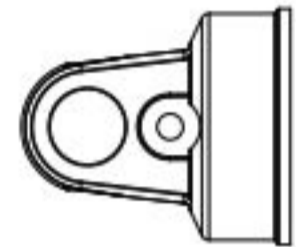
Damper cylinder ×4
避震筒身



Piston rod ×4
避震軸心



Piston ×4
避震活塞



Cylinder cap ×4
避震器上蓋



Damper adjuster ×4
避震器拉桿



Rod guide cap ×4
避震器下蓋



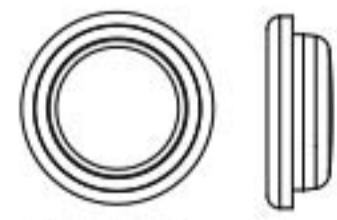
10.8×0.9 O-ring ×4
O環



Damper retainer ×4
避震器彈簧座



Damper O-ring P3 ×4
避震器O環



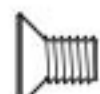
Oil seal ×4
避震器氣室



E-clip ×10
E形扣



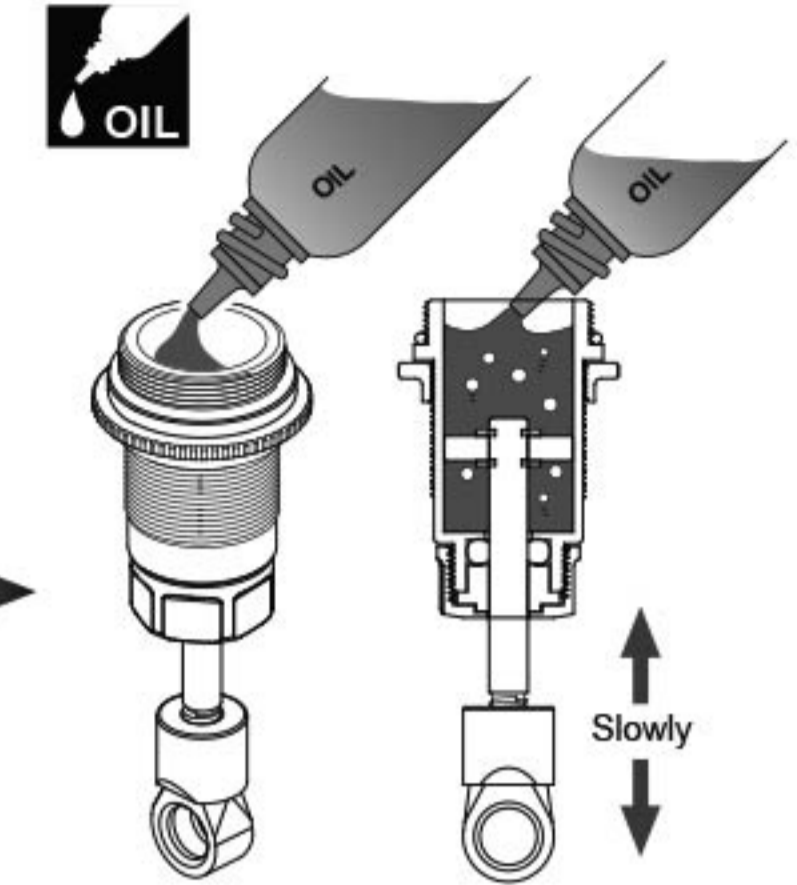
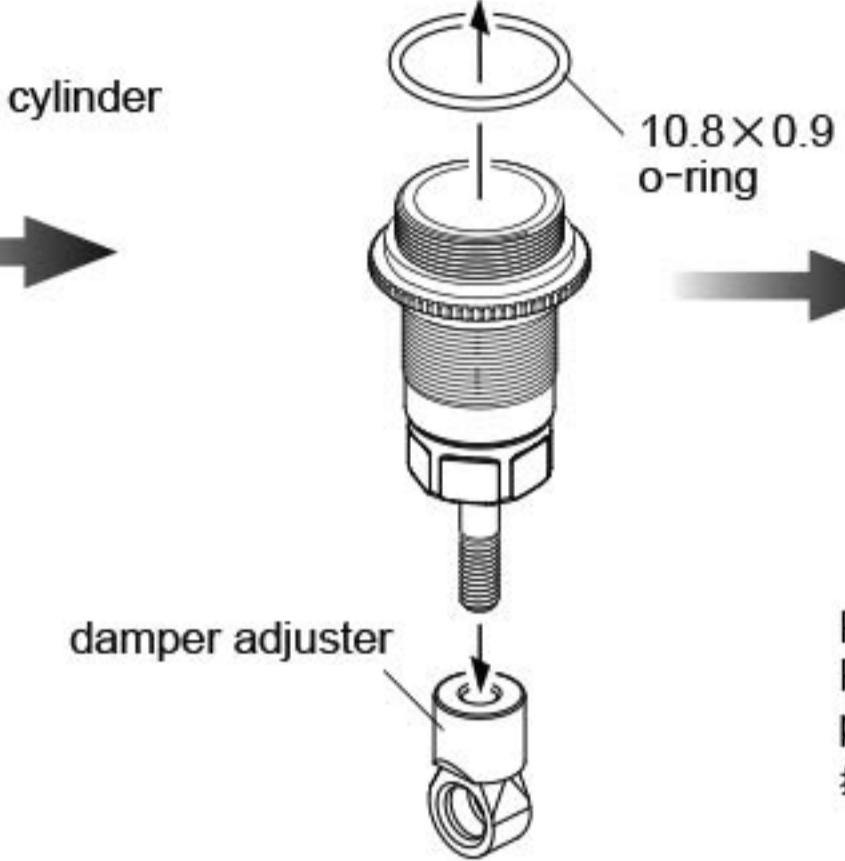
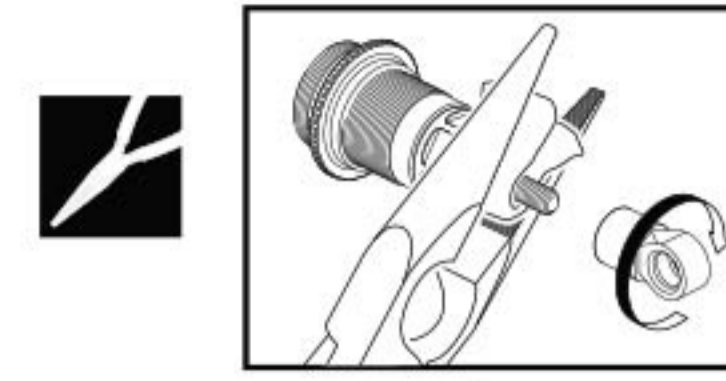
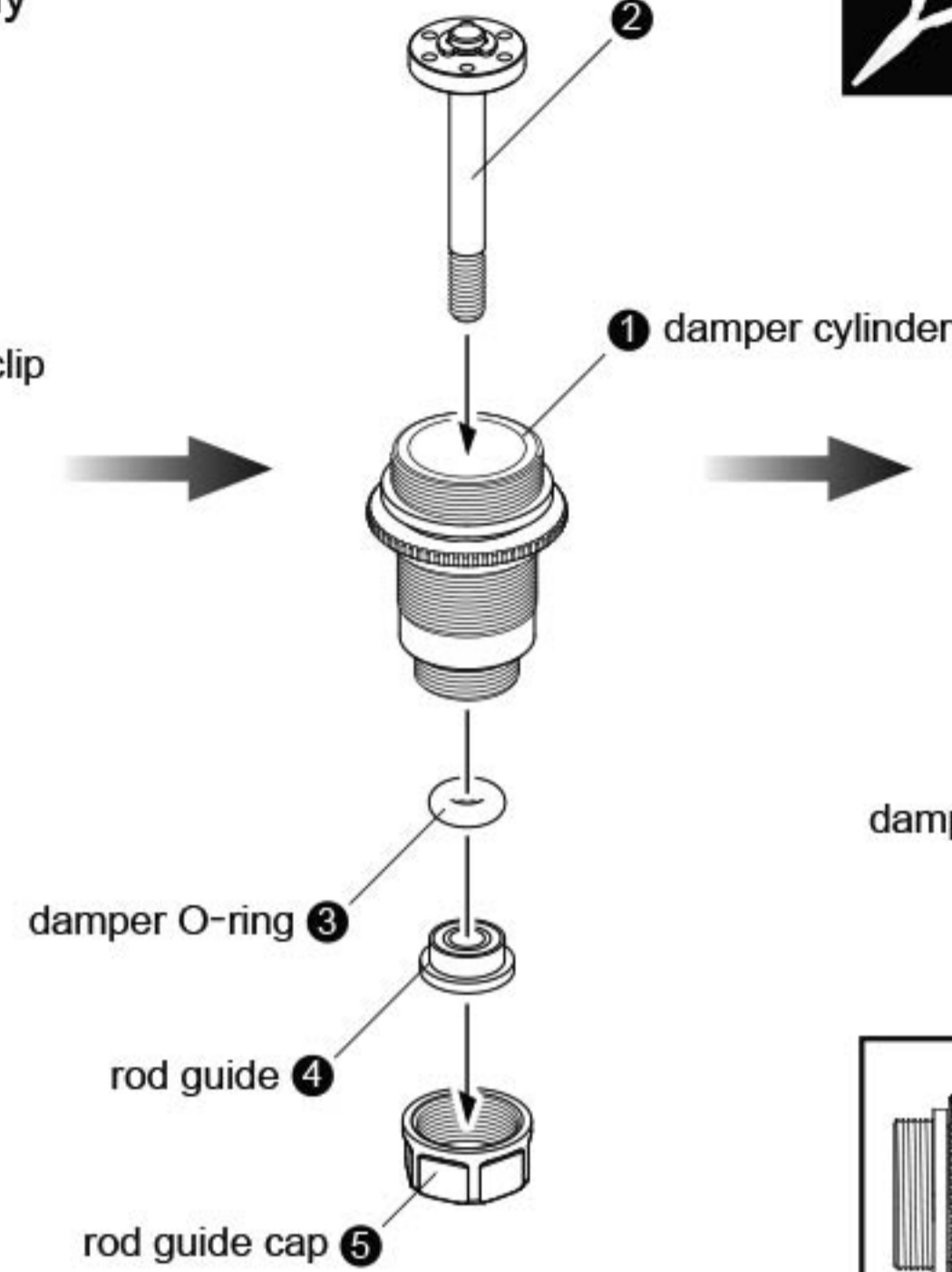
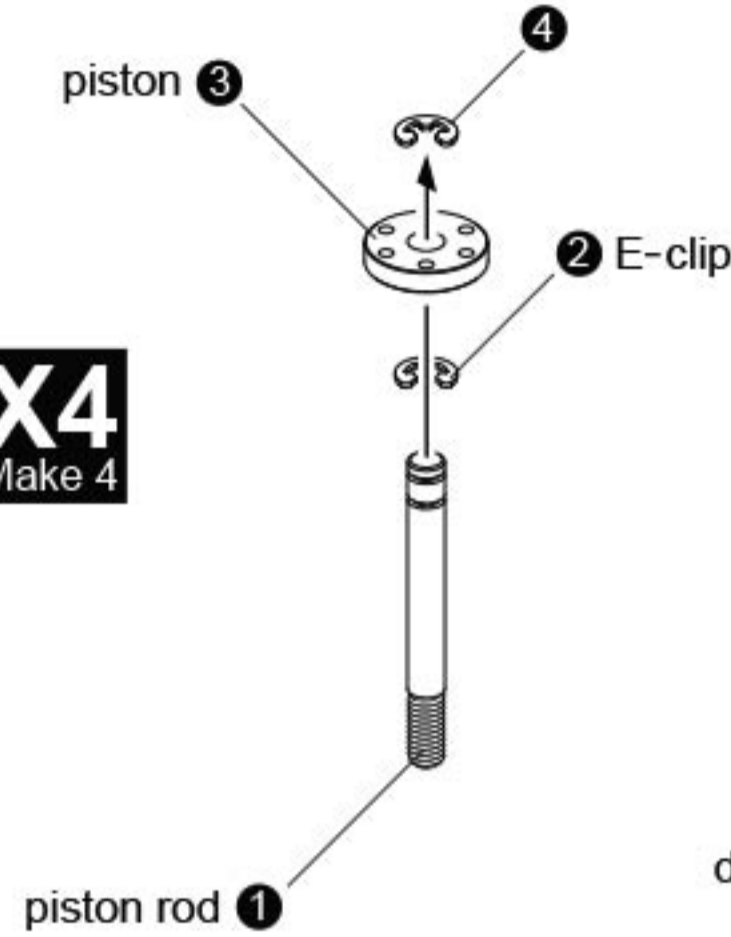
Rod guide ×4
避震器下蓋墊片



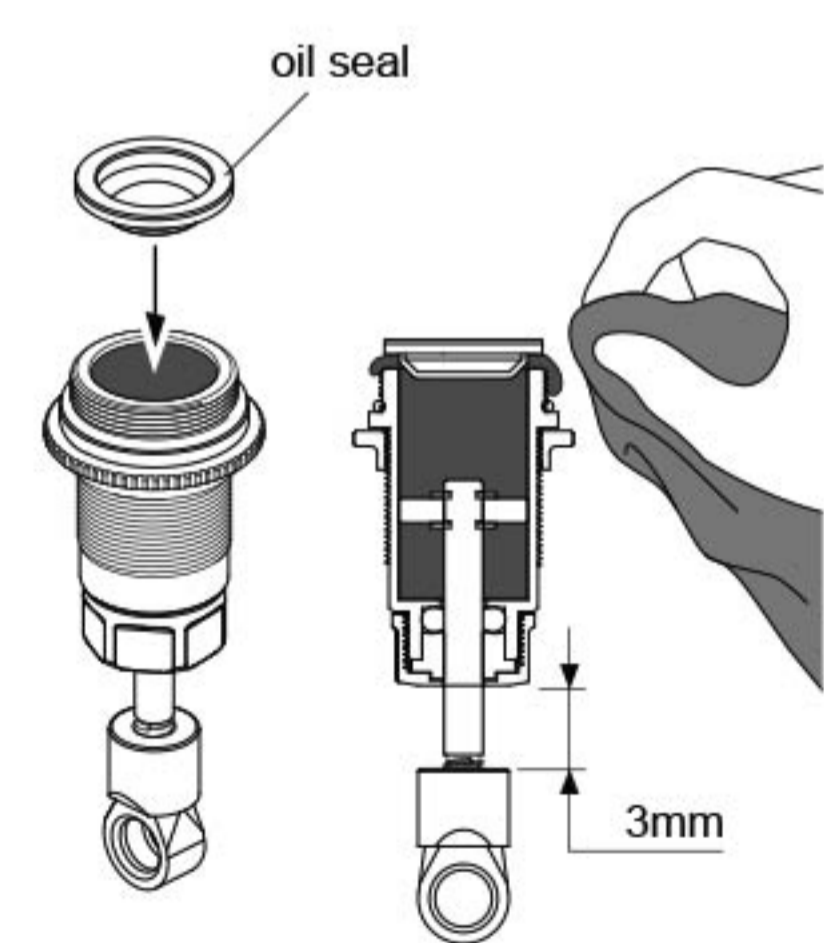
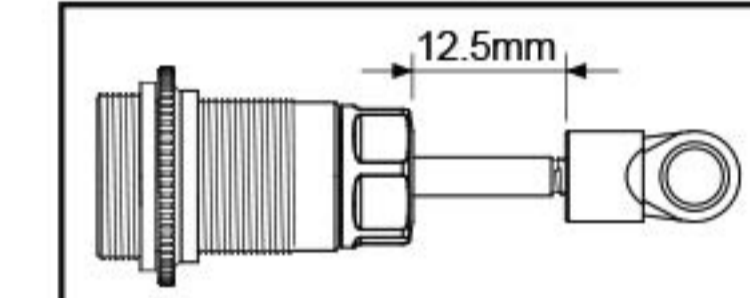
M3×5 screw ×4
沉頭螺絲

STEP 1 Damper assembly
避震器組裝

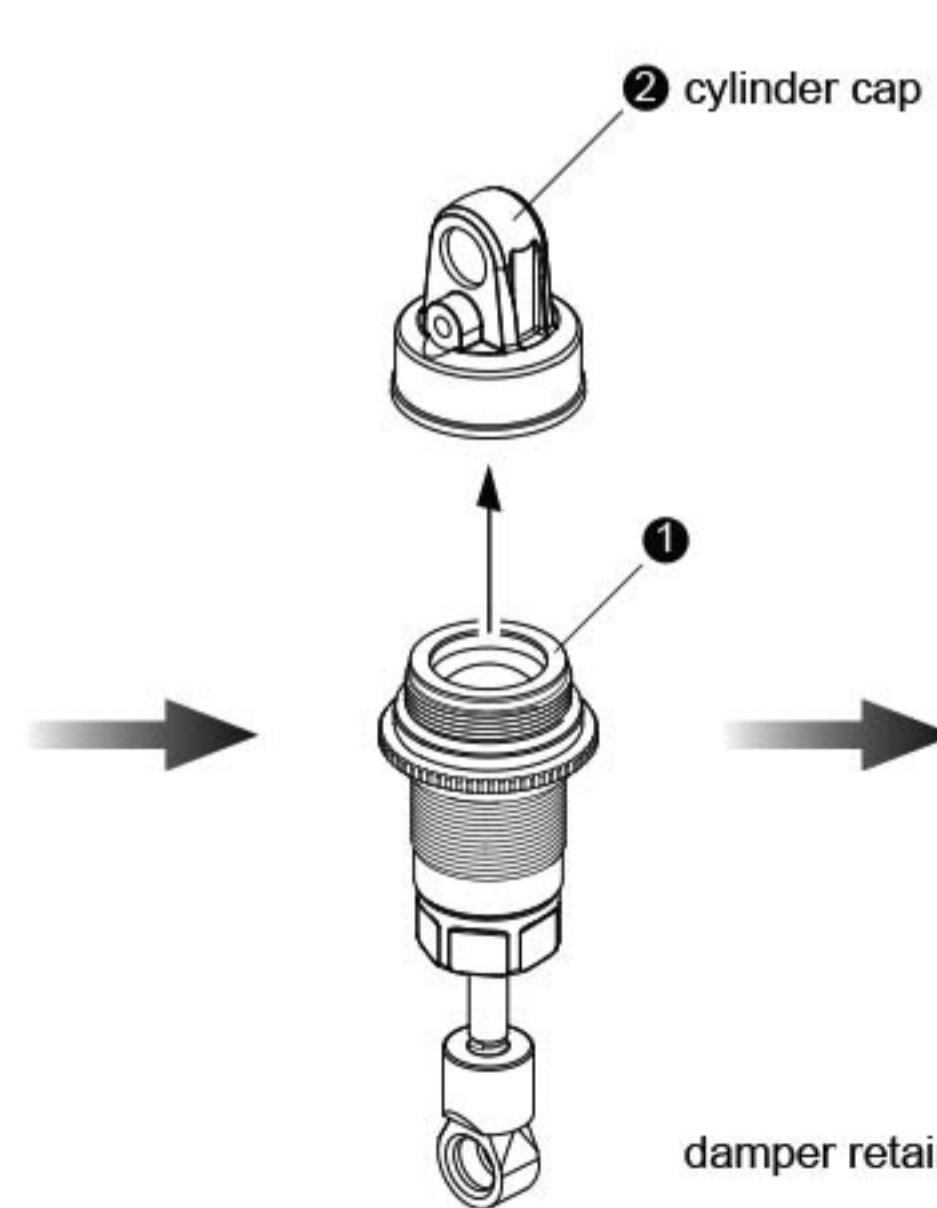
X4
Make 4



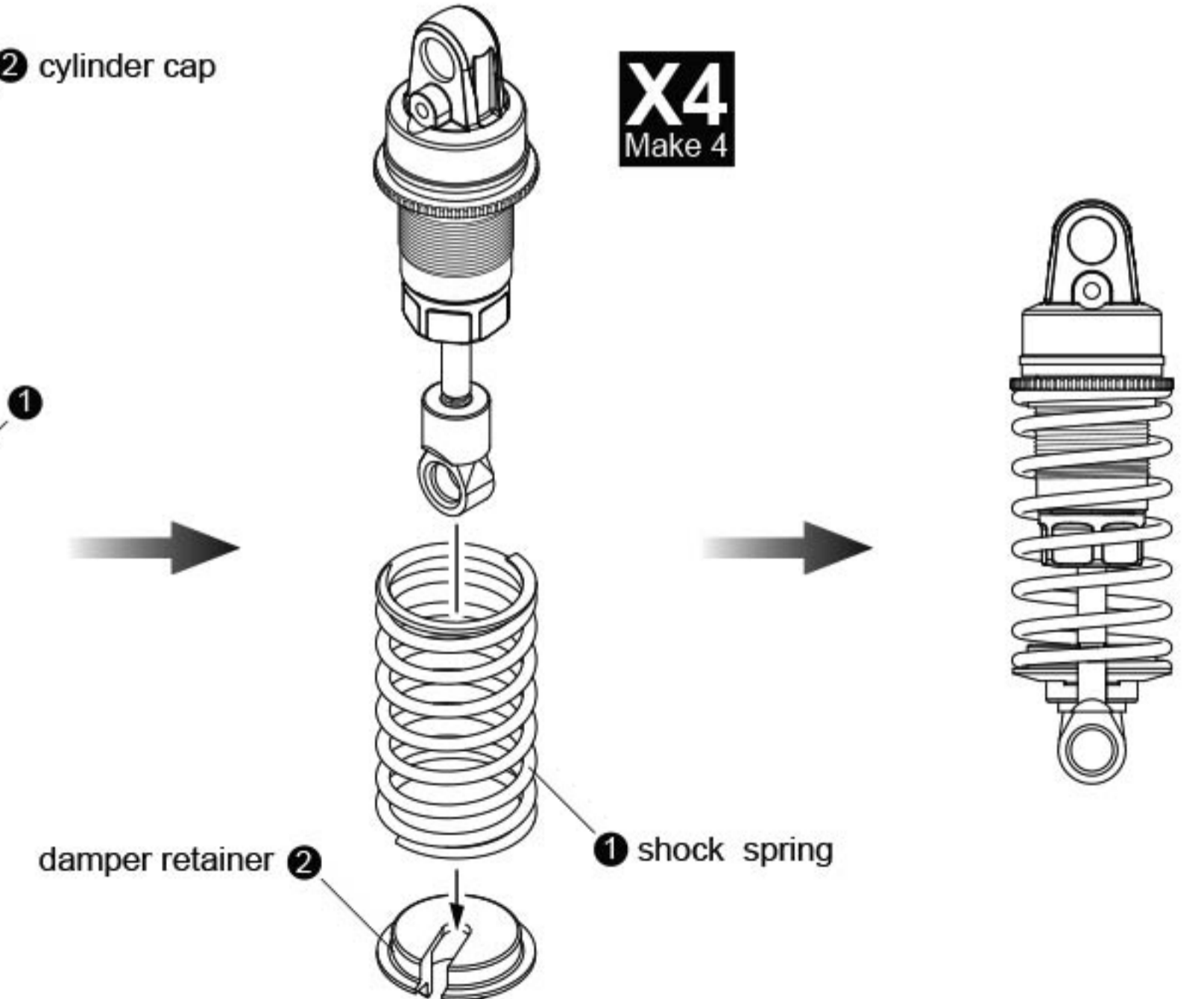
Pull down piston and pour oil into cylinder.
Remove air bubbles by slowly moving piston up and down.
拉下活塞並填入砂油，緩慢上下移動活塞將氣泡移除。



Pull down piston rod 3mm, attach oil seal and absorb oil overflow with tissue paper.
將軸心下拉3mm後，蓋上氣室並以面紙拭去溢出的砂油。



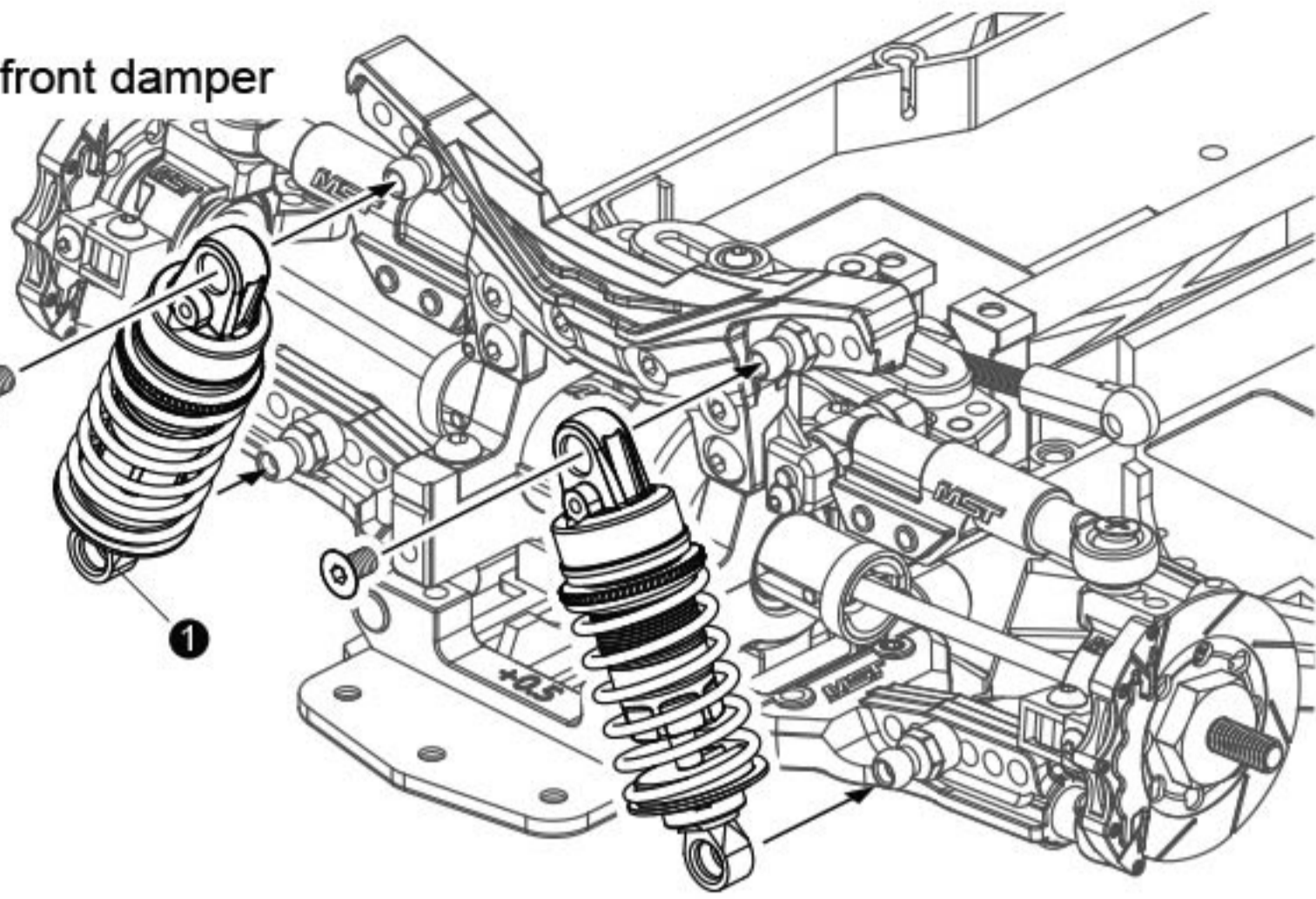
X4
Make 4



STEP 2 Attaching front damper
安裝前避震器

FRONT ▶

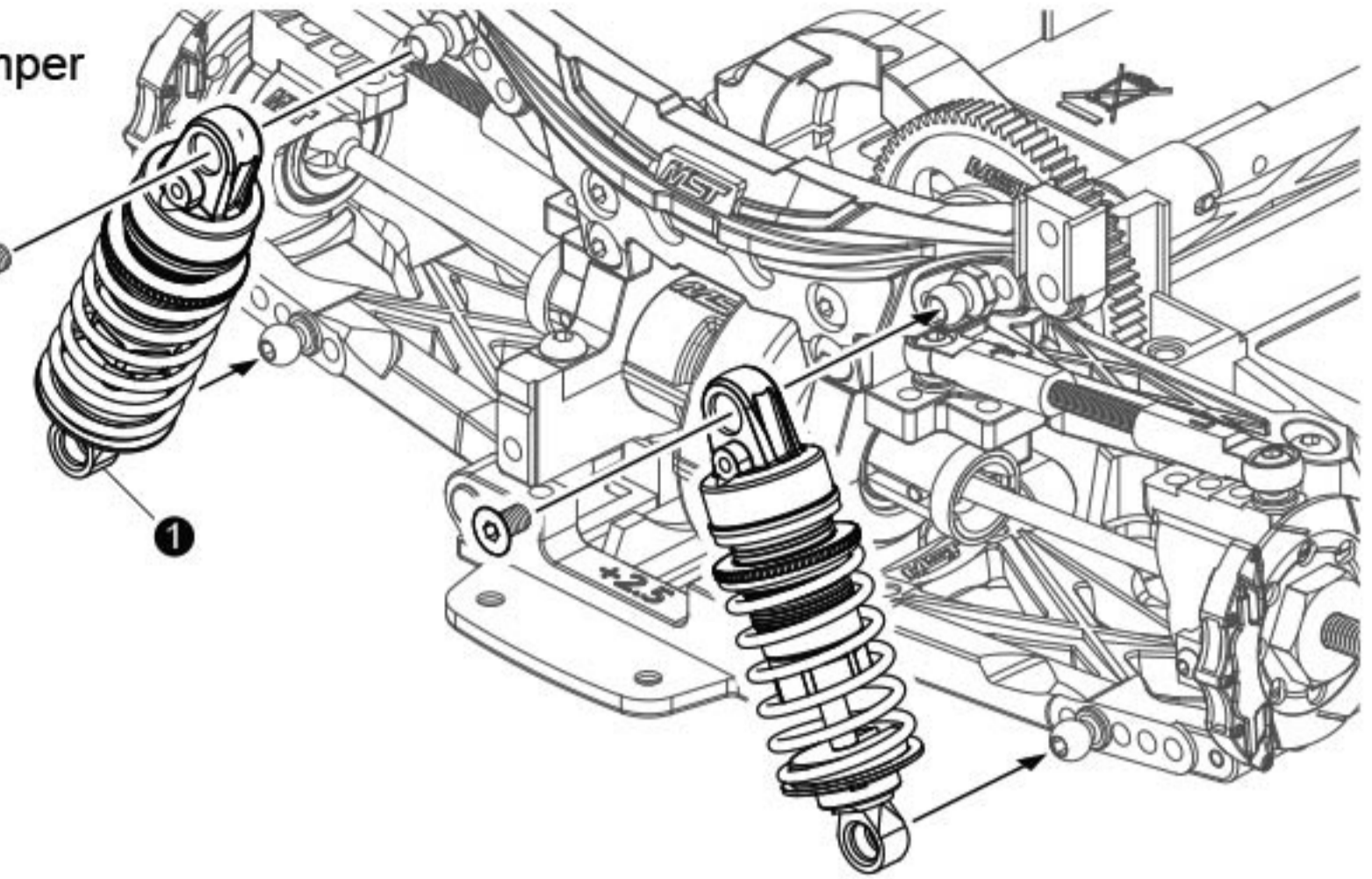
M3×5 ②



STEP 3 Attaching rear damper
安裝後避震器

REAR ▶

M3×5 ②

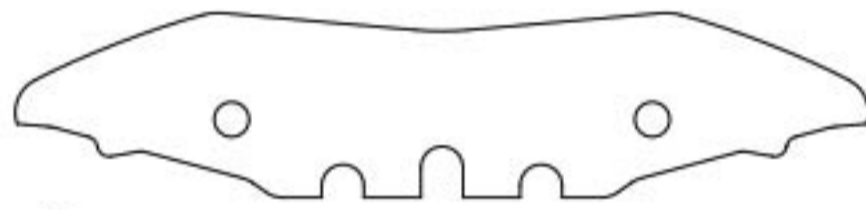


PARTS BAG

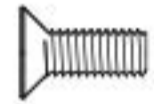
15

BUMPER, BODY MOUNTS

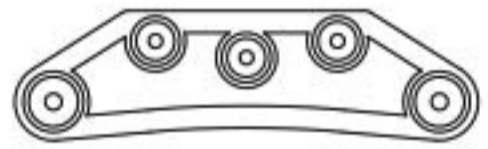
防撞泡棉, 車殼固定座



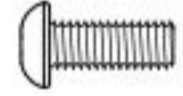
Bumper ×1
防撞泡棉



M3×8 screw ×5
沉頭螺絲



Bumper mount ×1
防撞板下座



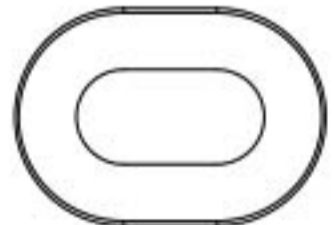
M3×8 screw ×4
圓頭螺絲



Bumper support ×1
防撞板上座

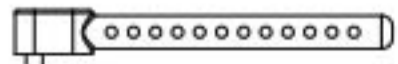


R-clip ×2
R形扣



body support ×4
浮動架

2×11.8 pin ×4
插銷



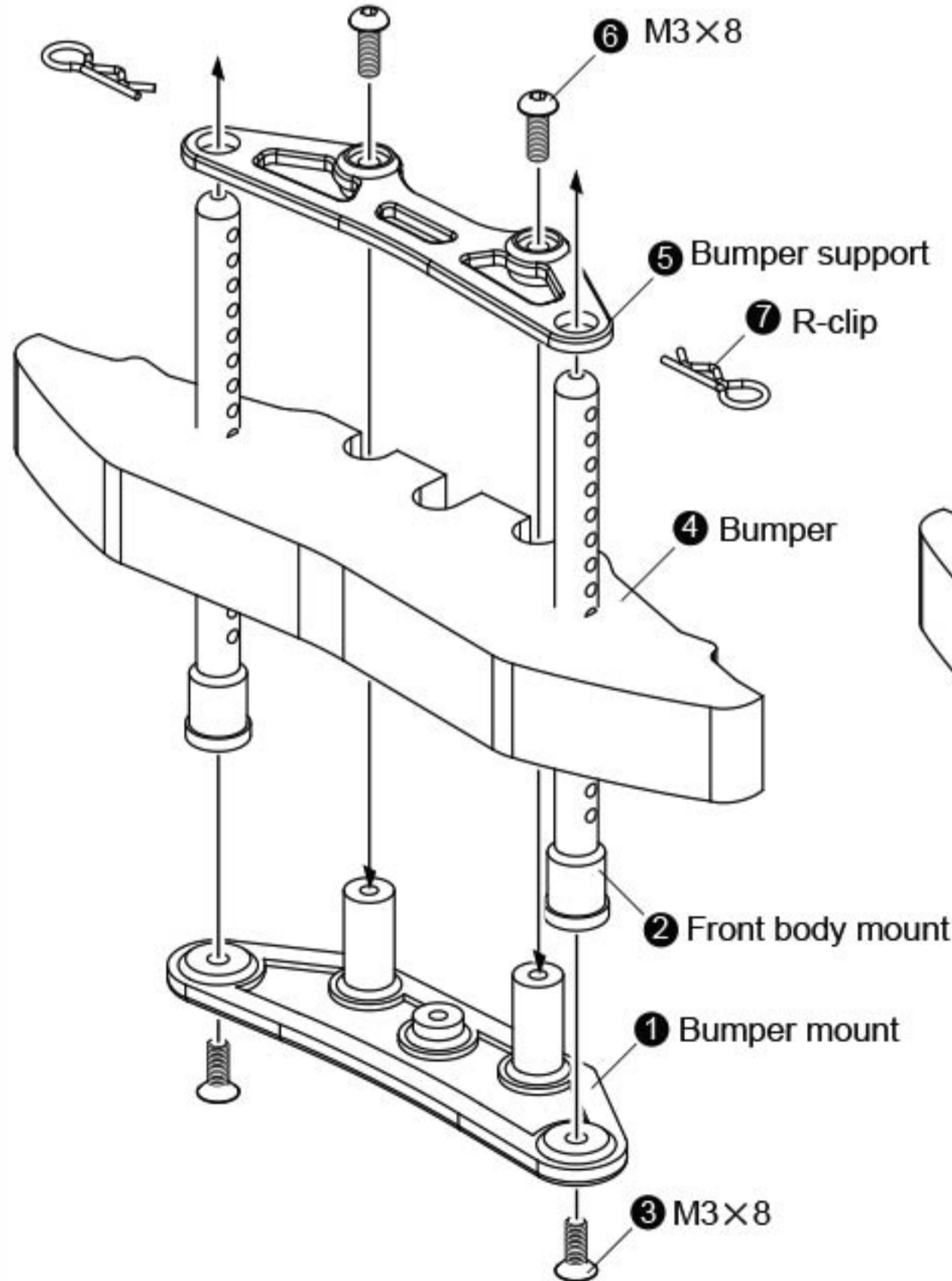
Rear body mount ×2
後車殼支柱



Front body mount ×2
前車殼支柱

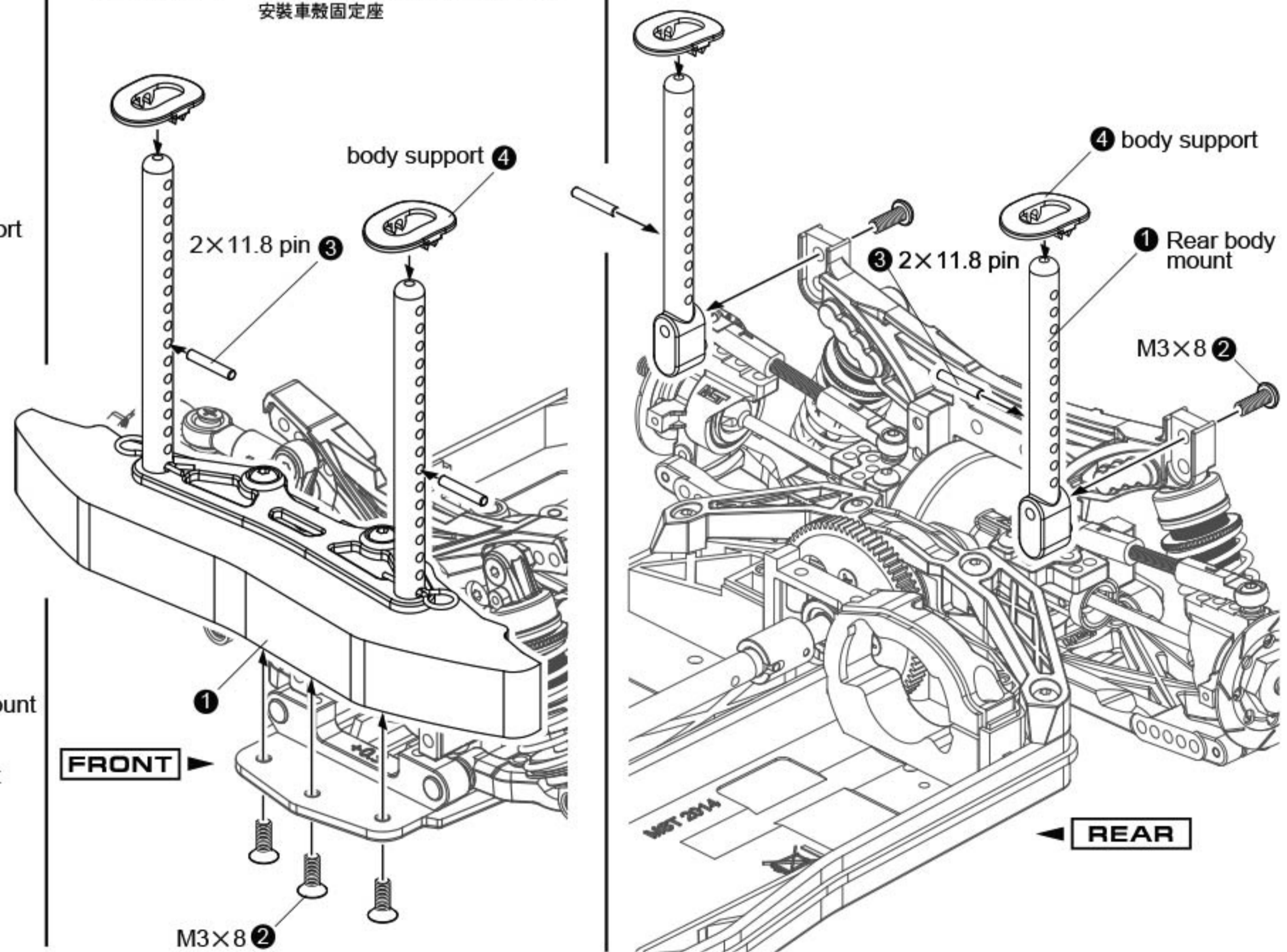
STEP 1 Bumper assembly
前防撞板組裝

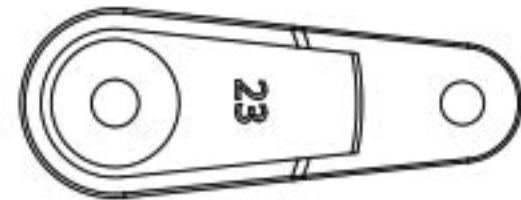
前防撞板組裝



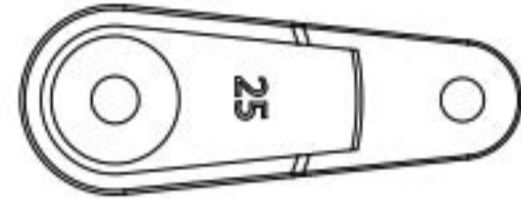
STEP 2 Attaching body mounts
安裝車殼固定座

安裝車殼固定座





Servo horn 23T × 1
23T 伺服機片



Servo horn 25T × 1
25T 伺服機片



Servo mount × 2
伺服機座



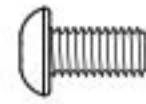
3×6×0.5 spacer × 2
墊片



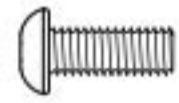
3×8×0.5 spacer × 1
墊片



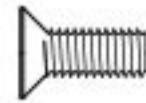
4.8 Copper hex ball × 1
銅製外六角球頭



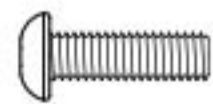
M3×6 screw × 2
圓頭螺絲



M3×8 screw × 1
圓頭螺絲

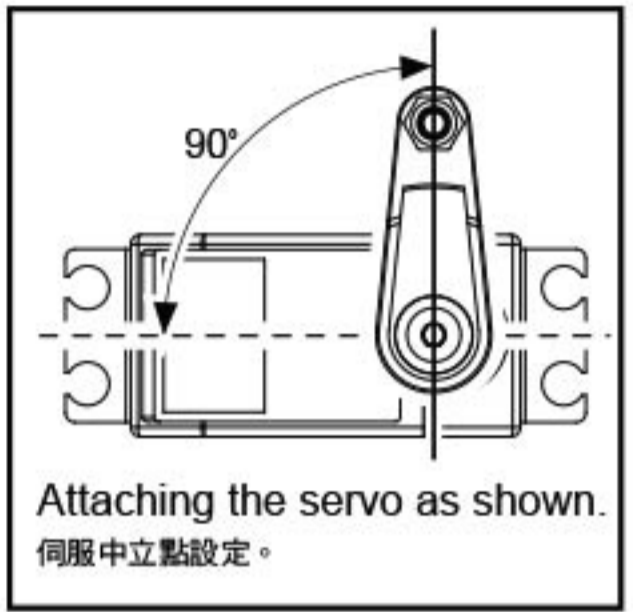
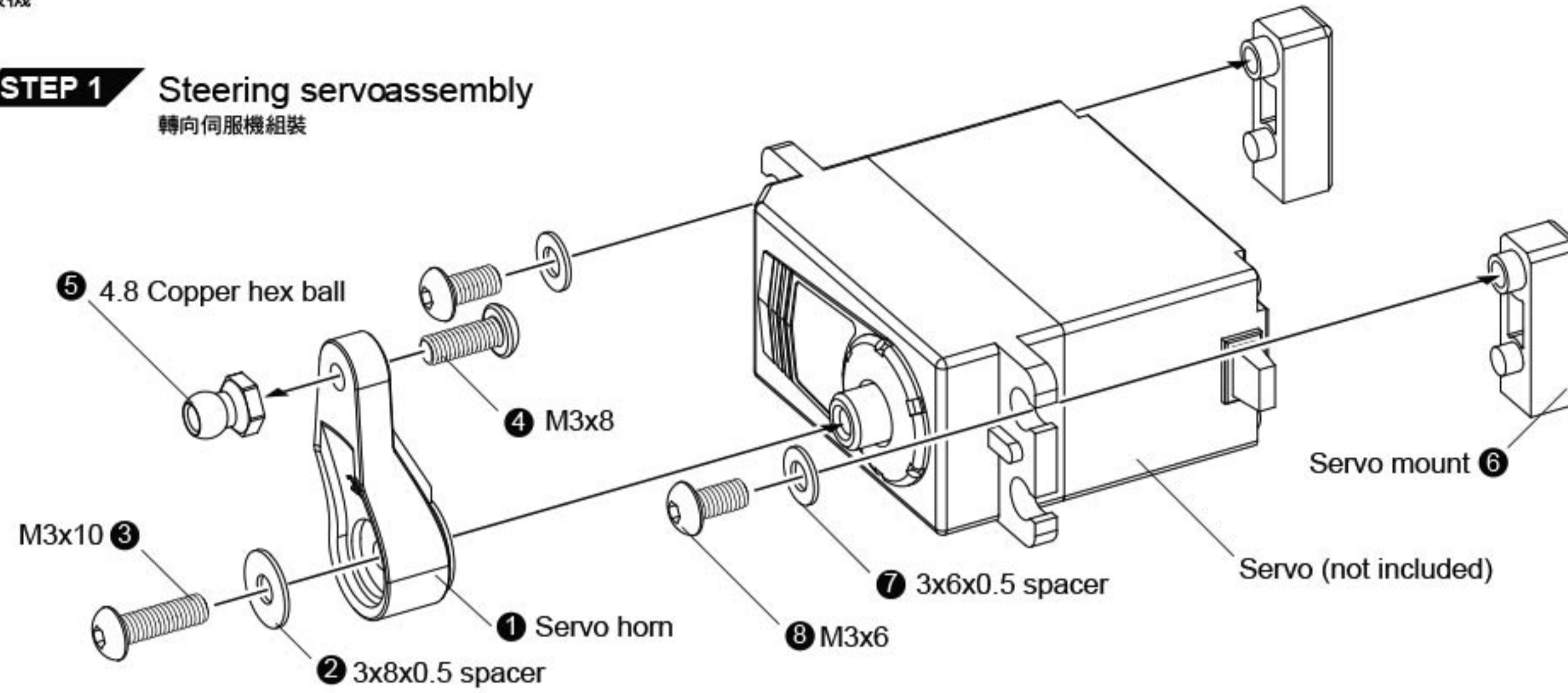


M3×8 screw × 2
沉頭螺絲

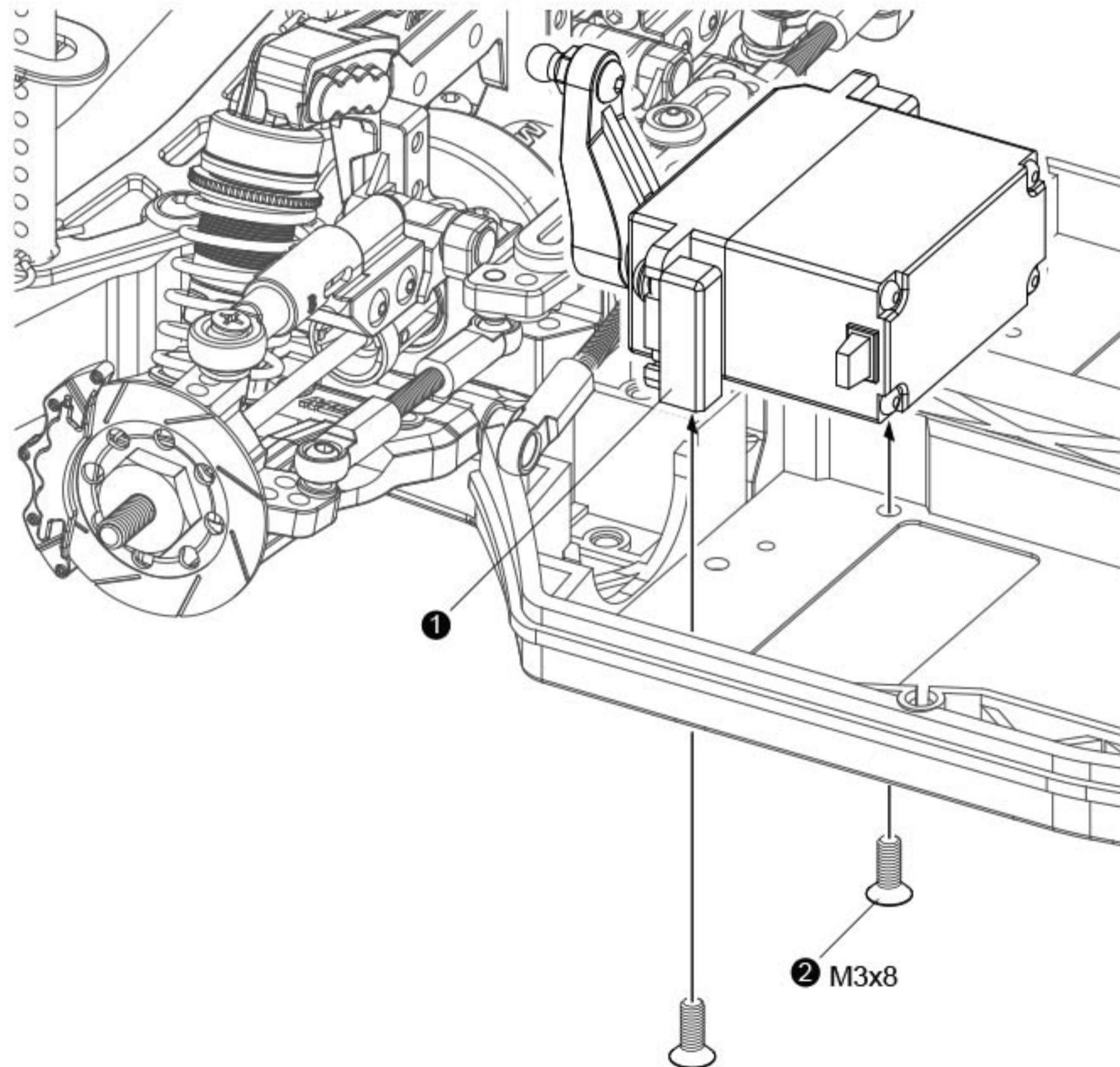


M3×10 screw × 1
圓頭螺絲

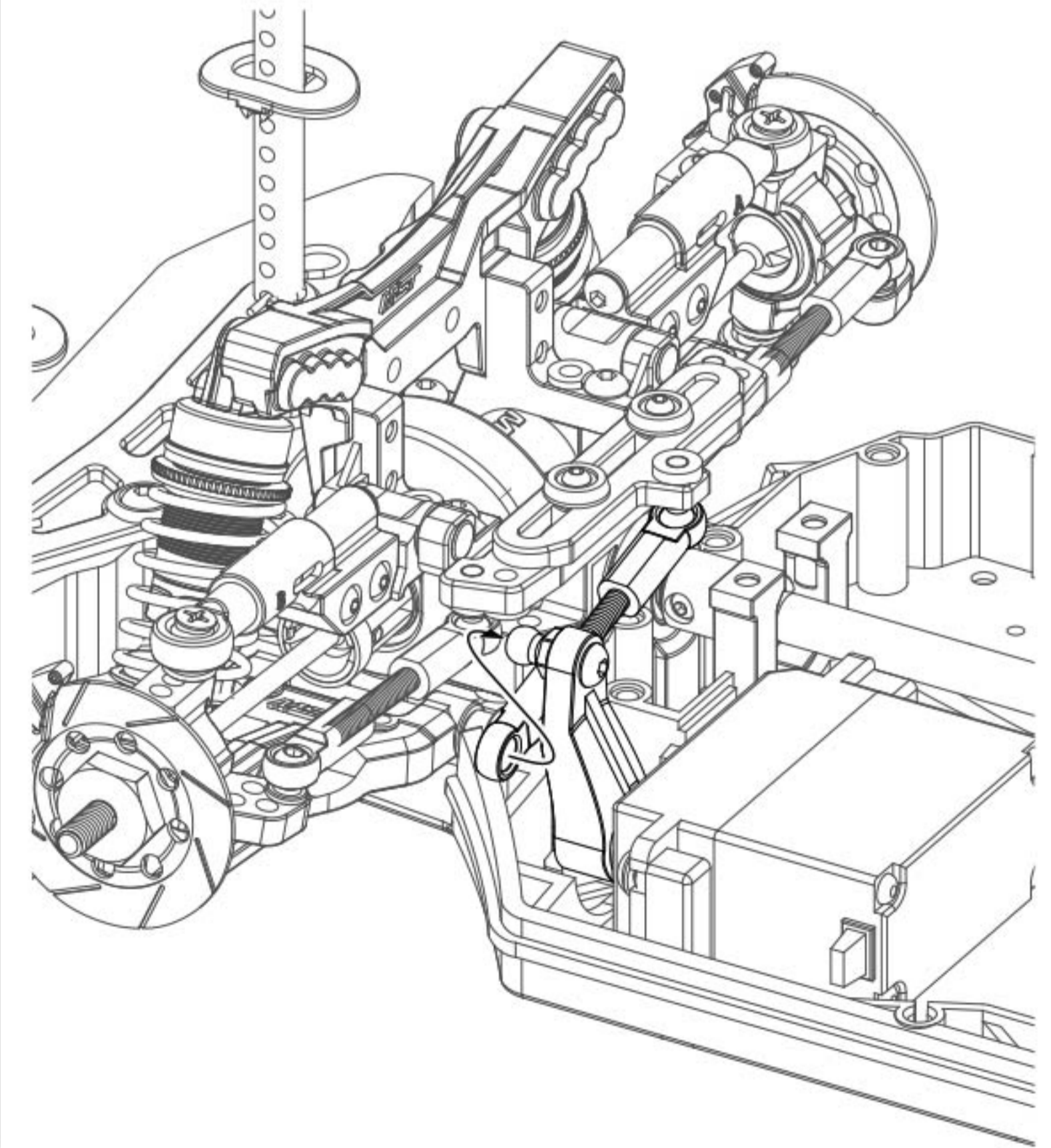
STEP 1 Steering servoassembly
轉向伺服機組裝

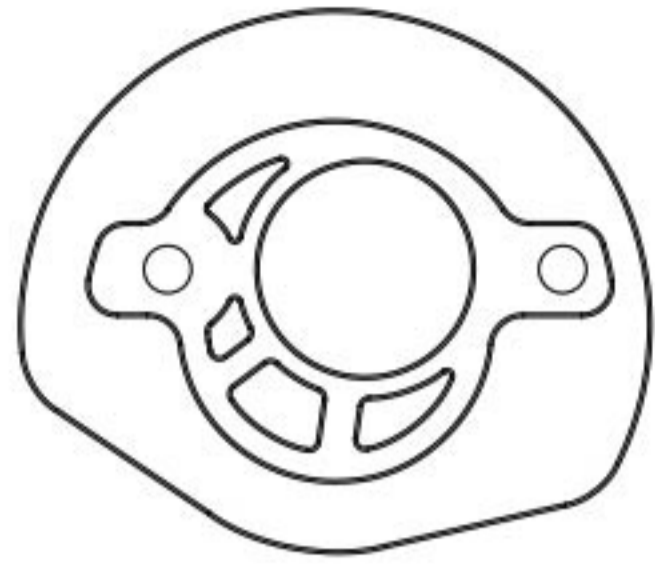


STEP 2 Attaching steering servo
安裝轉向伺服

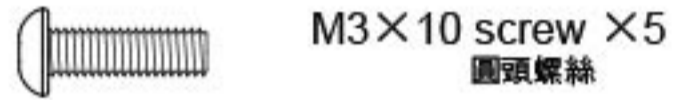


STEP 3

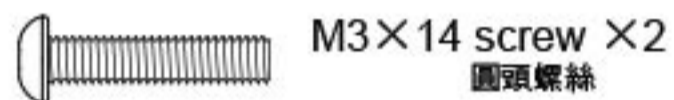




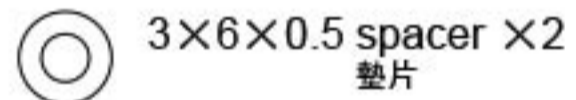
XXX eccentric motor mount × 1
XXX 偏心式馬達固定座



M3×10 screw × 5
圓頭螺絲



M3×14 screw × 2
圓頭螺絲

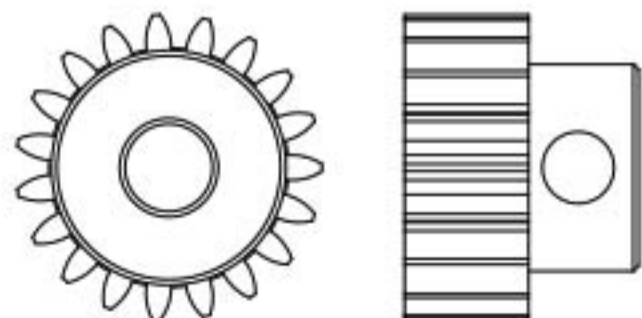


3×6×0.5 spacer × 2
墊片



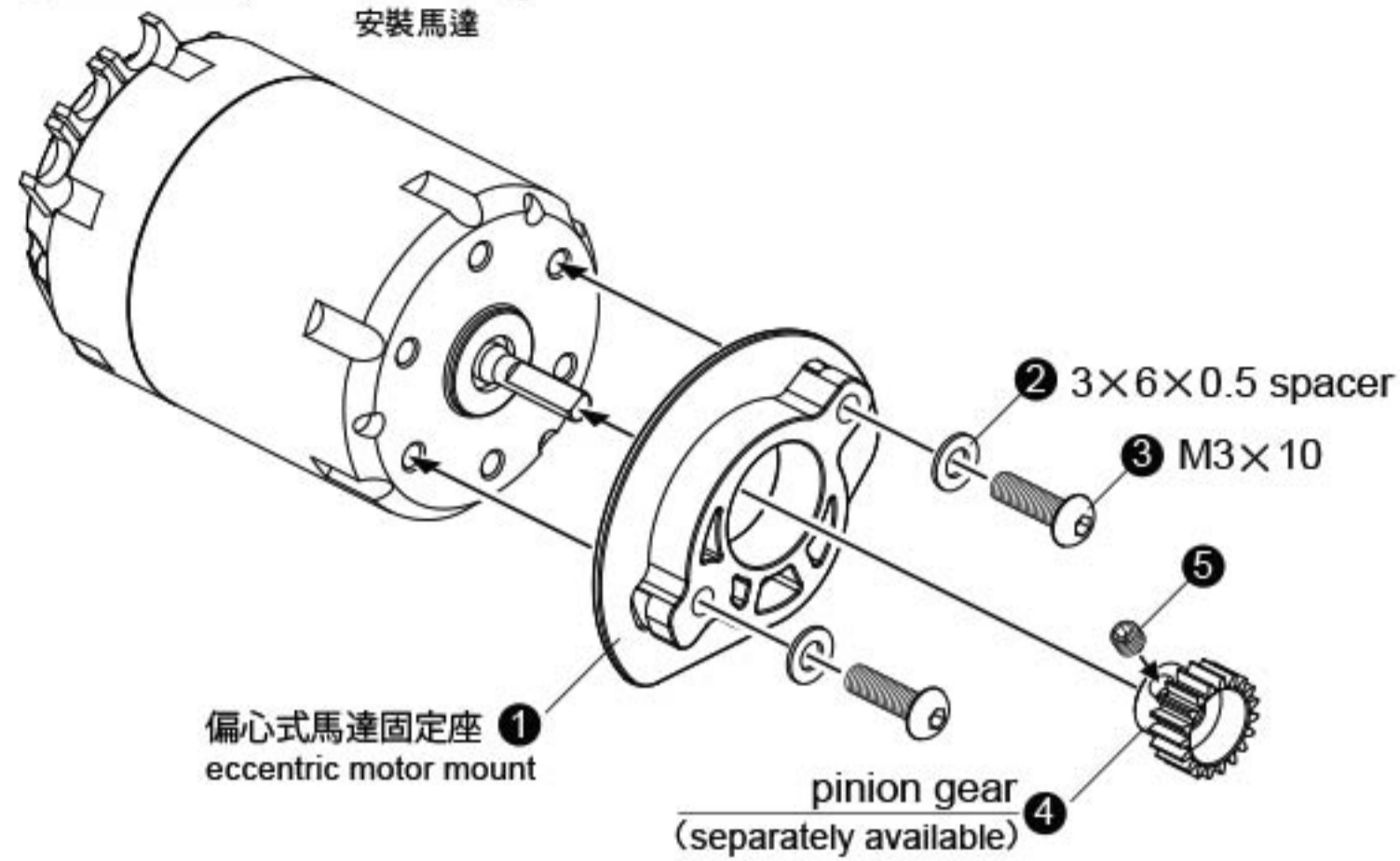
XXX Brace × 1
XXX 補強架

ADDITIONAL PURCHASE

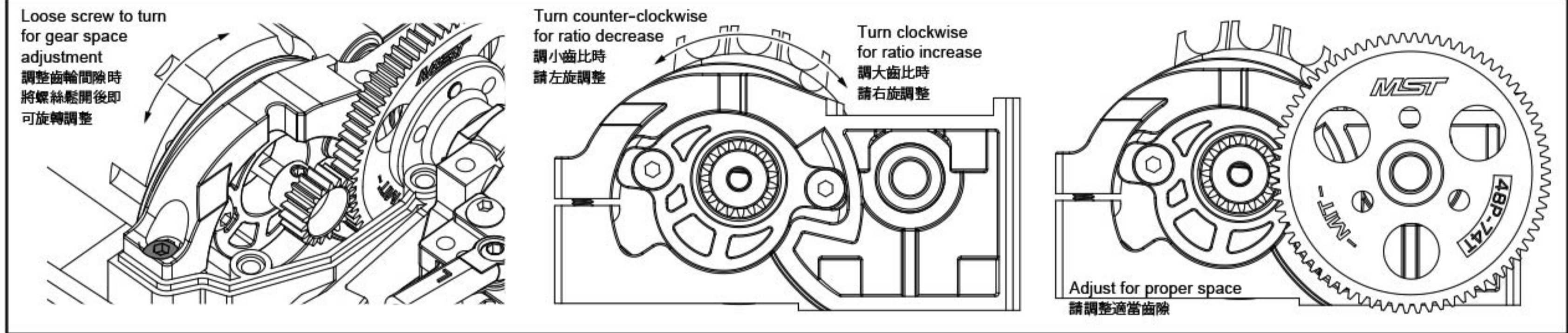
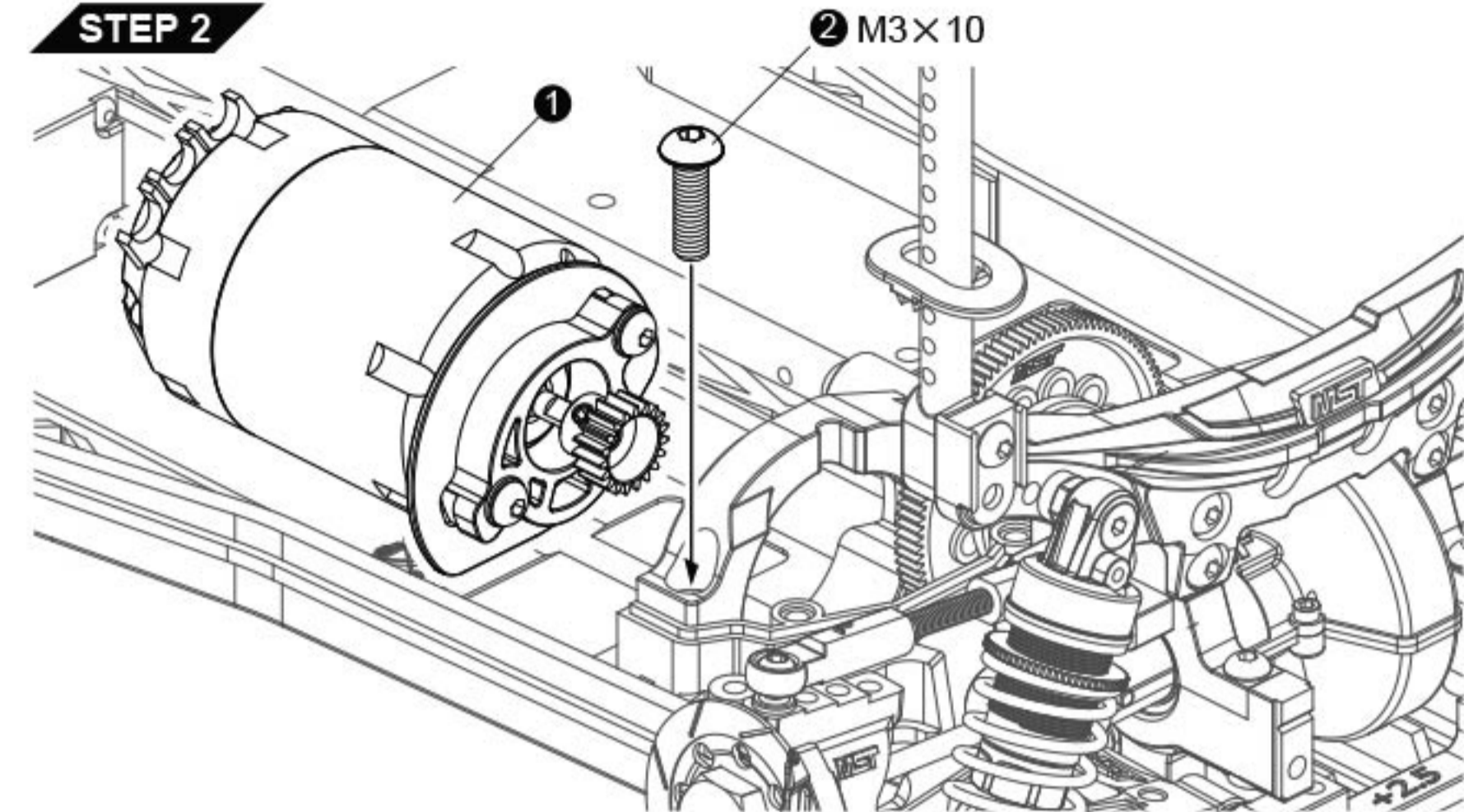


148017-148025
MST 48P Pinion gear 17T-25T
MST 48P 馬達齒 17T-25T

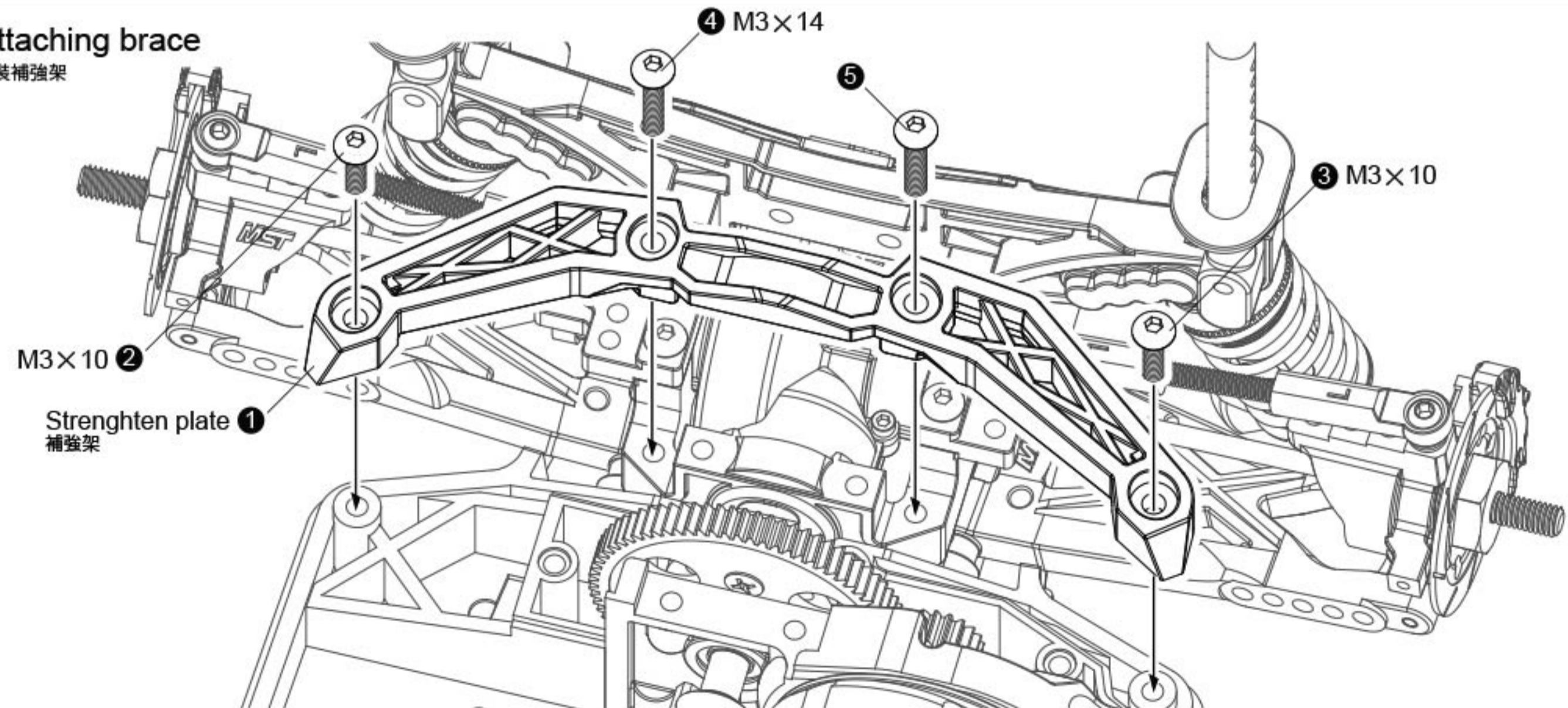
STEP 1 Attaching motor
安裝馬達



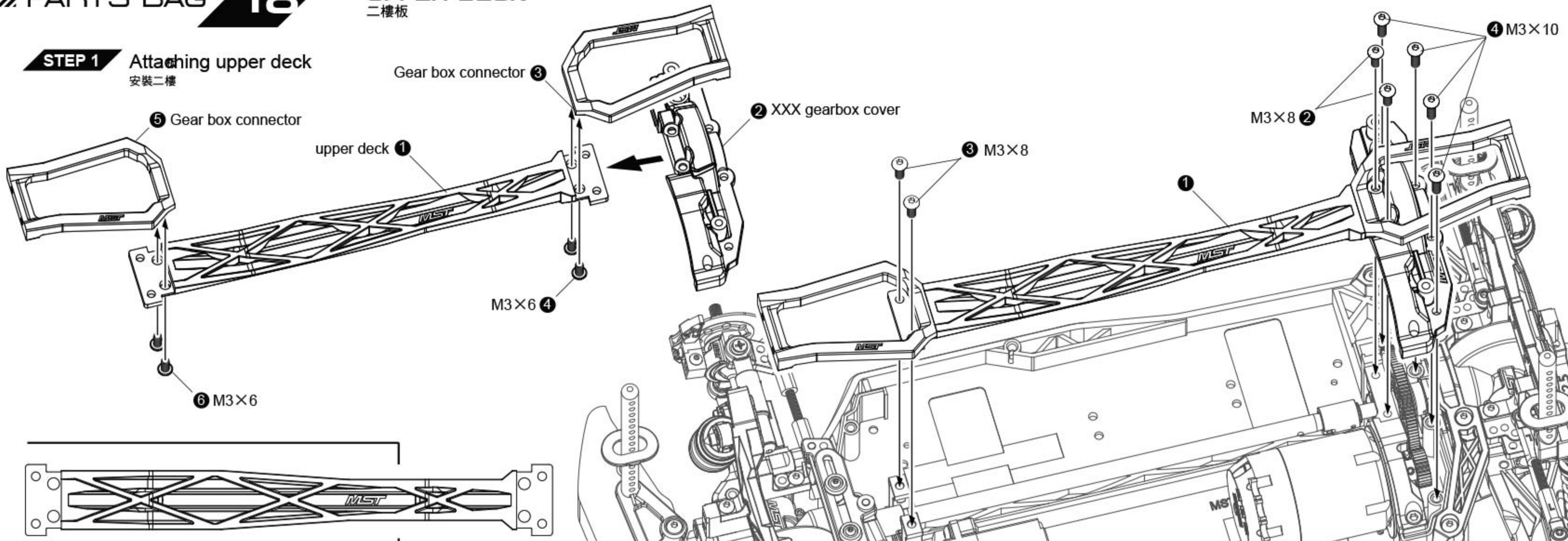
STEP 2



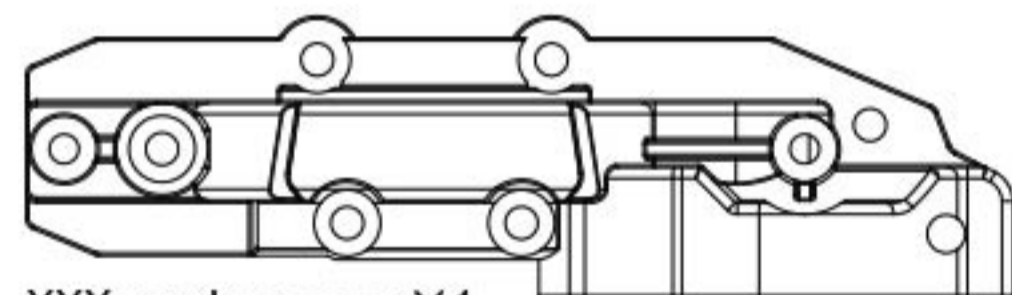
STEP 3 Attaching brace
安裝補強架



STEP 1 Attaching upper deck
安裝二樓



XXX upper deck × 1
二樓板



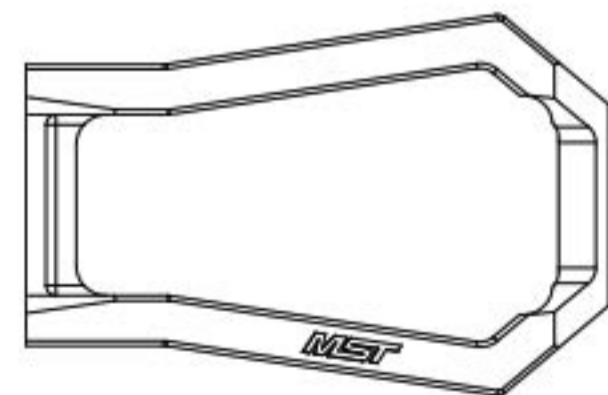
XXX gearbox cover × 1
齒箱防塵殼



M3×6 screw × 8
圓頭螺絲



M3×8 screw × 4
圓頭螺絲

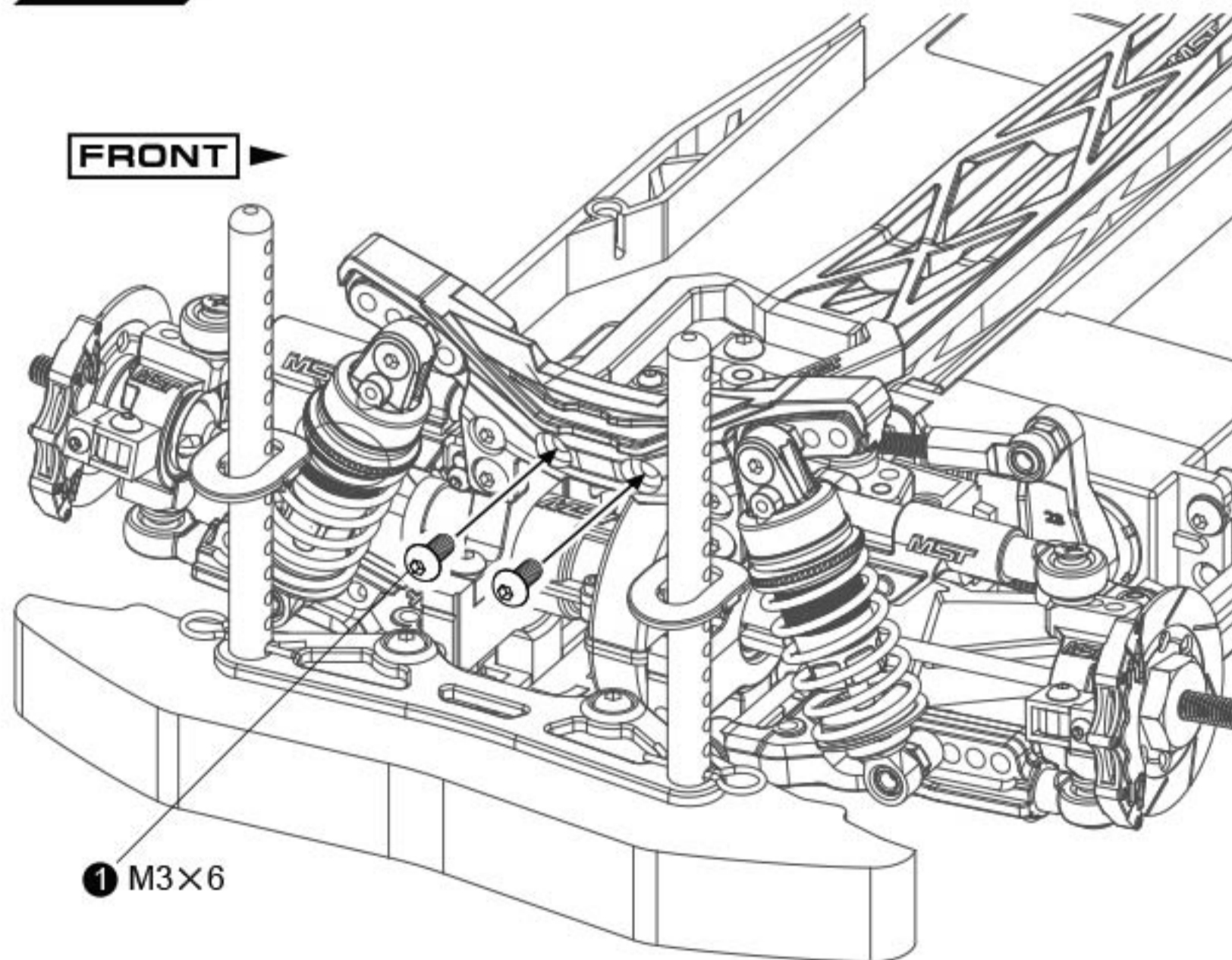


Gear box connector × 2
連結架



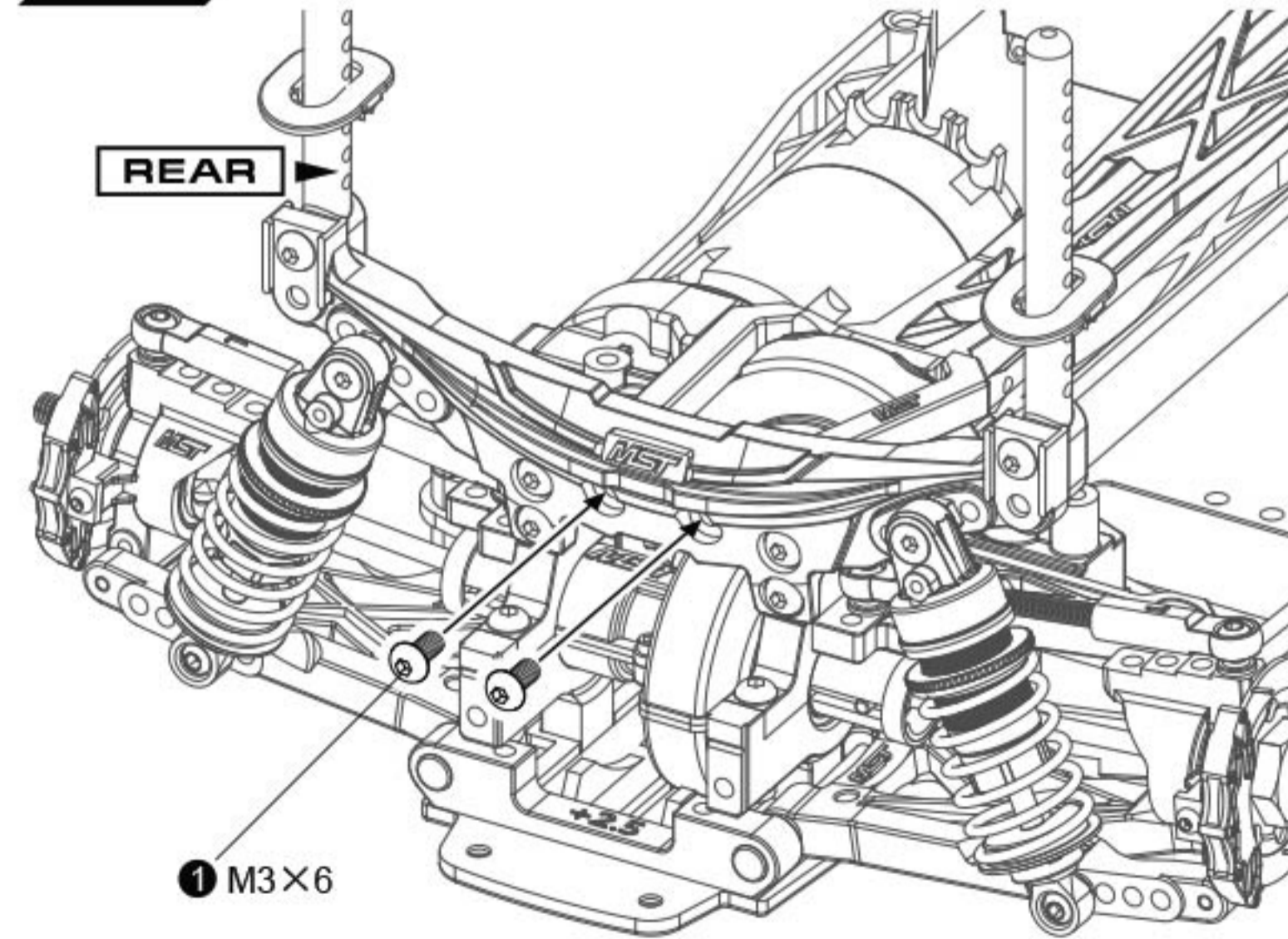
M3×10 screw × 4
圓頭螺絲

STEP 2



1 M3×6

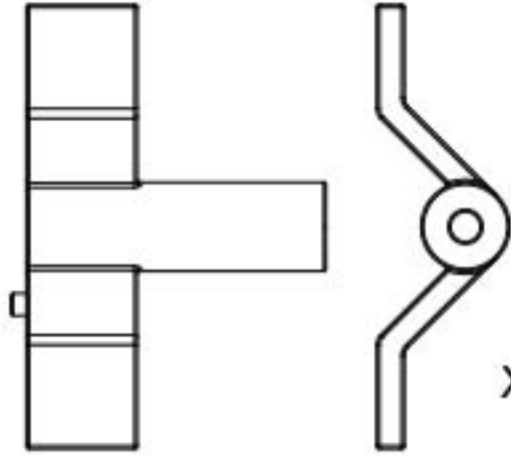
STEP 3



1 M3×6



XXX Battery strap ×1
XXX 電池壓板



XXX Battery mount ×2
電池座



M3×9 Hex.pillar ×2
壓板六角柱



M3×8 screw ×2
止付螺絲



R-clip ×2
R形扣

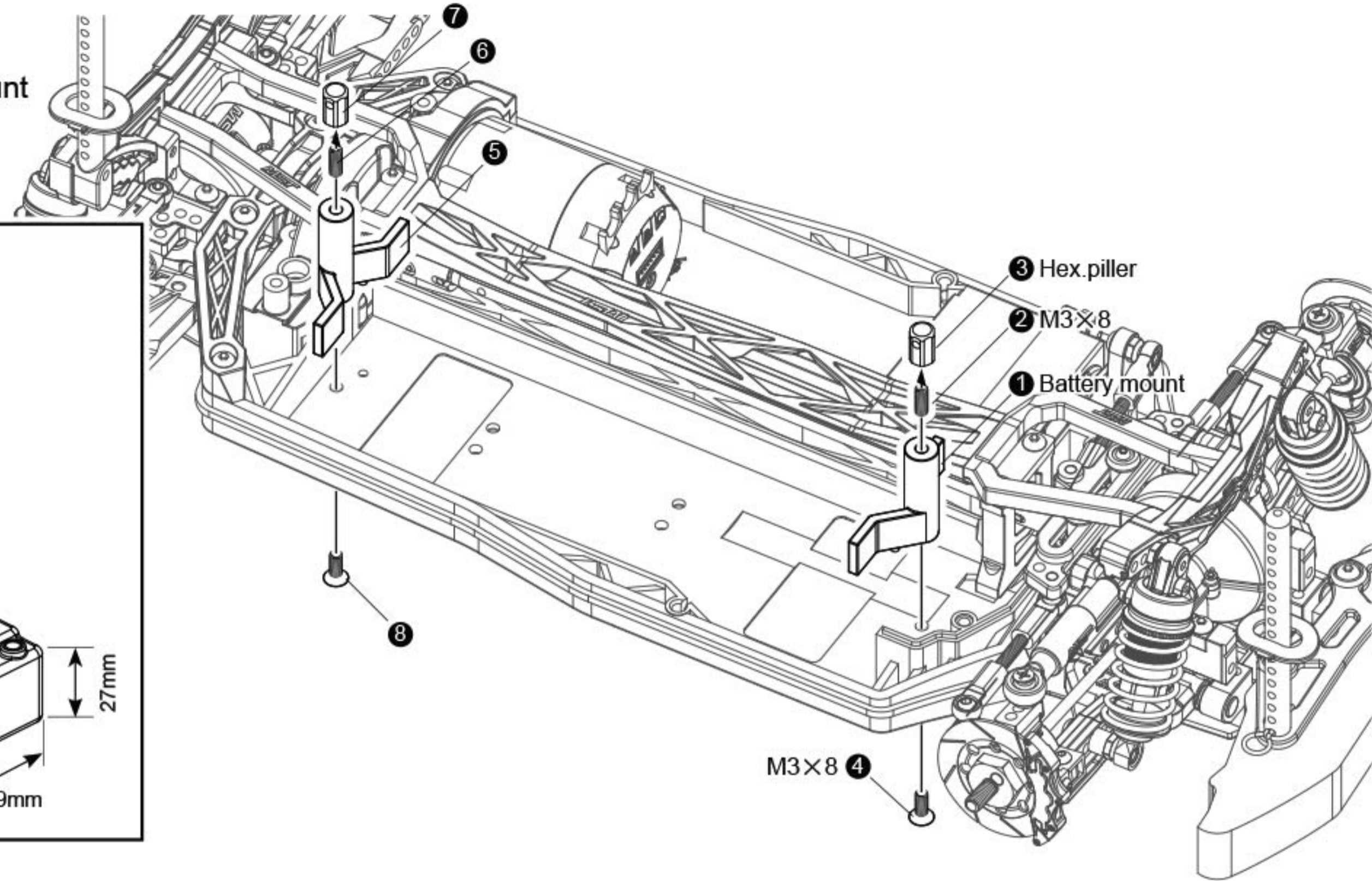
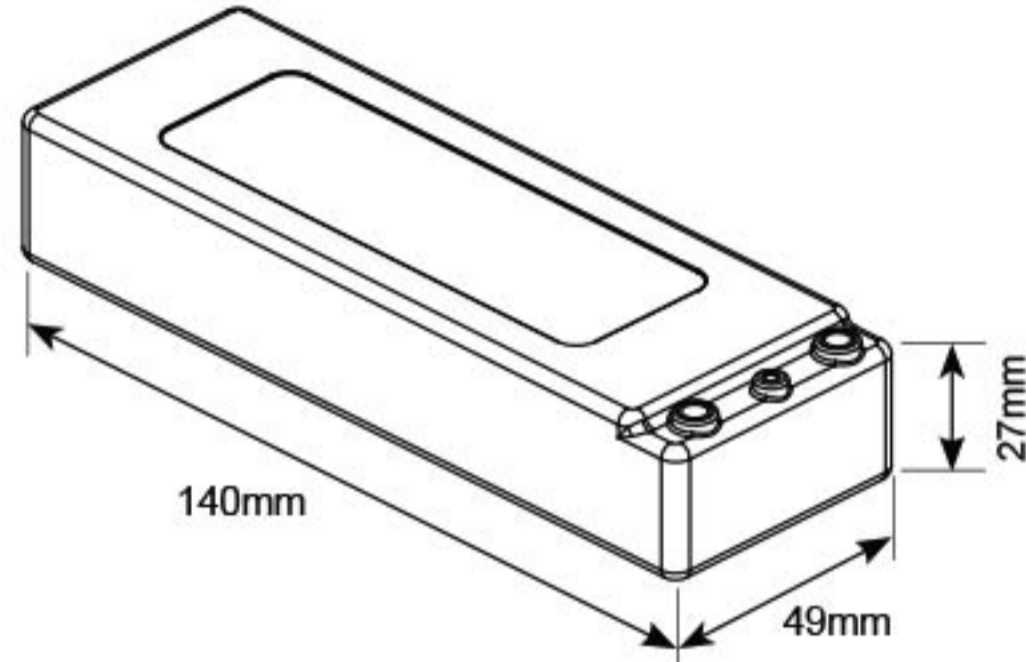


M3×8 screw ×2
沉頭螺絲

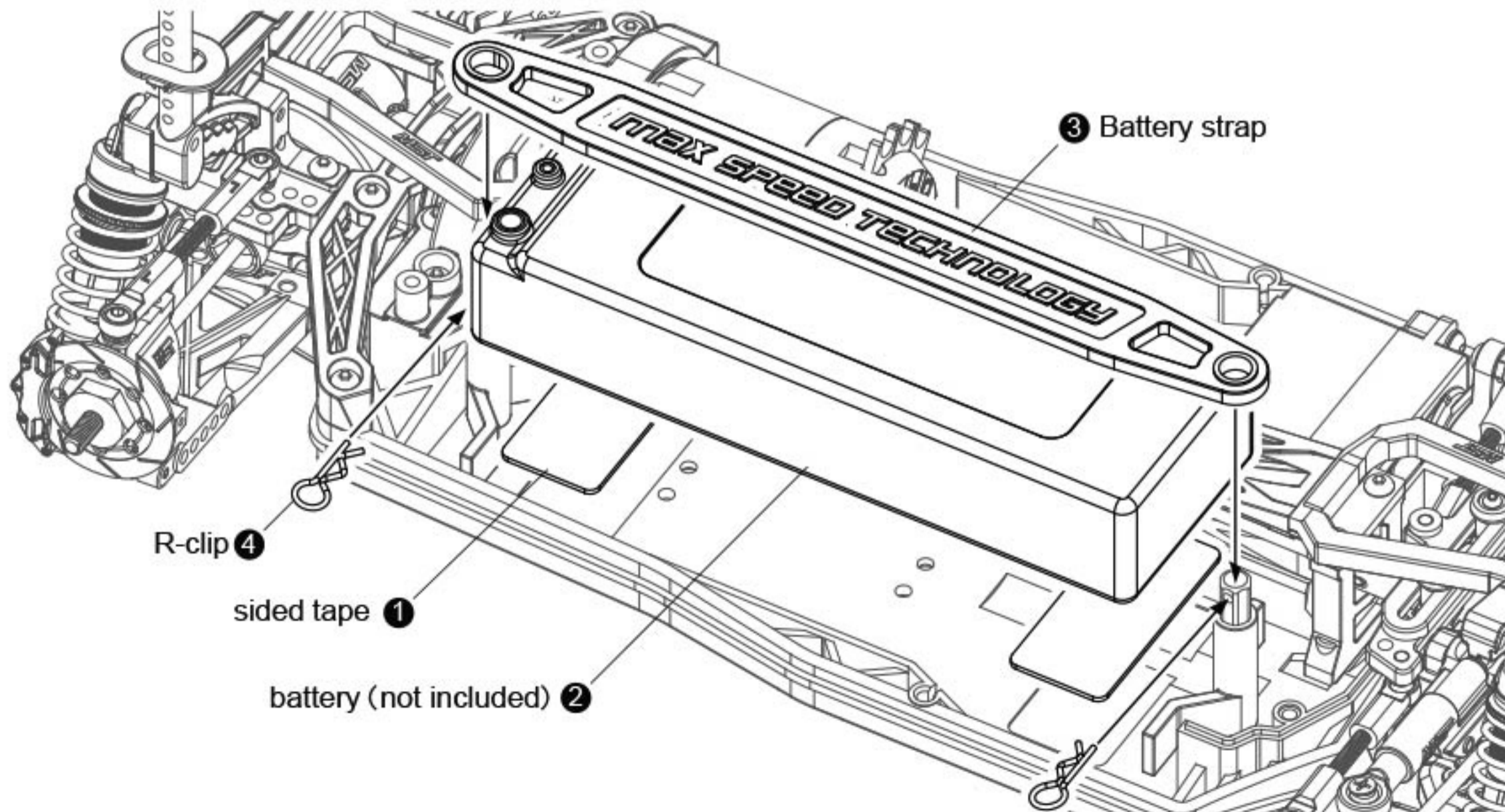
STEP 1 Attaching battery mount
安裝電池座

The assembly and conservation method may be different by specification of battery.
電池的安裝方式會因廠牌規格而有些微差異，電池的使用方式與保存方式，也會因電池的種類而有所不同。

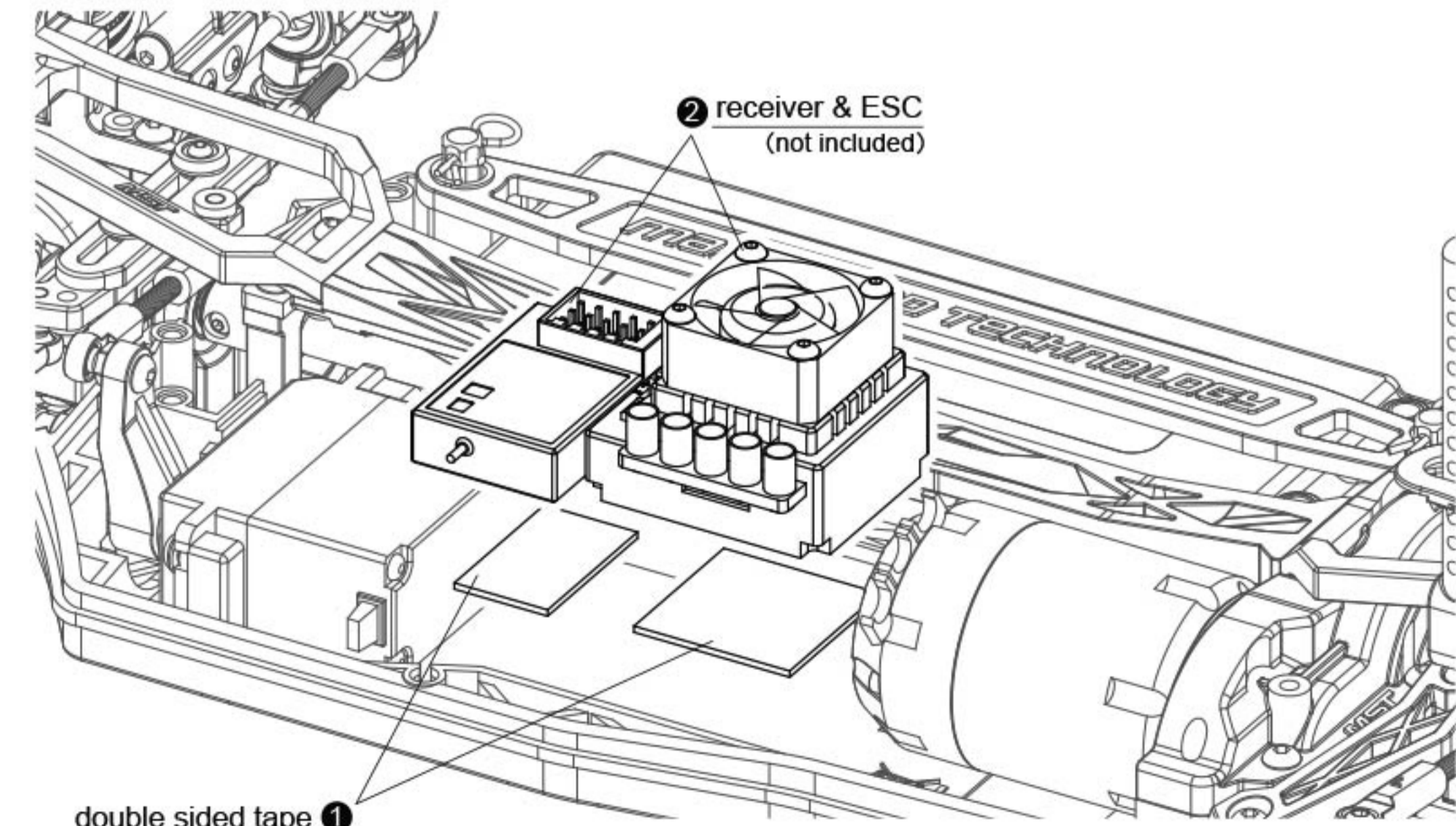
Recommended battery measurement
L140×W49×H27mm (not exceed)
建議安裝(長140×寬49×高27mm)尺寸以內的電池!



STEP 2 Attaching battery
安裝電池



STEP 3 Attaching receiver & ESC
安裝接收機 & 電子變速器





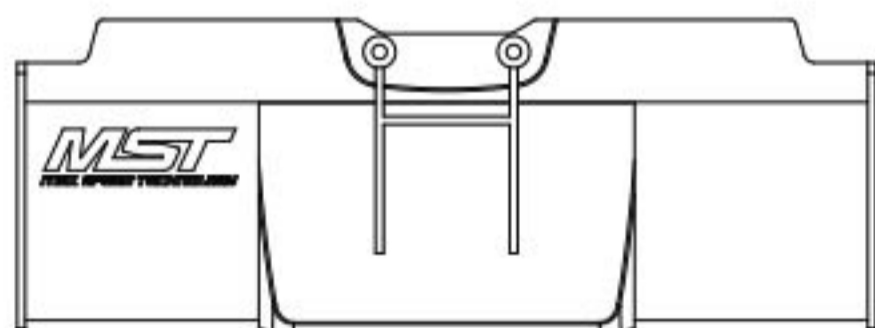
CS-R Tire ×4
CS-R 甩尾胎

※ Please make the object as the standard.
請以實物為主。

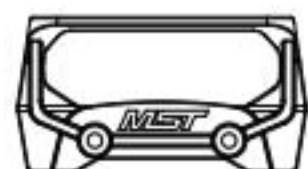


M4 flange nut ×4
M4 凸緣螺帽

OPTIONAL PARTS



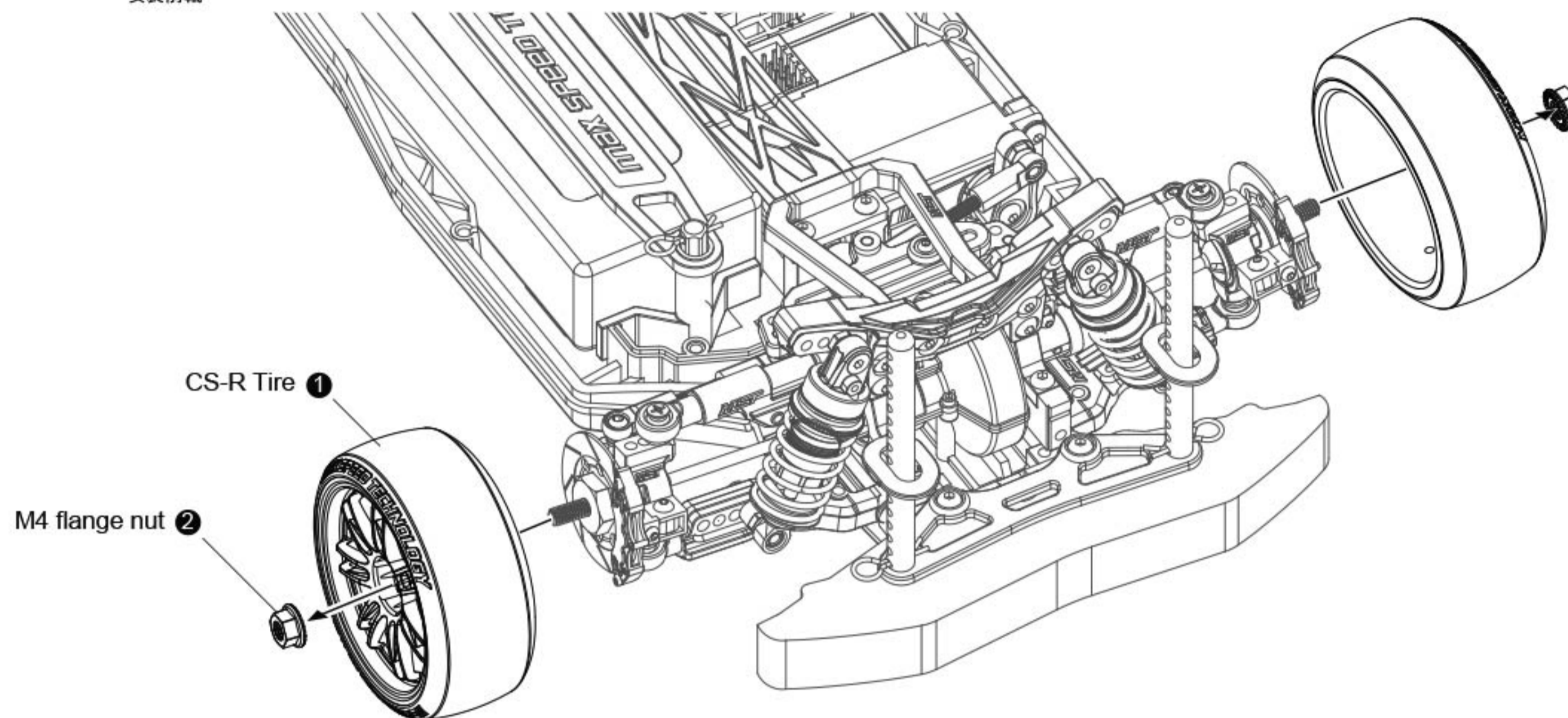
210282 MST Diffuser
後擾流板



210379 Rear bumper
後防撞板

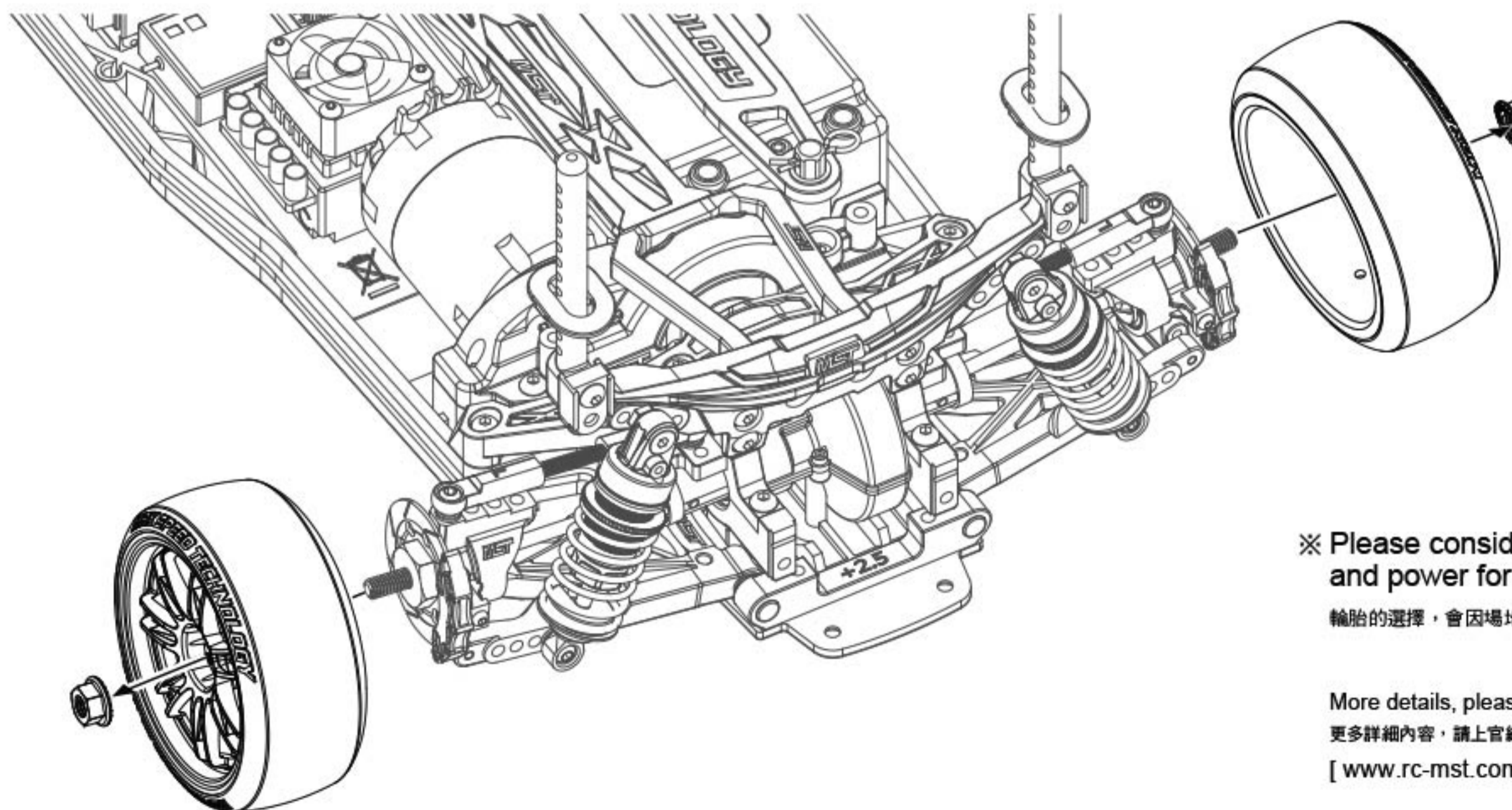
STEP 1 Attaching front wheels

安裝前輪



STEP 2 Attaching rear wheels

安裝後輪



※ Please consider the environment and power for tire choice.

輪胎的選擇，會因場地、動力而有所不同。

More details, please refer to MST website.
更多詳細內容，請上官網。

[www.rc-mst.com]

GEAR RATIO (For 48P Spur Gear)

FINAL DRIVE 32T/18T <1.78>				
	68T	70T	72T	74T
17T				7.74
18T				7.31
19T			6.74	6.92
20T			6.40	6.58
21T		5.93	6.10	6.26
22T		5.66	5.82	5.98
23T	5.26	5.41	5.57	5.72
24T	5.04	5.19	5.33	5.48
25T	4.84	4.98	5.12	5.26
26T	4.65	4.79	4.92	
27T	4.48	4.61	4.74	
28T	4.32	4.44		
29T	4.17	4.29		
30T	4.03			
31T	3.90			

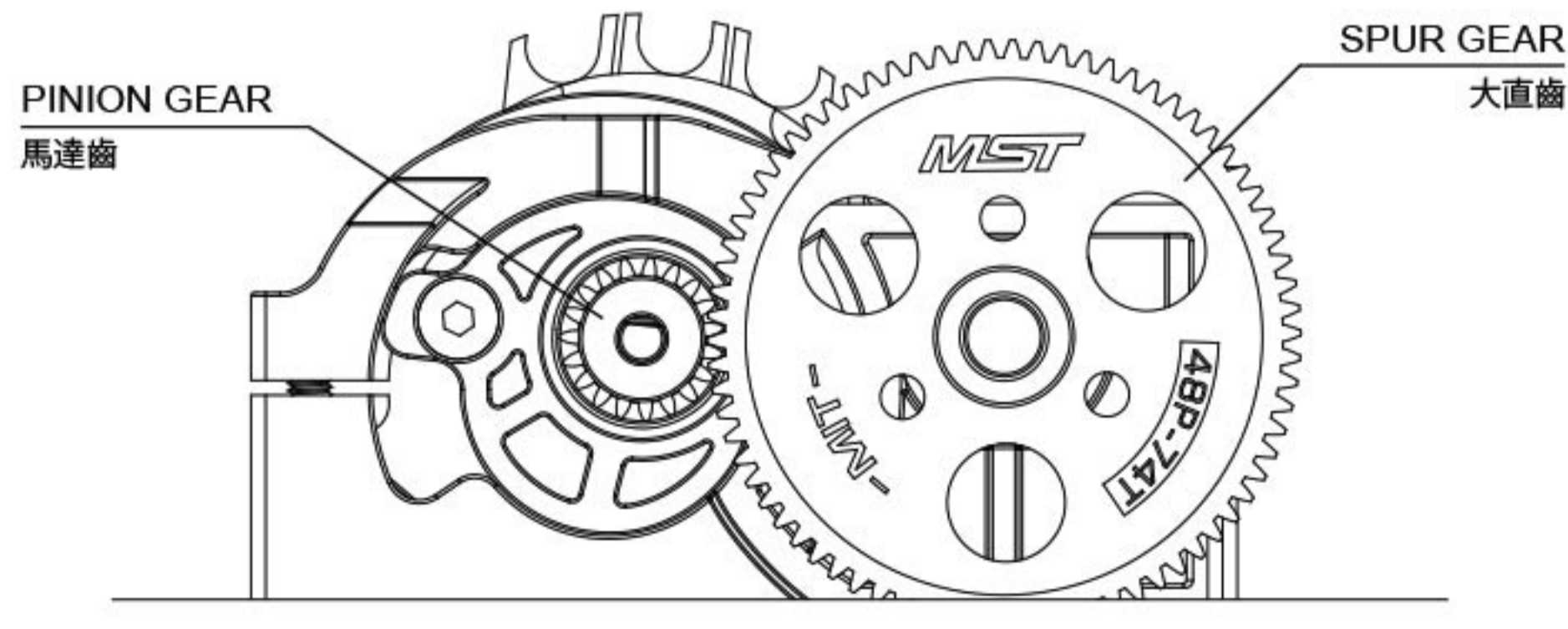
FINAL DRIVE 34T/18T <1.89>				
	68T	70T	72T	74T
17T				8.22
18T				7.77
19T			7.16	7.36
20T			6.80	6.99
21T		6.30	6.48	6.66
22T		6.01	6.18	6.35
23T	5.58	5.75	5.91	6.08
24T	5.35	5.51	5.67	5.82
25T	5.14	5.29	5.44	5.59
26T	4.94	5.09	5.23	
27T	4.76	4.90	5.04	
28T	4.59	4.72		
29T	4.43	4.56		
30T	4.28			
31T	4.14			

FINAL DRIVE 36T/17T <2.12>				
	68T	70T	72T	74T
17T				9.22
18T				8.71
19T			8.02	8.25
20T			7.62	7.84
21T		7.06	7.26	7.46
22T		6.74	6.93	7.12
23T	6.26	6.45	6.63	6.81
24T	6.00	6.18	6.35	6.53
25T	5.76	5.93	6.10	6.27
26T	5.54	5.70	5.86	
27T	5.33	5.49	5.65	
28T	5.14	5.29		
29T	4.97	5.11		
30T	4.80			
31T	4.65			

FINAL DRIVE 40T/16T <2.50>				
	68T	70T	72T	74T
17T				10.88
18T				10.28
19T			9.47	9.74
20T			9.00	9.25
21T		8.33	8.57	8.81
22T		7.95	8.18	8.41
23T	7.39	7.61	7.83	8.04
24T	7.08	7.29	7.50	7.71
25T	6.80	7.00	7.20	7.40
26T	6.54	6.73	6.92	
27T	6.30	6.48	6.67	
28T	6.07	6.25		
29T	5.86	6.03		
30T	5.67			
31T	5.48			

* FORMULA 計算公式

$$\left(\frac{\text{Spur gear teeth (大直齒)}}{\text{Pinion gear teeth (馬達齒)}} \times \frac{\text{Diff. ring gear (大傘齒)}}{\text{Diff. pinion gear (小傘齒)}} \right) = \text{Gear ratio (終傳比)}$$



CS RATIO

REAR GEAR BOX 後齒箱		FRONT GEAR BOX 前齒箱			
2nd REDUCTION RATE 二次減速比	PARTS CODE	210034	210025	210035	210036
	32T/18T <1.78>	1:1.19	1:1.40	1:1.73	1:2.15
34T/18T <1.89>	210069	1:1.12	1:1.32	1:1.63	1:2.02
36T/17T <2.12>	210034	1:1	1:1.18	1:1.45	1:1.80
40T/16T <2.50>	210025	X	1:1	1:1.23	1:1.53



XXX-DS
1/10 SCALE RC 4WD HIGH PERFORMANCE DRIFT CAR

**INSTRUCTION
MANUAL**

www.rc-mst.com
[facebook.com/MST.tw]



Max Speed Technology

